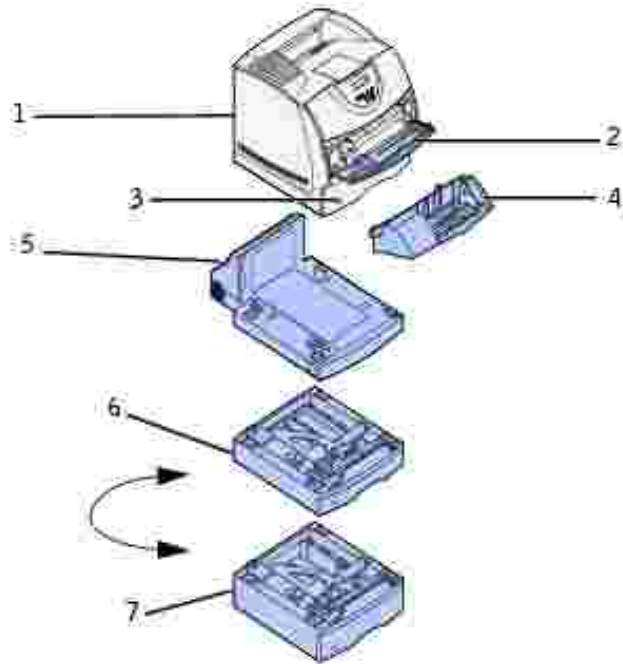


Dell™ Workgroup Laser Printer W5300 User's Guide

Click the links to the left for information on the features, options, and operation of your printer. For information on other documentation included with your printer, see [Finding information](#).



1	Printer
2	Multipurpose feeder
3	Standard 500-sheet tray
4	Optional envelope feeder
5	Optional duplex unit
6	Optional 250-sheet drawer with tray
7	Optional 500-sheet drawer with tray

To order replacement toner cartridges or supplies from Dell:

1. Double-click the icon on your desktop.






2. Visit Dell's website, or order Dell printer supplies by phone.

www.dell.com/supplies

For best service, have your Dell printer Service Tag available.

For help locating your Service Tag number, see [Express Service Code and Service Tag number](#).

Notes, Notices, and Cautions

-  **NOTE:** A NOTE indicates important information that helps you make better use of your printer.
-  **NOTICE:** A NOTICE indicates either potential damage to hardware or loss of data and tells you how to avoid the problem.
-  **CAUTION:** A CAUTION indicates a potential for property damage, personal injury, or death.

Information in this document is subject to change without notice.
© 2003 Dell Computer Corporation. All rights reserved.

Reproduction in any manner whatsoever without the written permission of Dell Computer Corporation is strictly forbidden.

Trademarks used in this text: *Dell* and the *DELL* logo are trademarks of Dell Computer Corporation; *Microsoft*, *Windows*, and *Windows NT* are registered trademarks of Microsoft Corporation; ENERGY STAR is a registered trademark of the U.S. Environmental Protection Agency. As an ENERGY STAR Partner, Dell Computer Corporation has determined that this product meets the ENERGY STAR guidelines for energy efficiency.

Other trademarks and trade names may be used in this document to refer to either the entities claiming the marks and names or their products. Dell Computer Corporation disclaims any proprietary interest in trademarks and trade names other than its own.

UNITED STATES GOVERNMENT RESTRICTED RIGHTS

This software and documentation are provided with RESTRICTED RIGHTS. Use, duplication or disclosure by the Government is subject to restrictions as set forth in subparagraph (c)(1)(ii) of the Rights in Technical Data and Computer Software clause at DFARS 252.227-7013 and in applicable FAR provisions: Dell Computer Corporation, One Dell Way, Round Rock, Texas, 78682, USA.

FCC emissions information

This equipment has been tested and found to comply with the limits for a Class B digital device, pursuant to Part 15 of the FCC rules.




Refer to the *Drivers and Utilities* CD for details.

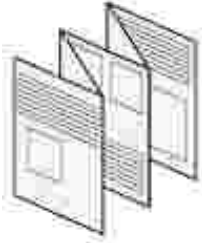

July 2003 Rev. A00

Finding information

[Software overview](#)

[Fonts](#)


What are you looking for?	Find it here
<ul style="list-style-type: none">• Drivers for my printer• My <i>User's Guide</i>	<p><i>Drivers and Utilities CD</i></p>  <p>Documentation and drivers are already installed on your printer when shipped from Dell. You can use the CD to uninstall/reinstall drivers or access your documentation.</p> <p>Readme files may be included on your CD to provide last-minute updates about technical changes to your printer or advanced technical reference material for experienced users or technicians.</p>
<ul style="list-style-type: none">• Safety information• How to use my printer• Warranty information	<p><i>Owner's Manual</i></p>  <p> CAUTION: Read and follow all safety instructions in your <i>Owner's Manual</i> prior to setting up and operating your printer.</p>
How to set up my printer	Setup diagram

<ul style="list-style-type: none"> • Operator panel menus • Common printer messages • Loading paper into a tray or multipurpose feeder • Accessing jam areas 	<p>Quick reference card</p> 
<p>Express Service Code and Service Tag number</p>	<p>Express Service Code and Service Tag number.</p>  <p>The Express Service Code and Service Tag numbers are located inside the front door of your printer.</p>
<ul style="list-style-type: none"> • Latest drivers for my printer • Answers to technical service and support questions • Documentation for my printer 	<p>Dell Support Website</p> <p>The Dell Support Website provides several online tools, including:</p> <ul style="list-style-type: none"> • Solutions - Troubleshooting hints and tips, articles from technicians, and online courses • Upgrades - Upgrade information for components, such as memory • Customer Care - Contact information, order status, warranty, and repair information • Downloads - Drivers • Reference - Printer documentation and product specifications <p>You can access Dell Support at support.dell.com. Select your region on the WELCOME TO DELL SUPPORT page, and fill in the requested details to access help tools and information.</p>

Software overview

Use the *Drivers and Utilities* CD that came with your printer to install a combination of software applications, depending on your operating system.

Operating System	Status Monitor	Status Monitor Center	Dell Toner Reorder Window	Dell Printer Software Uninstall	Driver Profiler
Windows 2000, Windows XP	Y	Y	Y	Y	Y
Windows NT	Y	Y	N	Y	Y
Windows 95, Windows 98, Windows Me	Y	N	N	Y	Y

 **NOTE:** If you purchased your printer and computer separately, you must use the *Drivers and Utilities* CD to install these software applications.

Status Monitor

The Status Monitor alerts you when an error or warning occurs; for example, when the top cover is open or toner is running low.

The Status Monitor launches when you send a print job to the printer and only appears on the computer screen when an error or warning occurs.

Status Monitor Center

Use the Status Monitor Center to manage multiple Status Monitors.

- Select a printer from the drop-down list and then select Run to open a Status Monitor for a particular printer.
- Select Update to change the appearance of the list of printers.
- Select Help to read the online help.

Dell Toner Reorder window

The Order Toner Cartridges dialog can be launched from the Printing Status window, the Programs window, or the desktop icon.

You can order toner by phone or from the Web.

1. Click Start → Programs or All Programs → Dell Printers → Dell Laser Printer W5300 → Dell Printer Supplies—Laser.

The Order Toner Cartridges window appears.

2. If ordering from the Web:

- a. Choose your printer model from the drop-down list on the screen.
- b. Enter your Dell printer Service Tag number in the field provided.

Your Service Tag number is located inside the front door of your printer.

- c. Click Visit Dell's cartridge ordering website.
3. If ordering by phone, call the number that appears under the By Telephone heading.

Print Server TCP/IP Setup

Refer to your *Owner's Manual* for information on establishing a printer IP address.

Dell Printer Software Uninstall

Use the Uninstall software utility to remove any currently installed printer software or printer objects. You can access the Uninstall software utility two ways:

1. For Windows XP only: Click Start →Control Panel →Printers and Other Hardware →Printers and Faxes.

For all others: Click Start →Settings →Printers.

- a. Select the printer object to uninstall, and then right-click the mouse.
 - b. Select Dell Software Uninstall.
 - c. Select the components to uninstall, and then click Next.
 - d. Click Uninstall Now.
 - e. Click OK when the uninstall is complete.
2. Click Start →Programs or All Programs →Dell Printers →Dell Laser Printer W5300 →Dell Printer Software Uninstall.
 - a. Select the components to uninstall, and then click Next.
 - b. Click Uninstall Now.
 - c. Click OK when the uninstall is complete.

Driver Profiler

The Driver Profiler program and printer drivers located on the *Drivers and Utilities* CD are used to create driver profiles that contain custom driver settings. A driver profile can contain a group of saved printer driver settings and other data for things such as:

- Print orientation and N-Up (document settings)
- Installation status of an output tray (printer options)
- User-defined paper sizes (custom papers)
- Simple text and watermarks
- Overlay references
- Font references
- Form associations

Profiles are stored in Driver Configuration Files (DCF). The individual profiles inside the DCF are identified by a short description. During installation, the user can point to the DCF that contains the profiles to use when creating a customized printer object.

A DCF can contain profiles for any number of printer models and any number of different drivers (PostScript or PCL, Windows 95, Windows 98, Windows Me, Windows 2000, Windows NT® 4.0, or Windows XP). Profiles can be added to an existing DCF by specifying an existing configuration file in the Driver Profiler when creating a profile. New profiles are always appended to an existing configuration file. No two profiles in the same DCF can have the same short description.

Fonts

Screen Fonts are fonts you install in Windows to match your printer scalable resident fonts. Selecting resident printer fonts improves printing performance. The screen fonts allow the documents displayed on the computer screen to match the output from your printer. When you install the screen fonts, you will have access to the full set of resident printer fonts by Windows programs for PCL emulation. Choose your printer model when prompted, and the program automatically installs the TrueType® screen fonts for your printer in Windows.

Your printer also has five bar code fonts:

- OCR-A
- OCR-B
- C39 Narrow (3 of 9)
- C39 Regular (3 of 9)

- C39 Wide (3 of 9)

Dell Printer Configuration Web Tool

Have you ever sent a print job to the network printer down the hall, only to find it didn't print because of a paper jam or an empty paper tray? One of the features of the Dell Printer Configuration Web Tool is the Email Alert Setup, which sends you, or the key operator, an email when the printer needs supplies or intervention.

If you fill out printer inventory reports requiring the asset tag number of all of the printers in your area, the Dell Printer Configuration Web Tool has a Printer Information feature that makes it easy. Just type the IP address of each printer on the network to display the asset tag number.

The Dell Printer Configuration Web Tool feature also lets you change printer settings and keep track of printing trends. If you are a network administrator, you can easily copy the printer's settings to one or all printers on the network – right from your Web browser.

To launch the Dell Printer Configuration Web Tool, just type your network printer's IP address in your Web browser.

If you do not know what your printer's IP address is, print a network setup page, which lists the IP address:

1. Press Menu until you see `Utilities Menu`, and then press `Select`.
2. Press Menu until you see `Print Net Setup`, and then press `Select` to print a network setup page.

If the IP address shows 0.0.0.0. (the factory default), an IP address has not been assigned. To assign one for your printer, see [Assign an IP address](#).

Use the Dell Printer Configuration Web Tool for:

Printer status

Get immediate feedback on printer supply status. When toner is running low, click the toner supplies link on the first screen to order additional toner cartridges.

Printer settings

Change printer settings, view the operator panel remotely, and update the print server firmware.

Copy printer settings

Quickly clone the printer's settings to another printer or printers on the network just by typing each printer's IP address.

 **NOTE:** You must be a network administrator to use this feature.

Printing statistics

Keep track of printing trends, such as paper usage and types of jobs being printed.

Printer information

Get the information you need for service calls, inventory reports, or the status of current memory and engine code levels.

Email alert setup

Receive an email when the printer needs supplies or intervention. Type your name or the key operator's name in the email list box to be notified.

Set password

Lock the operator panel with a password so that other users don't inadvertently change the printer settings you selected.

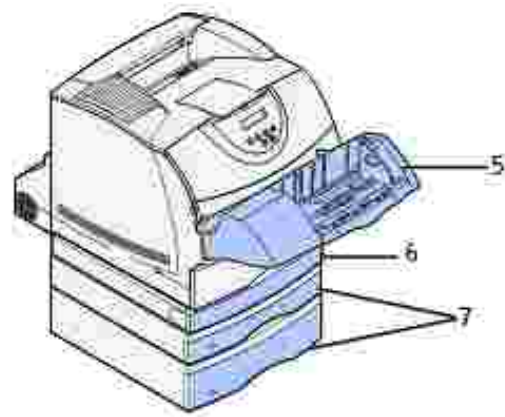
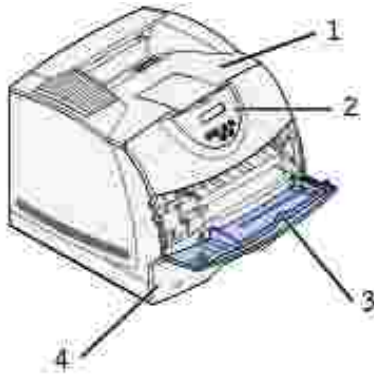
 **NOTE:** You must be a network administrator to use this feature.

Online Help

Click Help to visit the Dell website for printer troubleshooting.

About your printer


The following illustrations show the standard Dell Workgroup Laser Printer W5300, and with an envelope feeder, duplex unit option, and a tray 2 and tray 3 option (250- or 500-sheets) attached.

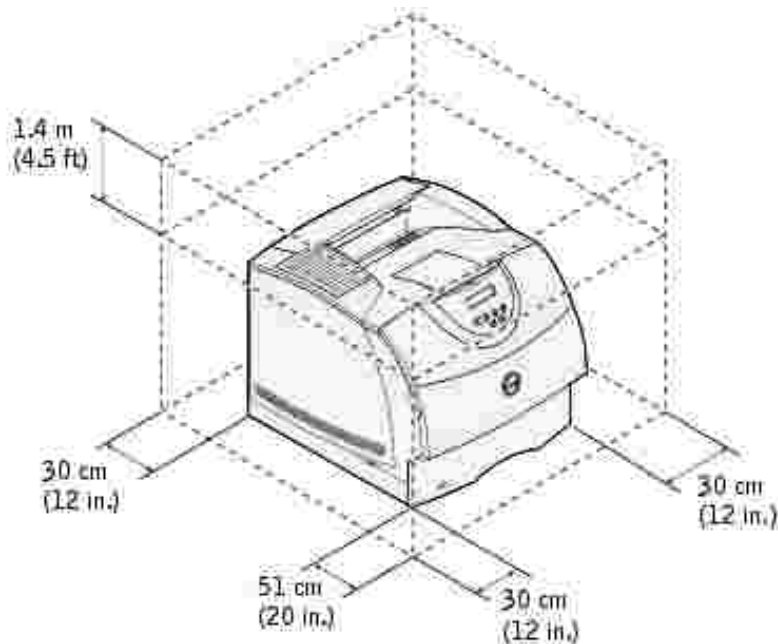


Standard network printer		Network printer with options	
1	Standard output bin	5	Optional envelope feeder
2	Operator panel	6	Optional duplex unit
3	Multipurpose feeder	7	Optional trays (250 or 500 sheets). The printer supports up to four optional trays.
4	Standard tray (500 sheets)		


Unpacking the printer

1. Select a location for your printer.

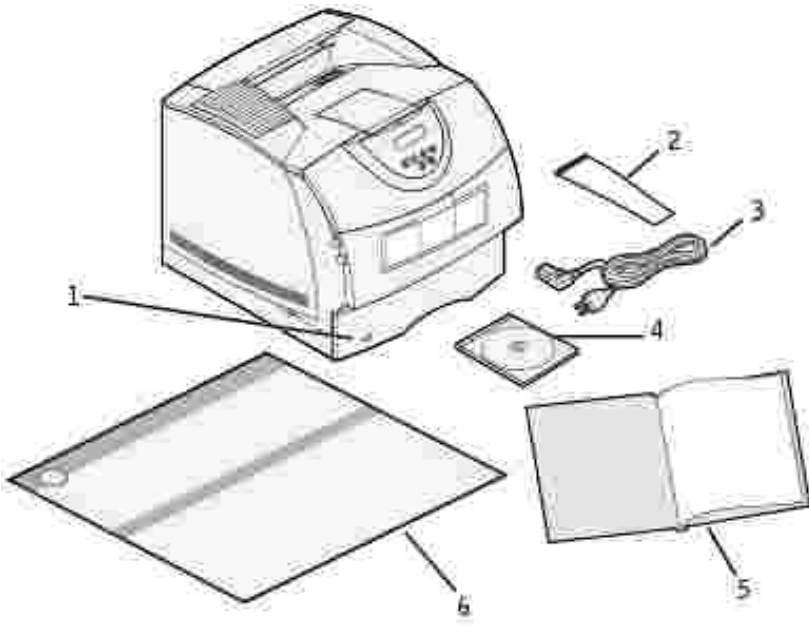
 **CAUTION:** The printer requires at least two people to lift it safely.



- Leave enough room to open the printer trays, covers, doors, and options. It is also important to allow space around the printer for proper ventilation.
- Provide the proper environment:
 - A firm, level surface
 - Away from the direct airflow of air conditioners, heaters, or ventilators
 - Free of sunlight, humidity extremes, or temperature fluctuations
 - Clean, dry, and free of dust

 **NOTE:** Leave the printer in the box until you are ready to install it.

2. Remove all items from the box except the printer. Make sure you have the following items:



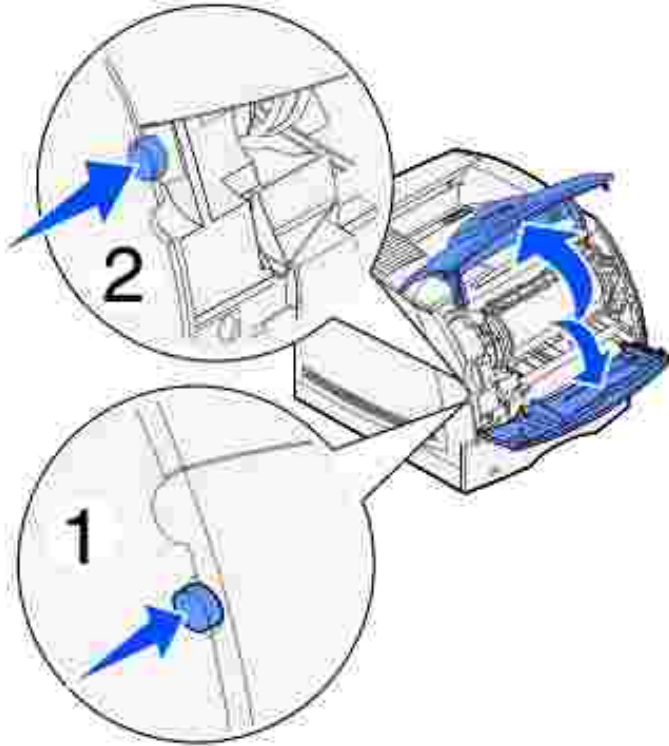
1	Printer with standard tray	4	<i>Drivers and Utilities CD</i>
2	Wire bail	5	<i>Owner's Manual</i>
3	Power cord	6	Setup diagram

If any items are missing or damaged, contact Dell at support.dell.com.

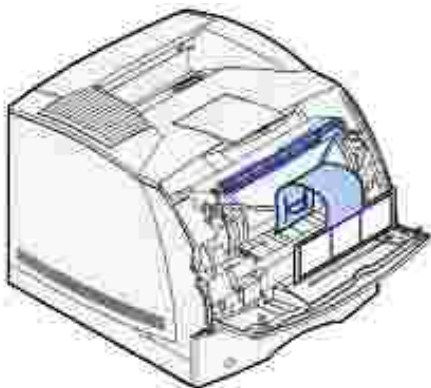
Save the carton and packing material in case you need to repack the printer.

Installing the toner cartridge

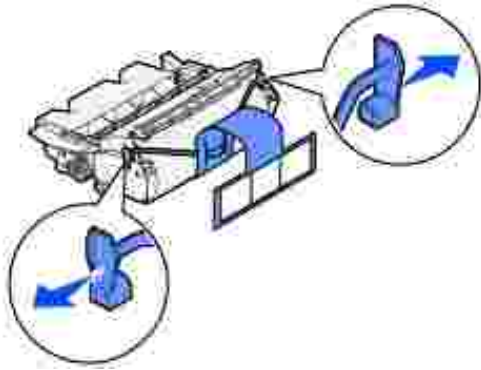
1. Press latch 1 to open the lower door. Press latch 2 to open the upper door.



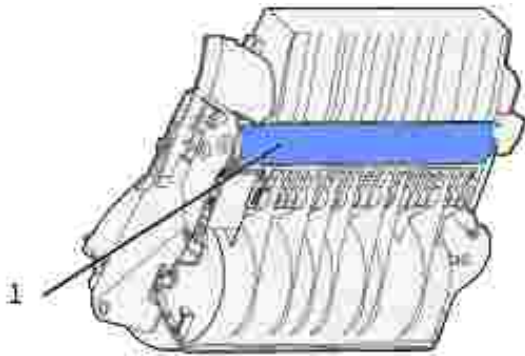
2. Grasp the toner cartridge by the handle and pull it up and out.



3. Pull on the tabs on each side of the red plastic to remove the packaging from the toner cartridge.

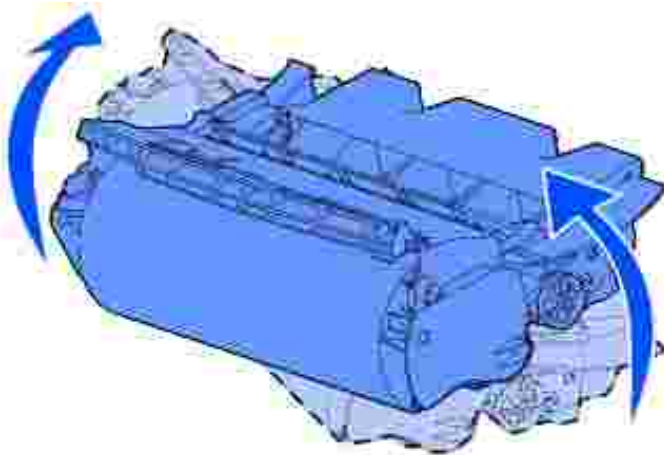


➔ **NOTICE:** Do not touch the photoconductor drum on the underside of the toner cartridge.

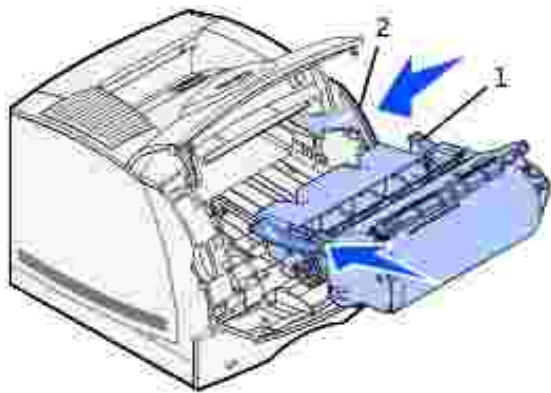


1 Photoconductor drum

4. Gently shake the cartridge to distribute the toner evenly.



5. Align the tabs on each side of the toner cartridge with the slots on each side of the cartridge cradle. Use the arrows inside the printer for placement.



1	Tab
2	Slot

6. Guide the cartridge in until it *snaps* into place.
7. Close the upper door, and then the lower door.

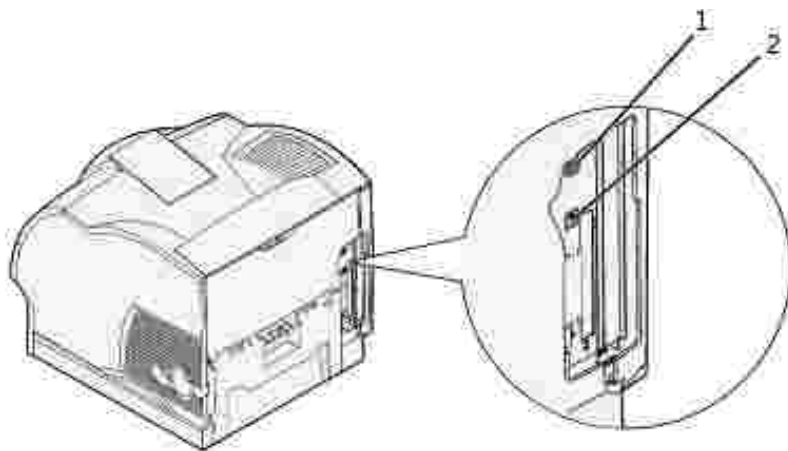
Attaching cables

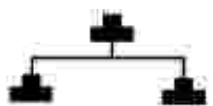
- [Choosing the right cable](#)
 - [Connecting the printer locally](#)
 - [Connecting the printer to the network](#)
-

Choosing the right cable

Your Dell Workgroup Laser Printer W5300 interconnection cable must meet the following requirements:

Connection	Cable certification
USB	USB 2.0
10/100BaseT Ethernet	CAT-5E



1	USB port	
2	Ethernet port	

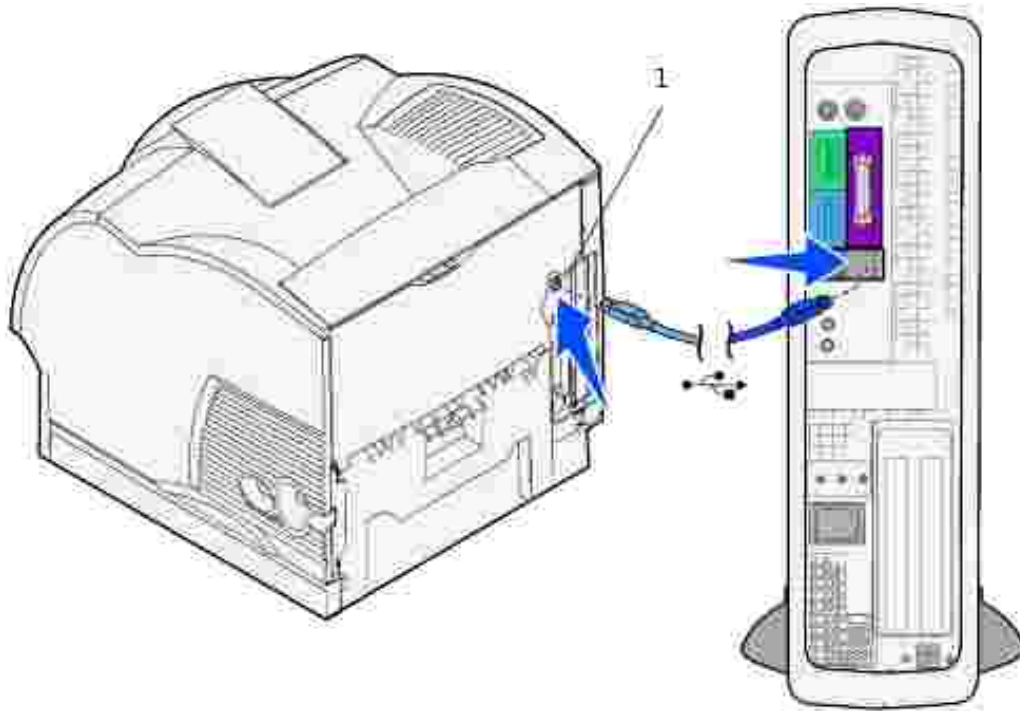
Connecting the printer locally

A local printer is a printer attached to your computer using a USB cable. *If your printer is attached to a network instead of your computer, skip this step and go on to [Connecting the printer to the network](#).*

Microsoft® Windows® 98 SE, Windows Me, Windows 2000, and Windows XP operating systems support USB connections. Some UNIX® and Linux computers also support USB connections. Refer to your computer operating system documentation to see if your system supports USB.

To attach the printer to a computer:

1. Make sure the printer, computer, and any other attached devices are turned off and unplugged.
2. Connect the printer to the computer using a USB cable.



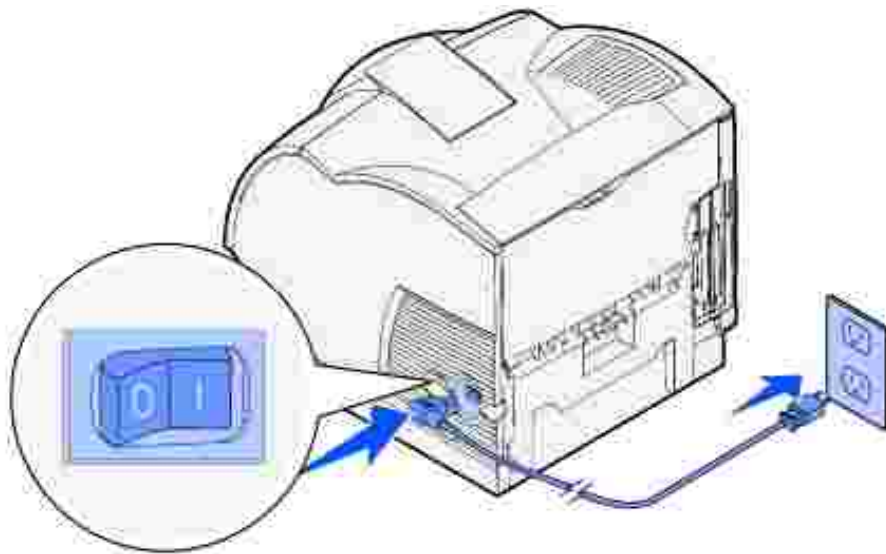
1	USB port
---	----------

A USB port requires a USB cable. Be sure to match the USB symbol on the cable to the USB symbol on the printer.

Plug the other end of the cable into a USB port on the back of the *computer*, not the USB keyboard.

Turn on the printer

1. Plug one end of the printer power cord into the socket at the back of the printer and the other end into a properly grounded outlet.



2. Turn on the computer and the printer.

Print and check the menu settings page

The Menu Settings page lists all the options you purchased or installed. If a feature or an option is not listed, you need to check your installation.

1. Press Menu until you see `Utilities Menu`, and then press Select.
2. Press Menu until you see `Print Menus`, and then press Select to print the page. The message `Printing Menus` appears on the display.
3. Verify that the options you installed are correctly listed under "Installed Features."
4. If an option you installed is not listed, turn the printer off, unplug the power cord, and reinstall the option.
5. Verify the amount of memory installed is correctly listed under "Printer Information."
6. Verify that any optional trays you installed are configured for the sizes and types of print media you loaded.

When you add or remove an option, remember to update the printer's configuration through your printer driver.

1. For Windows XP only: Click Start →Control Panel →Printers and Other Hardware →Printers and Faxes.

For all others: Click Start →Settings→Printers.

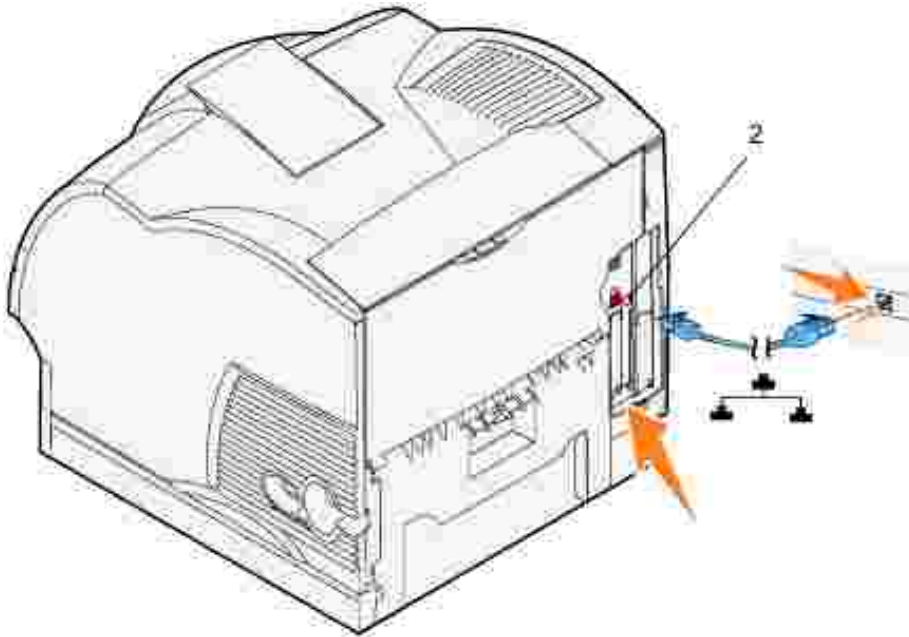
2. Right-click the Dell Laser Printer W5300 icon and select Properties.

3. Select the Device tab, and then select the option.
4. Click Update, and then click Apply.

Connecting the printer to the network

To attach the printer to a computer:

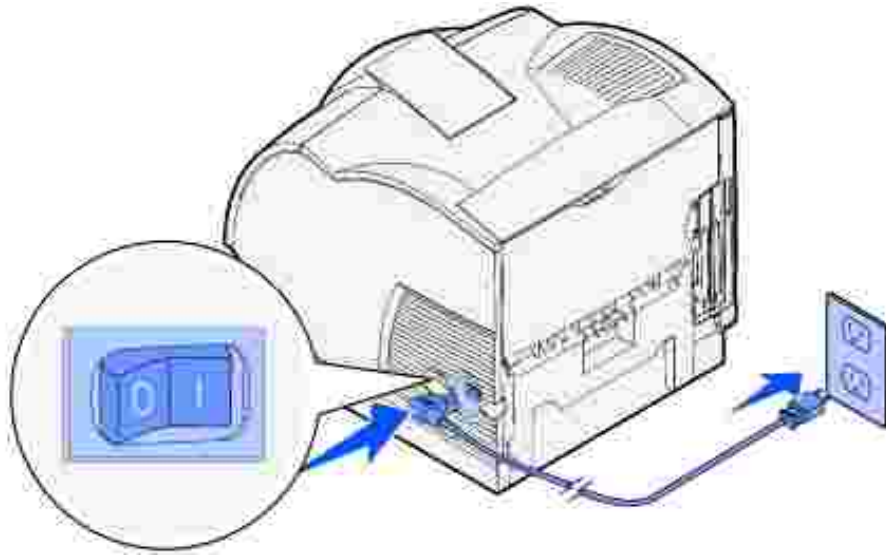
1. Make sure the printer, computer, and any other attached devices are turned off and unplugged.
2. Remove the red plug from the Ethernet port on the back of the printer.
3. Plug one end of a standard category 5 cable into a LAN drop or hub, and the other end into the Ethernet port on the back of the printer. The printer automatically adjusts for the network speed.



2	Ethernet port
---	---------------

Turn on the printer

1. Plug one end of the printer power cord into the socket at the back of the printer and the other end into a properly grounded outlet.



2. Turn on the computer and the printer.

Print and check the network setup page

Print a network setup page to verify the network connection. This page also provides important information that helps you configure for network printing.

1. Press Menu until you see Utilities Menu, and then press Select.
2. Press Menu until you see Print Net Setup, and then press Select to print a network setup page.
3. Under the Standard Network Card heading on the network setup page, make sure Status is "Connected".

If Status is "Not Connected":

- o Make sure the Ethernet cable is firmly plugged into the back of the printer
 - o Plug the Ethernet cable into another wall outlet
4. If the IP address shows anything other than 0.0.0.0. (the factory default), the printer has an IP address assigned and stored. Go to [Verify the IP settings](#).

Assign an IP address

Print Server TCP/IP Setup

If an IP address wasn't assigned automatically, refer to your *Owner's Manual* for information on establishing a printer IP address.

You can also assign an IP address using: BOOTP, or a RARP server and telnet, or static ARP entry and telnet.

Use BOOTP

BOOTP (Bootstrap Protocol) is an internet standard protocol that lets users on a local area network find their IP address. The BOOTP server, or a forwarding agent, must be attached to the same IP subnet as the new printer.

The BOOTP method works like this: First, the printer broadcasts its presence on the network. The BOOTP server hears the broadcast and recognizes the printer hardware address. The BOOTP server replies, setting the IP address, netmask, and gateway in the printer. To set the IP parameters using BOOTP:

1. Determine the hardware address of the printer. This is a 12-digit alphanumeric listed as UAA on the network setup page. Use the number in the right column.
2. Configure the BOOTP server. Edit the BOOTP configuration file (normally /etc/bootptab). This file is a collection of entries for each BOOTP client served by this server.

An entry for a particular hardware address sets various IP parameters. The following is an example of a typical entry:

```
net_printer:\  
ht=ether:\  
ha=000400123ABC:\  
ip=192.168.2.0:\  
sm=255.255.255.128:\  
gw=192.168.0.0:\  
hn:
```

Parameter	Description
net_printer=	Host name
ht=ether	Hardware type (Ethernet)
ha=00400123ABC	Hardware address
ip=192.168.2.0	IP address
sm=255.255.255.0	Netmask
gw=192.168.0.0	Gateway

3. Make sure BOOTP is enabled. Check the network setup page.
4. Set up the printer host name in the computer. To do so, define the printer IP name and address in the /etc/hosts file or on the name server. This address must match the IP address. You may want to use a host name that is meaningful in your environment (for example, a name that identifies the printer location).

Use dynamic RARP server and telnet

RARP (Reverse Address Resolution Protocol) is another internet protocol that lets you set your printer's IP address.

To set the IP address, netmask, and gateway using a RARP server and telnet:

1. Determine the hardware address of the printer. Refer to the item labeled UAA on the network setup page. Use the number in the right column.
2. Make sure RARP is enabled. Check the network setup page.
3. Set up the RARP server. Follow the instructions provided by your host operating system. Use the hardware address from step 1.
4. Reset the printer. The printer sends a RARP request, and the server responds.
5. Turn the printer off, and then on again.
6. From a command prompt, use the telnet command to access the printer.
7. Follow the instructions that appear on the screen after entering the command to set the netmask, and gateway.

Use Static ARP entry and telnet

ARP (Address Resolution Protocol) is an internet standard that assigns IP addresses to network interface cards of workstations on a local area network. To set the IP address, netmask, and gateway using static ARP entry and telnet:

1. Determine the hardware address of the printer. Refer to the item labeled UAA on the network setup page. Use the number in the right column.
2. Add a static ARP entry for the IP address using the following:
 - o The dotted decimal form of the IP address, such as 192.168.2.0.
 - o The commands appropriate to the host operating system.
3. Use the telnet command to access the printer.
4. Follow the instructions that appear on the screen after entering the command to set the printer IP address, netmask, and gateway.

Verify the IP settings

1. Print another network setup page.
2. Look under the "TCP/IP" heading on the network setup page to make sure the IP address, netmask, and gateway are what you expected


or


Ping the printer and verify that it responds. For example, at a command prompt on a network computer, type `ping` followed by the new printer IP address (for example, 192.168.0.11):

```
ping xxx.xxx.xxx.xxx
```

If the printer is active on the network, you will receive a reply.

Installing optional drawers

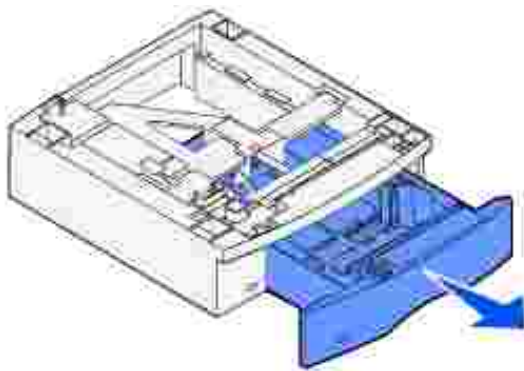
 **CAUTION:** If you are adding an optional drawer sometime after setting up the printer, be sure to turn the printer off, unplug the power cord, and disconnect all cables from the back of the printer before completing these tasks.

 **CAUTION:** Use a printer stand with cabinet if the printer needs to reside at table height or if increased height is desired for input option access. Do not exceed the maximum recommended configuration of four 250- or 500-sheet drawers.

To increase paper capacity, you can purchase optional 250-sheet and/or 500-sheet drawers. Optional drawers attach under the printer and optional duplex unit. The printer automatically recognizes any drawer that is installed.

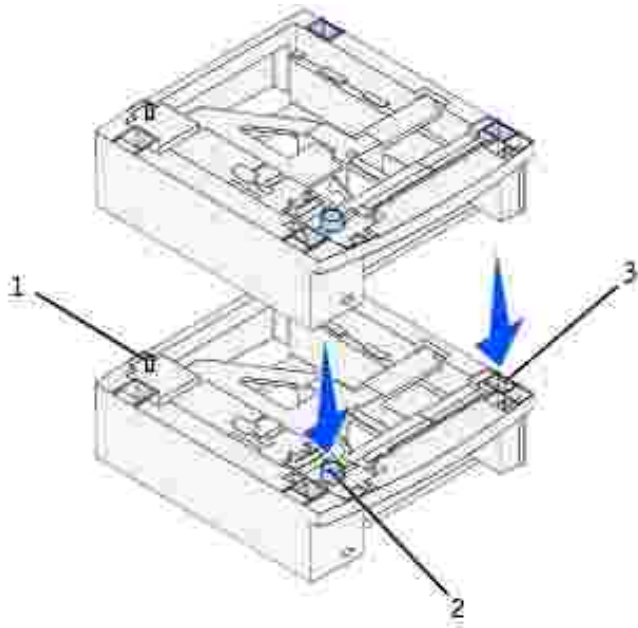
A drawer consists of a tray and a support unit. The 250-sheet drawer and the 500-sheet drawer are installed the same way.

1. Remove the tray from the support unit. Remove all packing material, tape, and decals.



2. Place the support unit on top of the table or printer cabinet where you plan to use the printer.

The tab, round peg, and square holes on top of any drawer help you position the support unit so the edges are aligned properly. Make sure the support unit is securely in place.

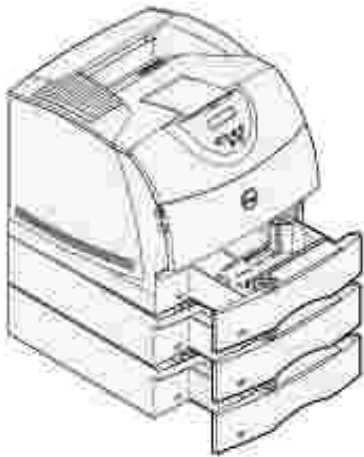


1	Tab
2	Round peg
3	Square hole

3. Attach decals to the trays.

Decals showing the number "1" are on your printer and the standard tray. These decals keep the standard tray paired with the printer.

Use the decals shipped with any optional drawer to mark it appropriately. Peel the decals from the sheet and attach them to the recessed areas on the optional drawers and the matching trays.



4. Print a menu settings page to verify the optional tray is installed properly.
 - a. Turn the printer on.

- b. Press the Menu button on the printer until you see Utilities Menu, and then press Select.
 - c. Press Menu until you see `Print Menus`, and then press Select to print the page. The message `Printing Menus` appears on the display.
 - d. Verify the optional 250-sheet or 500-sheet tray is listed under "Installed Features."
 - e. If it is not listed, turn the printer off, unplug the power cord, and reinstall the tray.
5. Update your driver by following the instructions in the table. If the printer is on the network, update the driver for each client.

Windows XP	<ol style="list-style-type: none"> 1. Click Start → Control Panel → Printers and Other Hardware → Printers and Faxes. 2. Right-click the Dell Laser Printer W5300 icon. 3. Click Properties → Device (or Options) → Update (or Update Now). 4. Click OK → OK. Close the Printers folder.
Windows 2000 Windows NT 4.0	<ol style="list-style-type: none"> 1. Click Start → Settings → Printers. 2. Right-click the Dell Laser Printer W5300 icon. 3. Click Properties → Device (or Options) → Update (or Update Now). 4. Click OK → OK. Close the Printers folder.
Windows Me Windows 95/98	<ol style="list-style-type: none"> 1. Click Start → Settings → Printers. 2. Right-click the Dell Laser Printer W5300 icon. 3. Click Properties → Device (or Features) → Update (or Update Now). 4. Click OK → OK. Close the Printers folder.

If Update is unavailable, follow these steps:

- a. In the Available Options list, click 250-sheet tray or 500-sheet tray.
- b. Click Add.
- c. Click OK, and then close the Printers folder.

If Update Now is unavailable, follow these steps:

- a. In the Options list, find 250-sheet tray or 500-sheet tray.
- b. Change the setting from Not Installed to Installed.
- c. Click OK, and then close the Printers folder.

6. After loading paper in the installed drawer, specify the paper type from the printer operator panel.
- a. Press the Menu button on the printer until you see `Paper Menu`, and then press Select.
 - b. Press Menu until you see `Paper Type`, and then press Select.

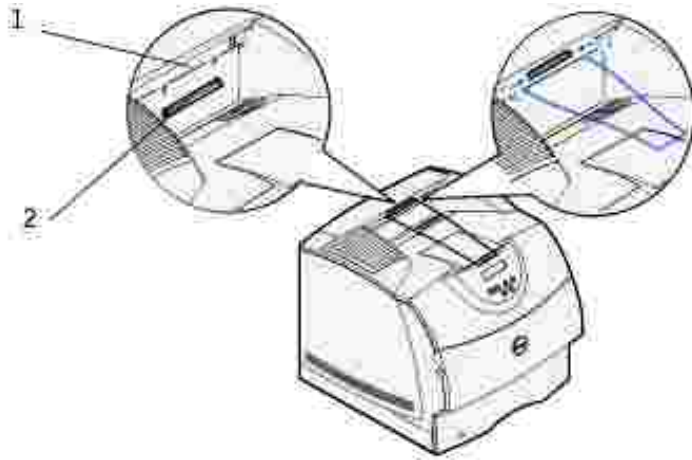
- c. Press Menu until you see Tray <x> Type, and then press Select.
- d. Press Menu until you see the paper type you loaded in the tray, and then press Select.
- e. Repeat for each installed tray.

The printer is now configured for the correct paper type in each installed drawer. When printing, you will only need to specify the paper type through the software application.

Attaching the wire bail

The wire bail keeps paper from sliding out of the output bin.


1. Remove the printer top cover and slide the plastic bracket onto the static brush holder. Adjust the bracket so it is centered over the area where print media exits.



1	Static brush holder
2	Plastic bracket

2. Place the tips of the wire bail into the ends of the plastic bracket so that the bail curves downward.
3. Replace the top cover.

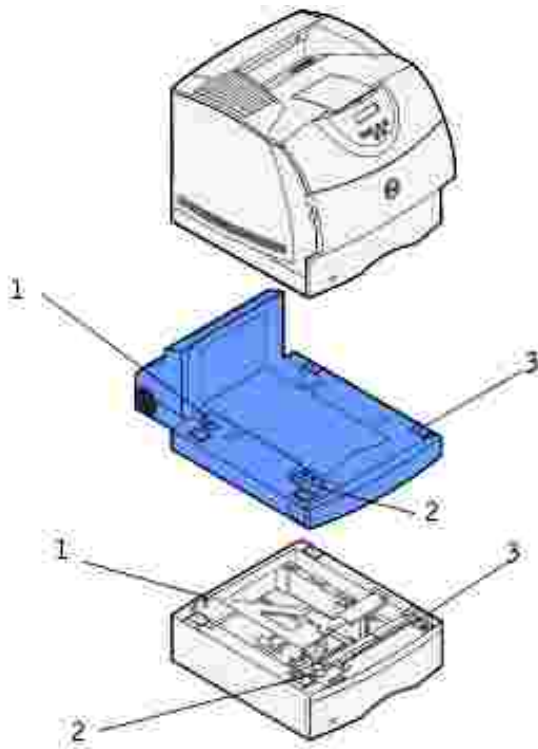
Installing an optional duplex unit

 **CAUTION:** Use a printer stand with cabinet if the printer needs to reside at table height or if increased height is desired for input option access. Do not exceed the maximum recommended configuration of four 250- or 500-sheet drawers.

The duplex unit attaches under the printer, below the standard tray and above any optional paper drawers.

1. Place the duplex unit on top of any installed drawers, or the table or printer cabinet where you plan to use the printer.

The tab, round peg, and square holes on top of any drawer help you position the duplex unit so the edges are aligned properly. Make sure it is securely in place.



1	Tab
2	Round peg
3	Square hole

2. Print a menu settings page to verify the duplex unit is installed properly.
 - a. Turn the printer on.
 - b. Press the Menu button on the printer until you see `Utilities Menu`, and then press Select.

- c. Press Menu until you see *Print Menus*, and then press *Select* to print the page. The message *Printing Menus* appears on the display.
 - d. Verify the duplex unit is listed under "Installed Features."
 - e. If it is not listed, turn the printer off, unplug the power cord, and reinstall the duplex unit.
3. Update your driver by following the instructions in the table. If the printer is on the network, update the driver for each client.

Windows XP	<ol style="list-style-type: none"> 1. Click Start → Control Panel → Printers and Other Hardware → Printers and Faxes. 2. Right-click the Dell Laser Printer W5300 icon. 3. Click Properties → Device (or Options) → Update (or Update Now). 4. Click OK → OK. Close the Printers folder.
Windows 2000 Windows NT 4.0	<ol style="list-style-type: none"> 1. Click Start → Settings → Printers. 2. Right-click the Dell Laser Printer W5300 icon. 3. Click Properties → Device (or Options) → Update (or Update Now). 4. Click OK → OK. Close the Printers folder.
Windows Me Windows 95/98	<ol style="list-style-type: none"> 1. Click Start → Settings → Printers. 2. Right-click the Dell Laser Printer W5300 icon. 3. Click Properties → Device (or Features) → Update (or Update Now). 4. Click OK → OK. Close the Printers folder.

If Update is unavailable, follow these steps:

- a. In the Available Options list, click Duplex Option.
- b. Click Add.
- c. Click OK, and then close the Printers folder.

If Update Now is unavailable, follow these steps:

- a. In the Options list, find Duplex Option.
- b. Change the setting from Not Installed to Installed.
- c. Click OK, and then close the Printers folder.

To make duplexing the default for all print jobs:

You can set up your driver so the printer always duplexes unless you say otherwise for a particular job. This is handy if you usually print on both sides of the page (to save paper, for example).

To make duplexing the default, follow the steps below.

1. For Windows XP only: Click Start →Control Panel →Printers and Other Hardware →Printers and Faxes.

For all others: Click Start →Settings→Printers.

2. Right-click the Dell Laser Printer W5300 icon.
3. For Windows XP and Windows 2000: Click Printing Preferences.


For Windows NT 4.0: Click Document Defaults.

For Windows Me and 95/98: Click Properties.

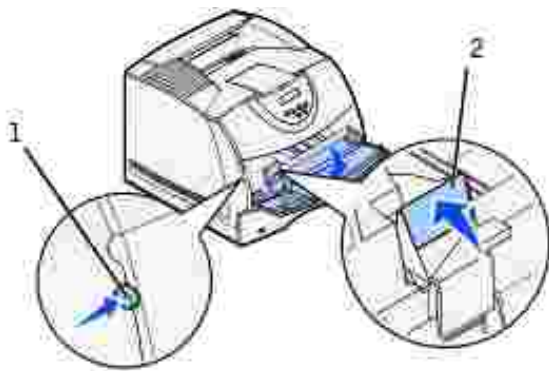
4. Click Setup (or Paper).
5. In the Duplex section, select either Long Edge or Short Edge.
6. Click OK.
7. Close the Printers folder.

Installing an optional envelope feeder

The envelope feeder attaches to the front of your printer behind the lower front door. It can be removed when you are not using it, making the printer more compact.

 **NOTE:** It is normal for the envelope feeder to make a loud tapping sound while printing. See [Envelope Enhance](#) for more information.

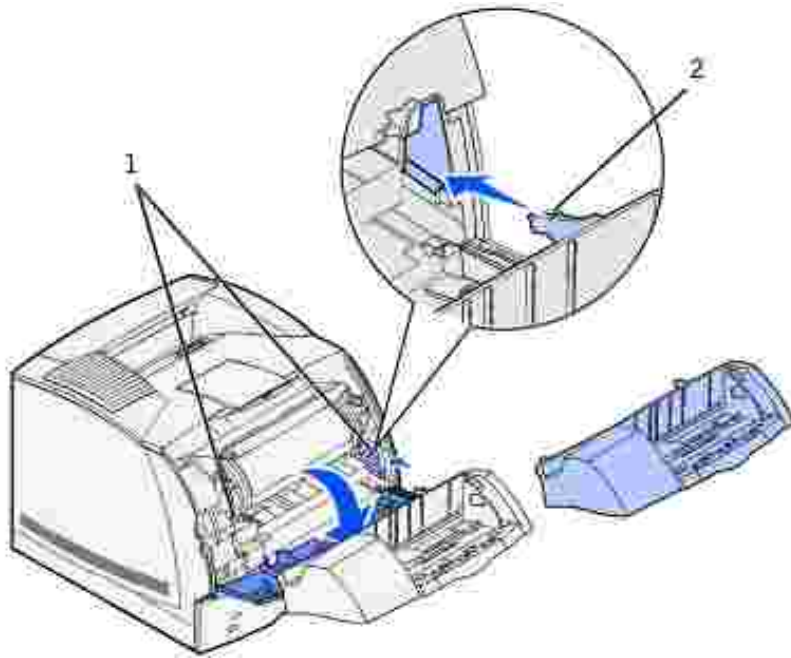
1. Press the release latch and open the printer lower front door.
2. Lift open the envelope feeder connector door.



1	Release latch
2	Envelope feeder connector door

3. Align the tabs on the envelope feeder with the slots on both sides of the printer, and then gently push the envelope feeder into the opening until it *snaps* into place.

The envelope feeder tilts downward at a slight angle when it is installed properly.



1	Slots
2	Tab

4. Print a menu settings page to verify the envelope feeder is installed properly.
 - a. Turn the printer on.
 - b. Press the Menu button on the printer until you see `Utilities Menu`, and then press `Select`.
 - c. Press `Menu` until you see `Print Menus`, and then press `Select` to print the page. The message `Printing Menus` appears on the display.
 - d. Verify the envelope feeder is listed under "Installed Features."
 - e. If it is not listed, turn the printer off, unplug the power cord, and reinstall the envelope feeder.
5. Update your driver by following the instructions in the table. If the printer is on the network, update the driver for each client.

Windows XP	<ol style="list-style-type: none"> 1. Click Start → Control Panel → Printers and Other Hardware → Printers and Faxes. 2. Right-click the Dell Laser Printer W5300 icon. 3. Click Properties → Device (or Options) → Update (or Update Now). 4. Click OK → OK. Close the Printers folder.
Windows 2000 Windows NT 4.0	<ol style="list-style-type: none"> 1. Click Start → Settings → Printers. 2. Right-click the Dell Laser Printer W5300 icon. 3. Click Properties → Device (or Options) → Update (or Update Now). 4. Click OK → OK. Close the Printers folder.
Windows Me Windows 95/98	<ol style="list-style-type: none"> 1. Click Start → Settings → Printers. 2. Right-click the Dell Laser Printer W5300 icon. 3. Click Properties → Device (or Features) → Update (or Update Now). 4. Click OK → OK. Close the Printers folder.

If Update is unavailable, follow these steps:

- a. In the Available Options list, click Envelope Feeder.
- b. Click Add.
- c. Click OK, and then close the Printers folder.

If Update Now is unavailable, follow these steps:

- a. In the Options list, find Envelope Feeder.
- b. Change the setting from Not Installed to Installed.
- c. Click OK, and then close the Printers folder.

6. After loading envelopes in the envelope feeder, specify the envelope type from the printer operator panel.
 - a. Press the Menu button on the printer until you see `Paper Menu`, and then press Select.
 - b. Press Menu until you see `Paper Type`, and then press Select.
 - c. Press Menu until you see `Env Feeder Type`, and then press Select.
 - d. Press Menu until you see the envelope type you loaded in the tray, and then press Select.

The printer is now configured for the correct envelope type in the envelope feeder. When printing, you will only need to specify the envelope type through the software application.

Print media guidelines

- [Storing print media](#)
- [Identifying print media sources and specifications](#)

Print media is paper, card stock, transparencies, labels, and envelopes. Your printer provides high quality printing on a variety of print media. Selecting the appropriate print media for your printer helps you avoid printing problems. This chapter provides information on how to help you make print media selections, how to care for the print media, and how to load it in the standard tray or optional trays.

Paper

For the best print quality, use 75 g/m² (20 lb) xerographic, grain long paper. Try a sample of any paper you are considering using with the printer before buying large quantities.

When loading paper, note the recommended print side on the paper package, and load paper accordingly. See [Loading print media in standard and optional trays](#) and [Using and loading the multipurpose feeder](#) for detailed loading instructions.

Paper characteristics

The following paper characteristics affect print quality and reliability. We recommend that you follow these guidelines when evaluating new paper stock.

Weight

The printer can automatically feed paper weights from 60 to 135 g/m² (16 to 36 lb bond) grain long. Paper lighter than 60 g/m² (16 lb) might not be stiff enough to feed properly, causing jams. For best performance, use 75 g/m² (20 lb bond) grain long paper. To use paper narrower than 182 x 257 mm (7.2 x 10.1 in.), we recommend that the weight be greater than or equal to 90 g/m² (24 lb bond).

Curl

Curl is the tendency of print media to curve at its edges. Excessive curl can cause paper feeding problems. Curl usually occurs after the paper passes through the printer, where it is exposed to high temperatures. Storing paper unwrapped in humid conditions, even in the paper tray, can contribute to paper curling prior to printing and can cause feeding problems, also.

Smoothness

The degree of smoothness of paper directly affects print quality. If the paper is too rough, the toner does not fuse to the paper properly, resulting in poor print quality. If the paper is too smooth, it can cause paper feeding problems. Smoothness needs to be between 100 and 300 Sheffield points; however, smoothness between 150 and 250 Sheffield points produces the best print quality.

Moisture content

The amount of moisture in the paper affects both print quality and the ability of the printer to feed the paper properly. Leave the paper in its original wrapper until you are ready to use it. This limits the exposure of the paper to moisture changes that can degrade its performance.

Grain direction

Grain refers to the alignment of the paper fibers in a sheet of paper. Grain is either *grain long*, running the length of the paper, or *grain short*, running the width of the paper.

For 60 to 135 g/m² (16 to 36 lb bond) paper, grain long fibers are recommended. For papers heavier than 135 g/m² (36 lb bond), grain short is preferred. For the multipurpose feeder, 60 to 135 g/m² (16 to 36 lb bond) paper, grain long fibers are recommended. For the multipurpose feeder, papers heavier than 135 g/m² (36 lb bond), grain short is preferred.

Fiber content

Most high-quality xerographic paper is made from 100% chemically pulped wood. This content provides the paper with a high degree of stability resulting in fewer paper feeding problems and better print quality. Paper containing fibers such as cotton possess characteristics that can result in degraded paper handling.

Recommended paper

To ensure the best print quality and feed reliability, use 75 g/m² (20 lb) xerographic paper. Business papers designed for general business use may also provide acceptable print quality.

Always print several samples before buying large quantities of any type of print media. When choosing any print media, consider the weight, fiber content, and color.

The laser printing process heats paper to high temperatures of 225°C (437°F) for Magnetic Ink Character Recognition (MICR) applications, and 205°C (401°F) for non-MICR applications. Use only paper able to withstand these temperatures without discoloring, bleeding, or releasing hazardous emissions. Check with the manufacturer or vendor to determine whether the paper you have chosen is acceptable for laser printers.

Unacceptable paper

The following papers are not recommended for use with the printer:

- Chemically treated papers used to make copies without carbon paper, also known as carbonless papers, carbonless copy paper (CCP), or no carbon required (NCR) paper
- Preprinted papers with chemicals that may contaminate the printer
- Preprinted papers that can be affected by the temperature in the printer fuser

- Preprinted papers that require a *registration* (the precise print location on the page) greater than ± 0.09 in., such as optical character recognition (OCR) forms

In some cases, you can adjust registration with your software application to successfully print on these forms.

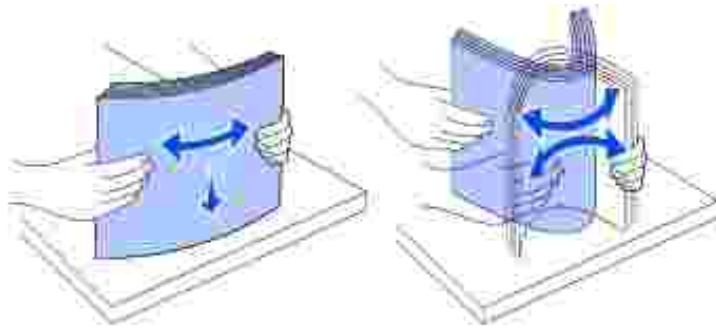
- Coated papers (erasable bond), synthetic papers, thermal papers
- Rough-edged, rough or heavily textured surface papers or curled papers
- Recycled papers containing more than 25% post-consumer waste that do not meet DIN 19 309
- Recycled paper having a weight less than 60 g/m² (16 lb)
- Multiple-part forms or documents

Selecting paper

Proper paper loading helps prevent jams and ensure trouble-free printing.

To help avoid jams or poor print quality:

- *Always* use new, undamaged paper.
- Before loading paper, know the recommended print side of the paper you are using. This information is usually indicated on the paper package.
- *Do not* use paper that you have cut or trimmed yourself.
- *Do not* mix print media sizes, weights, or types in the same source; mixing results in jams.
- *Do not* use coated papers.
- *Do not* forget to change the Paper Size setting when you use a source that does not support auto size sensing.
- *Do not* remove trays while a job is printing or `Busy` is displayed on the operator panel.
- Make sure the Paper Type, Paper Texture, and Paper Weight settings are correct. (See [Paper Menu](#) for detailed information about these settings.)
- Make sure the paper is properly loaded in the source.
- Flex paper back and forth. Do not fold or crease the paper. Straighten the edges on a level surface.



Selecting preprinted forms and letterhead

Use the following guidelines when selecting preprinted forms and letterhead paper for the printer:

- Use grain long papers for best results.
- Use only forms and letterhead printed using an offset lithographic or engraved printing process.
- Choose papers that absorb ink, but do not bleed.
- Avoid papers with rough or heavily textured surfaces.

Use papers printed with heat-resistant inks designed for use in xerographic copiers. The ink must withstand temperatures of 225°C (437°F) without melting or releasing hazardous emissions. Use inks that are not affected by the resin in toner or the silicone in the fuser. Inks that are oxidation-set or oil-based should meet these requirements; latex inks might not. If you are in doubt, contact your paper supplier.

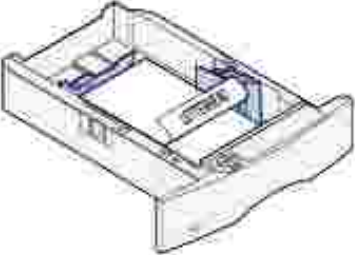
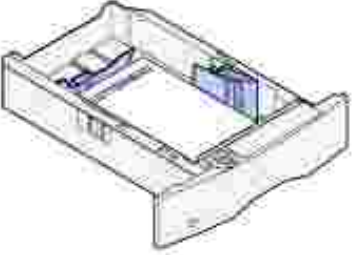


Preprinted papers such as letterhead must be able to withstand temperatures up to 225°C (437°F) without melting or releasing hazardous emissions.

Printing on letterhead

Check with the manufacturer or vendor to determine whether the preprinted letterhead you have chosen is acceptable for laser printers.

Page orientation is important when printing on letterhead. Use the following table for help when loading letterhead in the print media sources.

Print media source	Top of page		
	Print side	Portrait	Landscape
Tray 1 (standard tray)	Face down	Front of tray	Left side of tray

<p>Tray 2 (optional 250-sheet or 500-sheet drawer)</p>			
<p>Duplex printing using tray 1 or tray 2</p>	<p>Face up</p> 	<p>Logo faces rear of tray</p>	<p>Not applicable</p>
<p>Multipurpose feeder (including feeding individual sheets)</p>	<p>Face up</p> 	<p>Logo enters the printer first</p>	<p>Left side of tray</p>
<p>Duplex printing using the multipurpose feeder</p>	<p>Face down</p> 	<p>Logo enters the printer last</p>	<p>Not applicable</p>

Selecting prepunched paper

Prepunched paper brands can differ in the number and placement of holes and in manufacturing techniques.

Use the following guidelines to select and use prepunched paper:

- Test paper from several manufacturers before ordering and using large quantities of pre-punched paper.
- Paper should be punched at the paper manufacturer and not drilled into paper already packaged in a ream. Drilled paper can cause jams when multiple sheets feed through the printer.
- Prepunched paper can include more paper dust than standard paper. Your printer may require more frequent cleaning and feed reliability may not be as good as that of standard paper.
- Weight guidelines for prepunched paper are the same as for nonpunched paper.

Transparencies

You can feed transparencies from the standard tray, optional 250- or 500-sheet trays, or the multipurpose feeder. Try a sample of any transparencies you are considering using with the printer before buying large quantities.

When printing on transparencies:

- Be sure to set the Paper Type to Transparency from the printer driver to avoid damaging your printer.
- Use transparencies designed specifically for laser printers. Transparencies must be able to withstand temperatures of 205°C (401°F) without melting, discoloring, offsetting or releasing hazardous emissions.
- Avoid getting fingerprints on the transparencies, which can cause poor print quality.
- Before loading transparencies, fan the stack to prevent sheets from sticking together.

Selecting transparencies

The printer can print directly on transparencies designed for use in laser printers. Print quality and durability depend on the transparency used. Always print samples on the transparencies you are considering before buying large quantities.

The Paper Type setting should be set to Transparency to help prevent jams. (See [Paper Type](#) for detailed information about this setting.) Check with the manufacturer or vendor to determine whether your transparencies are compatible with laser printers that heat transparencies to 205°C (401°F). Use only transparencies that are able to withstand these temperatures without melting, discoloring, offsetting, or releasing hazardous emissions.

Envelopes

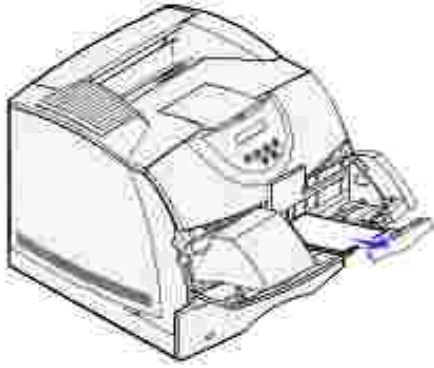
You can load up to 10 envelopes in the multipurpose feeder and 85 envelopes in the optional envelope feeder. Try a sample of any envelopes you are considering using with the printer before buying large quantities. See [Using and loading the multipurpose feeder](#) and [Using and loading the optional envelope](#)

[feeder](#) for instructions on loading an envelope.

When printing on envelopes:

- To achieve the best possible print quality, use only high-quality envelopes that are designed for use in laser printers.
- Set the Paper Source in the Paper Menu to MP Feeder, Manual Env, or Env Feeder depending on the source you are using, set the paper type to Envelope, and select the correct envelope size from the operator panel or the printer driver.
- For best performance, use envelopes made from 75 g/m² (20 lb bond) paper. You can use up to 105 g/m² (28 lb bond) weight for the multipurpose feeder or 105 g/m² (28 lb bond) weight for the envelope feeder as long as the cotton content is 25% or less. Envelopes with 100% cotton content must not exceed 90 g/m² (24 lb bond) weight.
- Use only new, undamaged envelopes.
- For best performance and to minimize jams, do not use envelopes that:
 - Have excessive curl or twist
 - Are stuck together or damaged in any way
 - Contain windows, holes, perforations, cutouts or embossing
 - Use metal clasps, string ties, or metal folding bars
 - Have an interlocking design
 - Have postage stamps attached
 - Have any exposed adhesive when the flap is in the sealed or closed position
 - Have nicked edges or bent corners
 - Have rough, cockle, or laid finishes
- Use envelopes that can withstand temperatures of 205°C (401°F) without sealing, excessive curling, wrinkling, or releasing hazardous emissions. If you have any doubts about the envelopes you are considering using, check with the envelope supplier.
- Adjust the width guide to fit the width of the envelopes.
- Load envelopes with the flap side down, and position the short edge nearest the return address to enter the printer first for the multipurpose feeder.

See [Using and loading the multipurpose feeder](#) for instructions on loading an envelope. Also, see [Using and loading the optional envelope feeder](#) for loading envelopes in this option.



- Load only one size of envelope at a time in the envelope feeder.
- A combination of high humidity (over 60%) and the high printing temperatures may seal the envelopes.

Labels

Your printer can print on many labels designed for use with laser printers. These labels are supplied in letter size, A4 size, and legal size sheets. Label adhesives, face sheet (printable stock), and topcoats must be able to withstand temperatures of 205°C (401°F) and pressure of 25 pounds per square inch (psi).

Try a sample of any labels you are considering using with the printer before purchasing a large quantity.

When printing on labels:

- Set the Paper Type menu item to Labels in the Paper Menu. Set the Paper Type from the printer operator panel or the printer driver.
- You may feed vinyl labels from the standard 500-sheet tray, or the optional 250- or 500-sheet drawers. For vinyl labels, you must set the Paper Type to Labels, Labels Texture to Smooth, and Label Weight to Heavy.
- Do not load labels together with paper or transparencies in the same source; mixing print media can cause feeding problems.
- Do not use label sheets with a slick backing material.
- Do not print within 1 mm (0.04 in.) of the die cut.
- Use full label sheets. Partial sheets may cause labels to peel off during printing, resulting in a jam. Partial sheets also contaminate your printer and your cartridge with adhesive, and could void your printer and cartridge warranties.
- Use labels that can withstand temperatures of 205°C (401°F) without sealing, excessive curling, wrinkling, or releasing hazardous emissions.
- Do not print within 1 mm (0.04 in.) of the edge of the label, of the perforations, or between die-cuts of the label.
- Do not use label sheets that have adhesive to the edge of the sheet. We recommend zone coating of

the adhesive at least 1 mm (0.04 in.) away from edges. Adhesive material contaminates your printer and could void your warranty.

- If zone coating of the adhesive is not possible, a 3 mm (0.125 in.) strip should be removed on the leading and driver edge, and a non-oozing adhesive should be used.
- Remove a 3 mm (0.125 in.) strip from the leading edge to prevent labels from peeling inside the printer.
- Portrait orientation is preferred, especially when printing bar codes.
- Do not use labels that have exposed adhesive.

Card stock

Card stock is single ply, and has a large array of properties, such as the moisture content, thickness, and texture, that can significantly affect print quality. See [Identifying print media sources and specifications](#) for information on the preferred weight for the grain direction of print media.

Try a sample of any card stock you are considering using with the printer before purchasing a large quantity.

See [Print media types and weights](#) for information on the preferred weight of print media.

When printing on card stock:

- Set the Paper Type menu item in the Paper Menu to Card Stock from the operator panel or from the printer driver.
- Be aware that preprinting, perforation, and creasing can significantly affect the print quality and cause print media handling or jamming problems.
- Avoid using card stock that may release hazardous emissions when heated.
- Do not use preprinted card stock manufactured with chemicals that may contaminate the printer. Preprinting introduces semi-liquid and volatile components into the printer.
- We recommend the use of grain short card stock.

Storing print media

Use the following guidelines for proper print media storage. These help avoid print media feeding problems and uneven print quality:

- For best results, store print media in an environment where the temperature is approximately 21°C (70°F) and the relative humidity is 40%.
- Store cartons of print media on a pallet or shelf, rather than directly on the floor.

- If you store individual packages of print media out of the original carton, make sure they rest on a flat surface so the edges do not buckle or curl.
- Do not place anything on top of the print media packages.

Identifying print media sources and specifications

The following tables provide information on standard and optional sources, including the print media sizes you can select from the Paper Size menu and supported weights.

 **NOTE:** If you use a print media size not listed, select the next larger size.

Print media sizes and support

Legend	Dimensions	500-sheet tray	250-sheet drawer (option)	500-sheet drawer (option)	Multipurpose feeder	Envelope feeder (option)	Duplex unit (option)	Standard output bin
Y- indicates support								
Print media size								
A4	210 x 297 mm (8.27 x 11.7 in.)	Y	Y	Y	Y		Y	Y
A5	148 x 210 mm (5.83 x 8.27 in.)	Y	Y	Y	Y		Y	Y
JIS B5	182 x 257 mm (7.17 x 10.1 in.)	Y	Y	Y	Y		Y	Y
Letter	215.9 x 279.4 mm (8.5 x 11 in.)	Y	Y	Y	Y		Y	Y
Legal	215.9 x 355.6 mm (8.5 x 14 in.)	Y	Y	Y	Y		Y	Y

Executive	184.2 x 266.7 mm (7.25 x 10.5 in.)	Y	Y	Y	Y		Y	Y
Folio1	216 x 330 mm (8.5 x 13 in.)	Y	Y	Y	Y		Y	Y
Statement1	139.7 x 215.9 mm (5.5 x 8.5 in.)	Y	Y	Y	Y			Y
Universal ²	139.7 x 210 mm to 215.9 x 355.6 mm (5.5 x 8.27 in. to 8.5 x 14 in.)	Y	Y	Y	Y			Y
	69.85 x 127 mm to 215.9 x 355.6 mm (2.75 x 5 in. to 8.5 x 14 in.)				Y			Y
	69.85 x 127 mm to 229 x 355.6 mm (2.75 x 5 in. to 9.01 x 14 in.)				Y			Y
	148 x 182 mm to 215.9 x 355.6 mm (5.83 x 7.17 in. to 8.5 x 14 in.)	Y	Y	Y	Y		Y	Y
7 ³ / ₄ Envelope	98.4 x 190.5 mm (3.875 x 7.5 in.)				Y	Y		Y
9 Envelope	98.4 x 225.4 mm (3.875 x 8.9 in.)				Y	Y		Y
10 Envelope	104.8 x 241.3 mm (4.12 x 9.5 in.)				Y	Y		Y

DL Envelope	110 x 220 mm (4.33 x 8.66 in.)				Y	Y		Y
C5 Envelope	162 x 229 mm (6.38 x 9.01 in.)				Y	Y		Y
B5 Envelope	176 x 250 mm (6.93 x 9.84 in.)				Y	Y		Y
Other Envelope ¹	98.4 x 162 mm to 176 x 250 mm (3.87 x 6.38 in. to 6.93 x 9.84 in.)				Y	Y		Y
	98.4 x 162 mm to 229 x 342 mm (3.87 x 6.38 in. to 9.01 x 12.76 in.)				Y	Y		Y

¹ This size does not appear in the Paper Size menu until Tray Size Sensing is turned off. See [Printing folio and statement sizes](#) for more information.

² This size setting formats the page for 215.9 x 355.6 mm (8.5 x 14 in.) unless the size is specified by the software application.

Print media supported

Print media	250-sheet drawer	500-sheet drawer	Multipurpose feeder	Envelope feeder	Duplex unit	Standard output bin
Paper	Y	Y	Y		Y	Y
Card stock	Y	Y	Y		Y	Y
Transparencies	Y	Y	Y			Y
Vinyl labels	Y	Y				Y
Paper labels	Y	Y				Y
Polyester labels	Y	Y				Y
Dual-web and integrated labels	Y	Y				Y

Print media types and weights

Print media	Type	Print media weight		
		Standard 500-sheet tray and optional 500-sheet drawer	Multipurpose feeder and optional 250-sheet drawer	Envelope feeder
Paper	Xerographic or business paper	60 to 135 g/m ² grain long (16 to 36 lb bond)	60 to 135 g/m ² grain long (16 to 36 lb bond)	Not recommended
Card stock-maximum (grain long) ¹	Index Bristol	163 g/m ² (90 lb)	120 g/m ² (67 lb)	
	Tag	163 g/m ² (100 lb)	120 g/m ² (74 lb)	
	Cover	176 g/m ² (65 lb)	135 g/m ² (50 lb)	
Card stock-maximum (grain short) ¹	Index Bristol	199 g/m ² (110 lb)	163 g/m ² (90 lb)	Not recommended
	Tag	203 g/m ² (125 lb)	163 g/m ² (100 lb)	
	Cover	216 g/m ² (80 lb)	176 g/m ² (65 lb)	
Transparencies	Laser printer	138 to 146 g/m ² (37 to 39 lb bond)	138 to 146 g/m ² (37 to 39 lb bond)	
Labels-maximum	Paper	180 g/m ² (48 lb bond)	163 g/m ² (43 lb bond)	
	Dual-web paper	180 g/m ² (48 lb bond)	163 g/m ² (43 lb bond)	
	Polyester	220 g/m ² (59 lb bond)	220 g/m ² (59 lb bond)	
	Vinyl	300 g/m ² (92 lb liner)	260 g/m ² (78 lb liner)	
Integrated forms	Pressure- sensitive area (must enter the printer first)	140 to 135 g/m ²	140 to 135 g/m ²	
	Paper base (grain long)	75 to 135 g/m ² (20 to 36 lb bond)	75 to 135 g/m ² (20 to 36 lb bond)	
Envelopes 100% cotton content maximum weight– 24 lb	Sulfite, wood-free or up to 100% cotton bonds	Not recommended	60 to 105 g/m ² (16 to 28 lb bond) ^{2,3}	60 to 105 g/m ² (16 to 28 lb bond) ²
<p>¹ Grain short is preferred for papers over 135 g/m².</p> <p>² 28 lb bond envelopes are limited to 25% cotton content.</p> <p>³ Includes envelopes fed from the multipurpose feeder only.</p>				

Loading print media

- [Loading print media in standard and optional trays](#)
- [Using and loading the multipurpose feeder](#)
- [Using and loading the optional envelope feeder](#)
- [Linking trays](#)
- [Using the duplex function](#)
- [Using the output bin](#)
- [Using the support extension](#)

This section provides information about loading the various input sources and options. Proper print media loading helps prevent jams and ensure trouble-free printing.

Before loading print media, know the recommended print side of the print media you are using. This information is usually on the print media package.

Click the following topics for information on loading a particular item or option:

- [Loading print media in standard and optional trays](#)
- [Loading the multipurpose feeder](#)
- [Using and loading the optional envelope feeder](#)

Loading print media in standard and optional trays

Load the print media you use for the majority of your print jobs in the standard 500-sheet tray. Proper print media loading helps prevent jams and helps make your printing trouble-free.

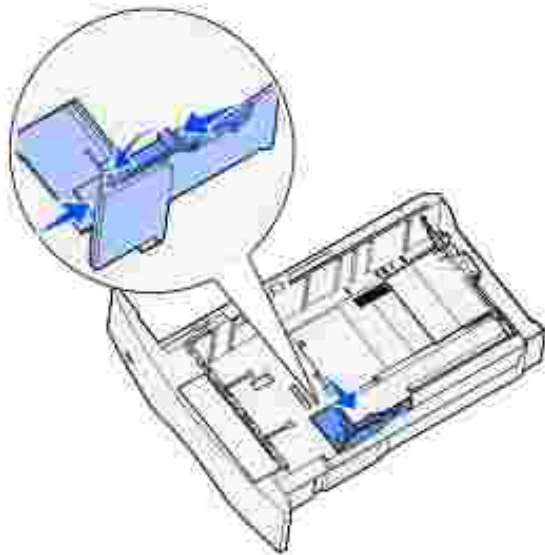
To avoid paper jams, do not remove trays while a job prints.

Complete these instructions to load print media into the standard or optional trays. All trays are loaded the same way.

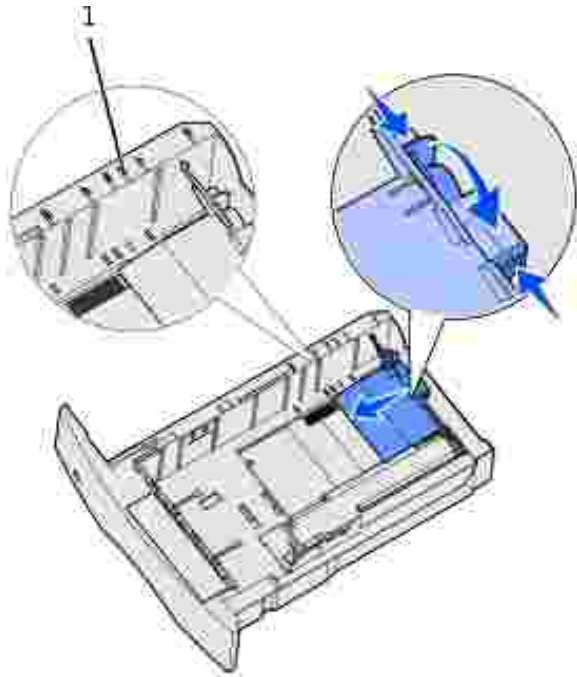
1. Pull the tray out. Remove the tray completely.



2. Squeeze the width guide tab and the side of the guide as shown. Slide the width guide to the far right side of the tray.

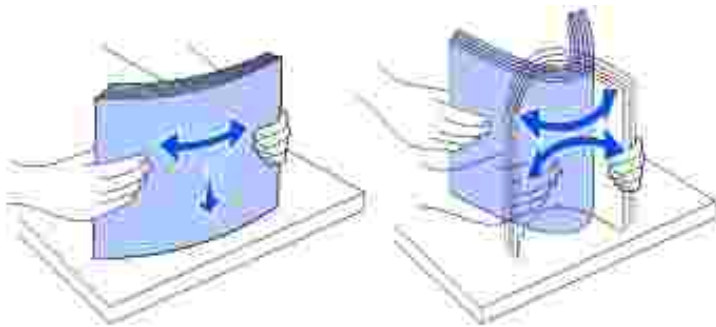


3. Squeeze the length guide lever and slide the length guide to the correct position for the size of print media you are loading. Notice the size indicators on the left side of the tray.

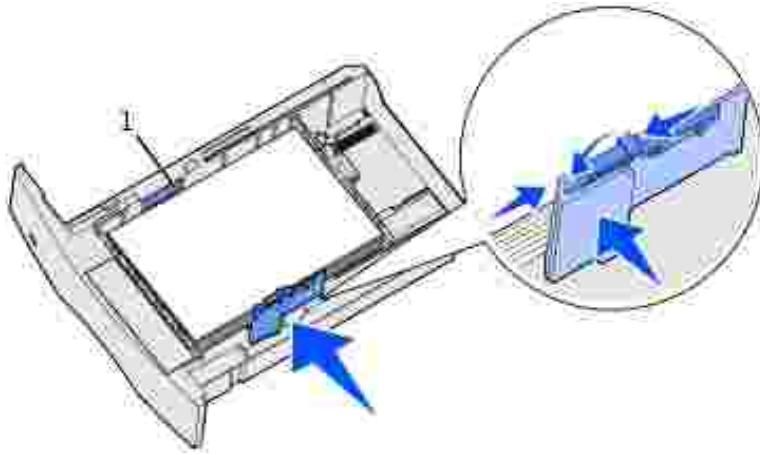


1 Size indicators

4. Flex the sheets back and forth to loosen them, and then fan them. Do not fold or crease the print media. Straighten the edges on a level surface.




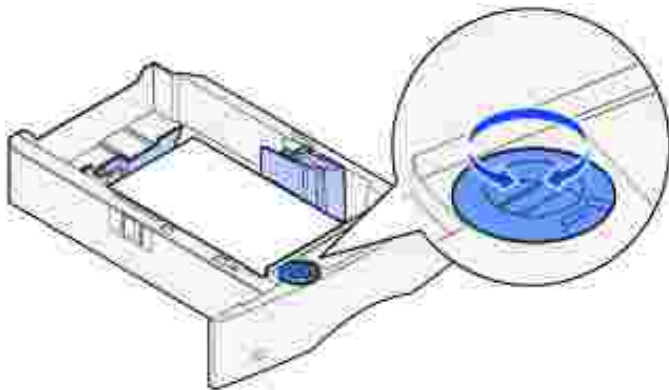
5. Place the print media into the tray with the recommended print side face down for single-sided printing and face up for duplex printing. Do not fill paper above the load line. Overfilling the tray may cause jams.



1	Load line
---	-----------

6. Squeeze the width guide tab and the side of the guide together. Slide the width guide to the left until it lightly rests against the edge of the stack.
7. For optional trays only, adjust the knob to show the size of the print media currently loaded.

 **NOTE:** This setting serves as a visual reminder only; it has no effect on the operation of the printer.

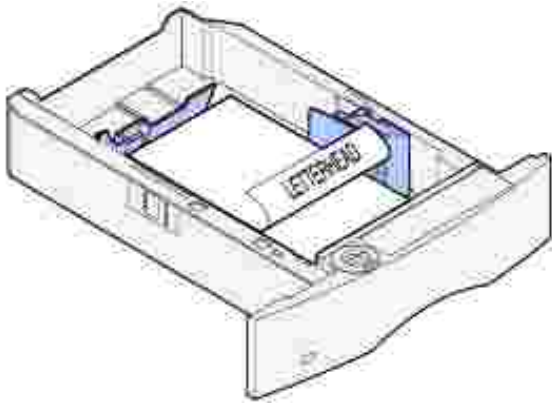


8. Insert the tray.

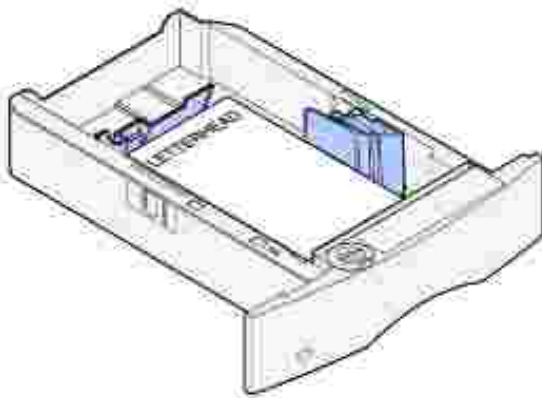
Loading letterhead

Letterhead must be loaded differently depending on what options you have installed.

For *simplex* (single-sided) printing on letterhead, place the printed side *face down* as shown.



For *duplex* printing on letterhead, place the printed side *face up* as shown.



 **NOTE:** The Paper Loading menu item lets you print simplex jobs on letterhead (or other preprinted media) that has been *loaded specifically for duplex printing*. See [Paper Loading](#) for more information.

Using and loading the multipurpose feeder

The multipurpose feeder can hold several sizes and types of print media, such as transparencies, postcards, note cards, and envelopes. It is useful for single page printing on letterhead or colored paper.

Keep in mind the following capacities, dimensions, and operating tips when loading the multipurpose feeder.

Capacity

The maximum stack height is 10 mm (0.4 in.). The multipurpose feeder can hold approximately:

- 100 sheets of 75 g/m² (20 lb) paper
- 10 envelopes

- 75 transparencies

Print media dimensions

The multipurpose feeder accepts print media within the following dimensions:

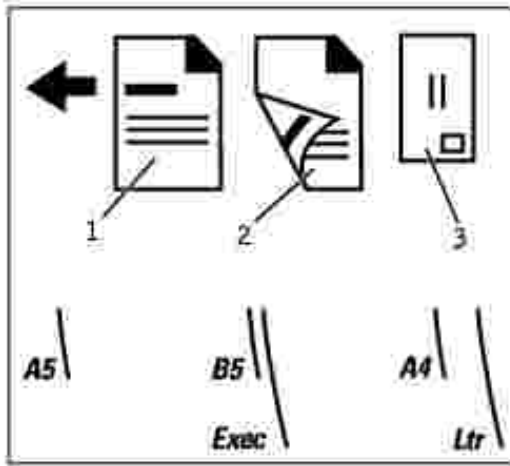
- Width-69.85 mm (2.75 in.) to 229 mm (9.01 in.)
- Length-127 mm (5 in.) to 355.6 mm (14 in.)

Trouble-free printing


- Load only one size and type of print media at a time in the multipurpose feeder.
- To achieve the best possible print quality, use only high-quality print media that is designed for use in laser printers. For more guidelines on print media, see [Print media guidelines](#).
- To prevent jams, do not add or remove print media when there is still print media in the multipurpose feeder or when the printer is printing from the multipurpose feeder.
- Print media should be loaded with the recommended print side up and the top of the print media going into the multipurpose feeder first.
- *Do not* place objects on the multipurpose feeder. Also, avoid pressing down or applying excessive force on it.
- *Do not* remove any tray while a job is printing from the multipurpose feeder or *Busy* is displayed on the operator panel. Doing so may cause a jam.

 **NOTE:** The multipurpose feeder may be used with the optional envelope feeder installed.

The icons on the multipurpose feeder show you how to load the multipurpose feeder with paper, how to turn an envelope for printing, and how to load letterhead paper for simplex and duplex printing. See [Loading letterhead](#) for detailed instructions on loading documents printed on letterhead.



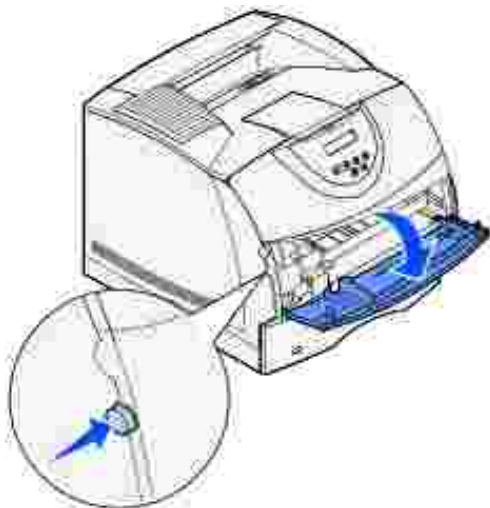
1	Simplex letterhead
2	Duplex letterhead
3	Envelope

 **NOTE:** The Paper Loading menu item in the Paper Menu lets you print simplex jobs on letterhead (or other preprinted media) that has been *loaded specifically for duplex printing*. For more information, see [Paper Loading](#).

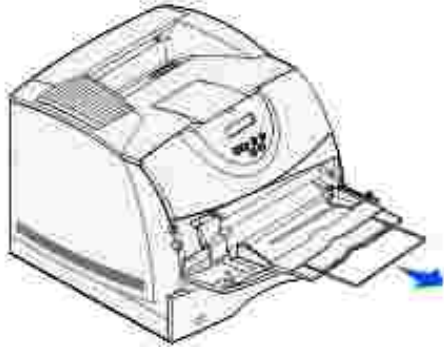
Loading the multipurpose feeder

To load the multipurpose feeder:

1. Press the lower release latch. The multipurpose feeder door drops open.



2. Locate the metal bar in the recessed area on the multipurpose feeder. Pull the bar out far enough to accommodate the print media you will be using.

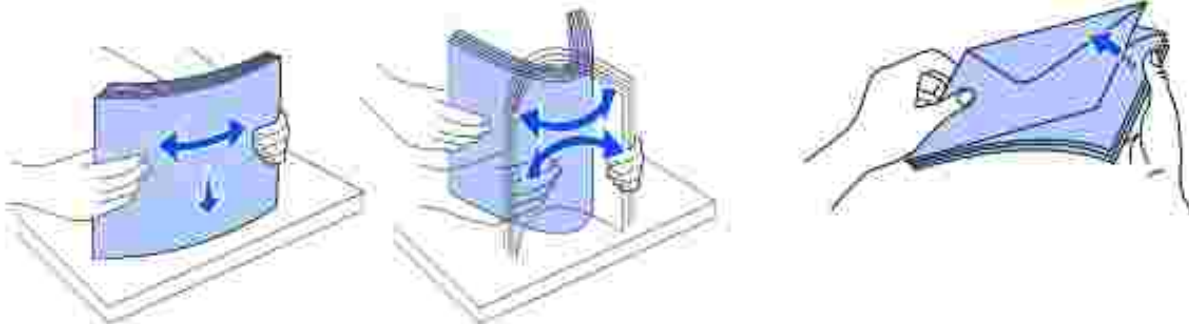


3. Slide the width guide to the far right.

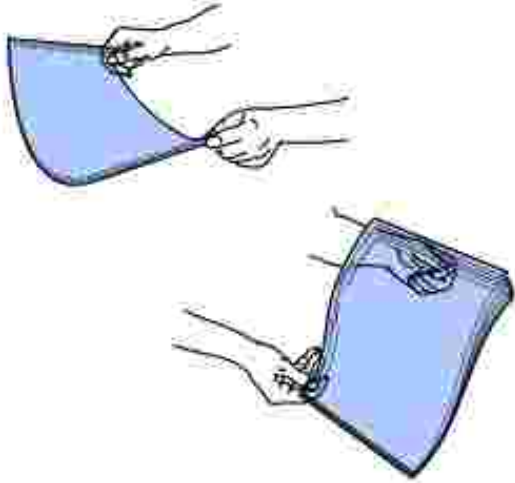


4. Prepare the print media for loading.

- o Flex paper or fan envelopes back and forth. Do not fold or crease the paper. Straighten the edges on a level surface.



- o Hold transparencies by the edges and avoid touching the print side. Fan the stack of transparencies to prevent jams. Be careful not to scratch or leave fingerprints on the transparencies.



5. Use the stack height limiter as a guide for stack height when loading print media.



1	Stack height limiter
---	----------------------

6. Load one type of print media in the multipurpose feeder. *Do not* mix types. Click a topic for loading instructions:

- [Loading paper and transparencies](#)
- [Loading envelopes](#)
- [Loading letterhead](#)

Loading paper and transparencies


- Load paper or transparencies with the left edge of the stack against the stack height limiter and with the recommended print side face up.




- o Continue with [step 2](#).

Loading envelopes

- o Load envelopes flap side down with the stamp area and flap on the left. The end of the envelope with the stamp area enters the multipurpose feeder first.

 **NOTICE:** Never use envelopes with stamps, clasps, snaps, windows, coated linings, or self-stick adhesives. These envelopes may severely damage the printer. The stamp is shown in the illustration only for placement.



 **NOTE:** If envelopes jam while printing, try reducing the number of envelopes in the multipurpose feeder.

- o Continue with [step 2](#).

Loading letterhead

1. Load letterhead paper in the multipurpose feeder as shown.



1



2

1	With no duplex unit attached
2	With a duplex unit attached

2. Gently slide the print media into the multipurpose feeder as far as it will go. Forcing the print media may cause it to buckle.




3. Slide the width guide to the left until it lightly touches the stack of print media. *Do not* bend the print media.



4. Select the source, size, and type from your software application and select print media size and type

from the printer operator panel.

- o Make sure the Paper Size and Paper Type for the multipurpose feeder (MP Feeder Size and MP Feeder Type) are set to the correct value for the print media you are loading. (See [Paper Size](#) and [Paper Type](#) for detailed information about these settings.)
- o Press Go to return to Ready.

 **NOTE:** Software settings may override operator panel settings.

Closing the multipurpose feeder

1. Remove print media from the multipurpose feeder.



2. Push the metal bar straight back to collapse the multipurpose feeder to its short-length position.

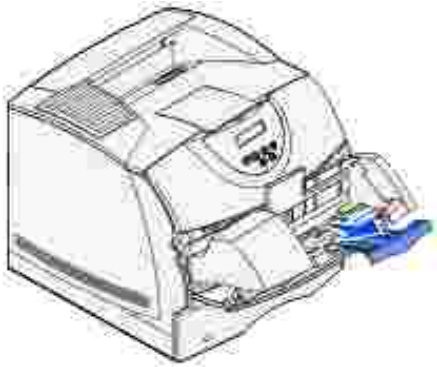


3. Close the multipurpose feeder door.

Using and loading the optional envelope feeder

1. Gently adjust the envelope support for the size you are loading:
 - o Fully closed (pushed in toward the printer) for short envelopes
 - o Extended to the middle position for medium-length envelopes
 - o Fully open (extended to its full length) for long envelopes

 **NOTICE:** *Do not* place objects on the envelope feeder. Avoid pressing down on it or applying excessive force.



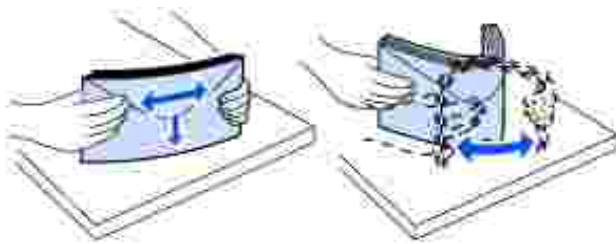
2. Lift the envelope weight back toward the printer. It stays in place.



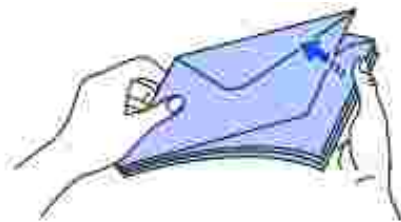
3. Slide the width guide to the far right.




4. Flex a stack of envelopes back and forth and then straighten the edges on a level surface. Press down the corners to flatten them.




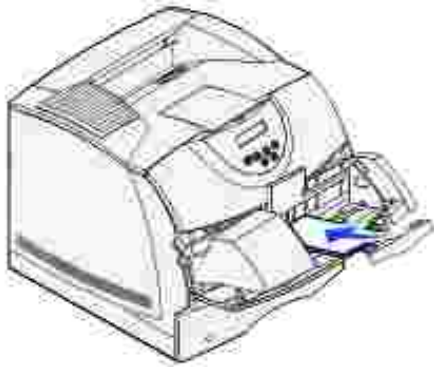
Fan the envelopes. This prevents the edges of the envelopes from sticking together and helps them feed properly.




-  **NOTE:** When you load envelopes, do not exceed the maximum stack height of 64.7 mm (2.55 in.). The envelope feeder holds a maximum of 85 envelopes (75 g/m², 20 lb bond).

5. Load the stack of envelopes flap side down with the stamp area and the flap on the left. The end of the envelopes with the stamp area enters the envelope feeder first. Let the envelopes at the bottom of the stack slide into the envelope feeder slightly more than the ones at the top of the stack.

-  **NOTICE:** Never use envelopes with stamps, clasps, snaps, windows, coated linings, or self-stick adhesives. These envelopes may severely damage the printer. See [Envelopes](#) for more information.

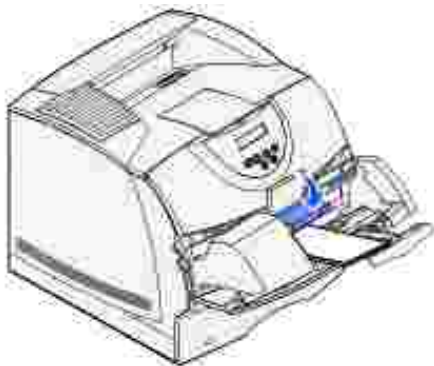


 **NOTE:** Do not try to load more envelopes by forcing them under the envelope weight. This results in jams.

6. Slide the width guide to the left until it lightly touches the stack. Make sure the envelopes do not buckle.




7. Lower the envelope weight to touch the stack.



8. Select the source, size, and type from your software application.
9. Select the envelope size and type from the printer operator panel:
 - o Make sure the Paper Size for the envelope feeder (Env Feeder Size) is set to the correct envelope

size you are loading. (See [Paper Size](#) for detailed information about this setting.)

- o Press Go to return to Ready.

 **NOTE:** Software settings may override operator panel settings.

If envelopes jam, see [Clearing jams](#).

Linking trays

Tray linking enables the automatic linking feature for trays when you load the same size and type of print media in multiple sources. The printer automatically links the trays; when one tray is empty, print media feeds from the next linked tray.

For example, if you have the same size and type of print media loaded in tray 2 and tray 3, the printer selects print media from tray 2 until it becomes empty, and then the printer automatically feeds print media from the next linked tray - tray 3.

If you load the same size print media in each tray, make sure the print media is all the same type in order to link the trays.

Once the trays you selected are loaded with the same size and type of print media, select the same Paper Type setting in the Paper Menu for these sources.

To disable tray linking, set the Paper Type to a unique value in each one of the trays. If all the trays do not have the same type of print media when they are linked, you could mistakenly print a job on the wrong paper type.

Using the duplex function

Duplex printing (or *two-sided printing*) lets you print on both sides of a sheet of paper. For sizes that are acceptable for duplex printing, see [Print media sizes and support](#).

Select Duplex from your printer driver to print individual duplex jobs.

Duplex printing on letterhead

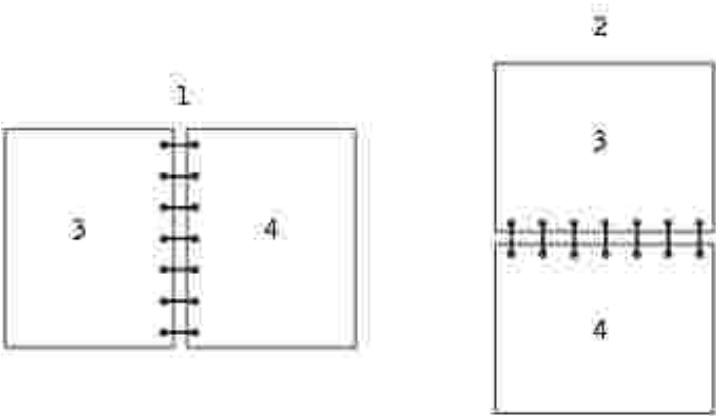
When duplex printing on letterhead from the multipurpose feeder, load it with the logo face down and entering the printer last.

When duplex printing on letterhead from the trays, load it with the logo face up and entering the printer first.

Using Duplex Bind

When you select duplex bind printing in the printer driver, you must select either long edge or short edge binding, which are the values for this setting. The purpose of Duplex Bind is to define the way duplexed pages are bound, and how the printing on the back of the sheet (even-numbered pages) is oriented in relation to the printing on the front (odd-numbered pages).

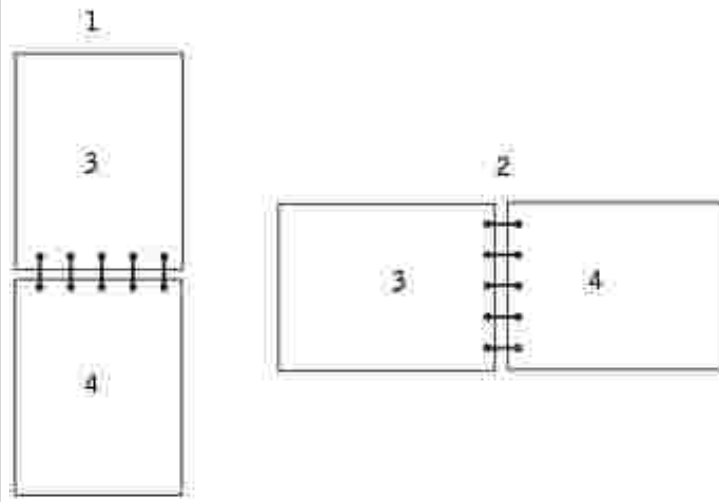
The two values for Duplex Bind are:

<p>Long Edge*</p> <p>The asterisk (*) indicates this is the factory default setting</p>	<p>Assumes binding along the long end of the page (left edge for portrait orientation and top edge for landscape orientation). The following illustration shows long-edge binding for portrait and landscape for portrait and landscape pages:</p> 
---	--

1	Portrait
2	Landscape
3	Back of sheet
4	Front of next sheet

Short Edge

Assumes binding along the short edge of the page (top edge for portrait orientation and left edge for landscape orientation). The following illustration shows short-edge binding for portrait and landscape pages:



1	Portrait
2	Landscape
3	Back of sheet
4	Front of sheet

Using the output bin

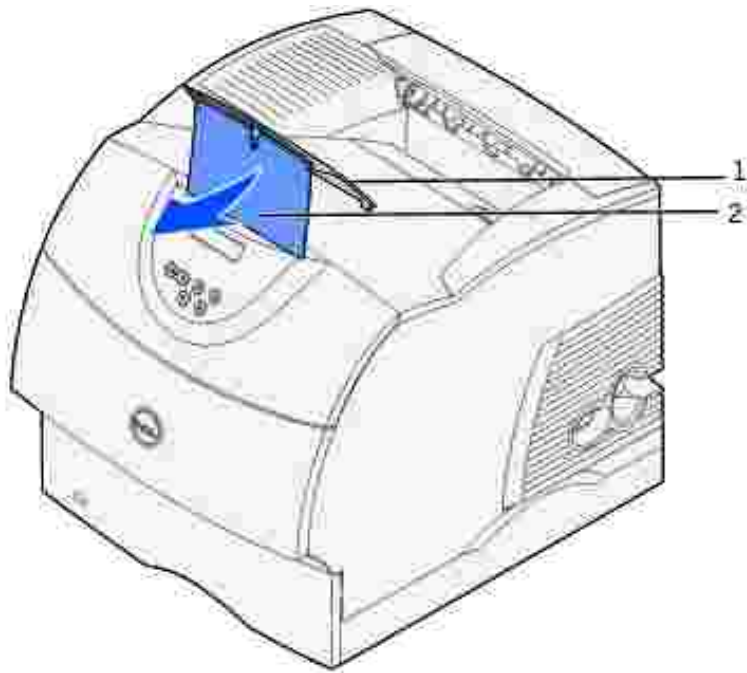
The standard bin holds up to:

- 250 sheets (75 g/m²) of plain paper or
- 300 transparencies or
- 200 labels or
- 50 envelopes (75 g/m²)

Using the support extension

The standard bin has a print media support which keeps print media from sliding into the gap between the standard bin and the upper front door when the door is opened. Underneath the support is an extension for use when printing on legal paper. To use the support extension:

1. Gently lift the support.
2. Pull the support extension down and then forward.



1	Support
2	Support extension

3. Gently releasing the support extension drops it to its open position.



Understanding the operator panel

- [Using the operator panel buttons](#)
 - [Printing a menu settings page](#)
 - [Printing a printer network setup page](#)
 - [Using the operator panel to change printer settings](#)
 - [Using the Dell Printer Configuration Web Tool to change printer settings](#)
 - [Restoring factory default settings](#)
-

Using the operator panel buttons

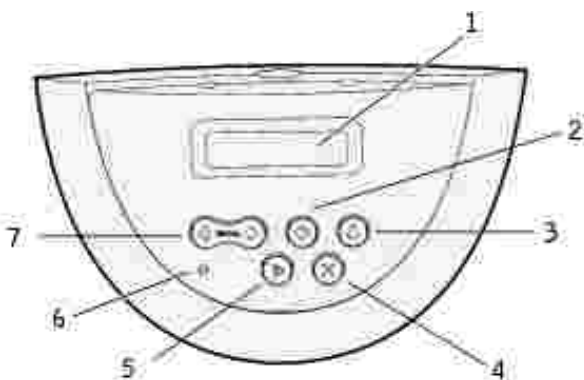
You can change most printer settings from your software application or printer driver. If your printer is attached to the network, you can change settings from the Dell Printer Configuration Web Tool. To launch the Dell Printer Configuration Web Tool, type the printer IP address in your Web browser. Print a network setup page to find your printer's IP address (see [Print and check the network setup page](#)).

Settings you change from the application or printer driver apply only to the job you are preparing to send to the printer.

Changes made to printer settings from a software application override changes made from the printer operator panel.

If you cannot change a setting from your application, use the printer operator panel or the Dell Printer Configuration Web Tool. Changing a printer setting from the printer operator panel or from the Dell Printer Configuration Web Tool makes that setting the user default.

The printer operator panel has a 2-line by 16-character liquid crystal display (LCD), five buttons, and one indicator light that flashes when the printer is processing a job indicated by the Busy message.



1	LCD display	5	Go button
2	Select button	6	Indicator light
3	Return button	7	Menu button
4	Stop button		

Press Menu to:

- Enter and scroll through the menus

Press Select to:

- Select the item on the second line of the display
- Save the selection as the new default setting

Press Return to:

- Return to the previous menu

Press Go to:

- Exit the menus and return to Ready
- Clear messages

Press Stop to:

- Take the printer offline

Indicator light

The indicator light gives information about the status of your printer. If the light is:

- Off, the printer is off
- On, the printer is on, but idle
- Blinking, the printer is on and is busy

Printing a menu settings page

The Menu Settings page lists all the options you purchased or installed. If a feature or an option is not listed, you need to check your installation.

1. Make sure the printer is on.
2. Press Menu until you see `Utilities Menu`, and then press Select.
3. Press Menu until you see `Print Menus`, and then press Select to print the page. The message `Printing Menus` appears on the display.
4. Verify that the options you installed are correctly listed under "Installed Features."
5. If an option you installed is not listed, turn the printer off, unplug the power cord, and reinstall the option.
6. Verify the amount of memory installed is correctly listed under "Printer Information."
7. Verify that any optional trays you installed are configured for the sizes and types of print media you loaded.

When you add or remove an option, remember to update the printer's configuration through your printer driver. The following instructions may vary, depending on your operating system.

1. For Windows XP only: Click Start →Control Panel →Printers and Other Hardware →Printers and Faxes.

For all others: Click Start →Settings →Printers.

2. Right-click the Dell Laser Printer W5300 icon and select Properties.
3. Select the Device tab, and then select the option.
4. Click Update, and then click Apply.

Printing a printer network setup page

If the printer is attached to a network, print a network setup page to verify the network connection. This page also provides important information that helps you configure for network printing.

1. Make sure the printer is on.
2. Press Menu until you see `Utilities Menu`, and then press Select.
3. Press Menu until you see `Print Net Setup`, and then press Select to print the page.
4. Check the first section on the network setup page and confirm that Status is "Connected."

If Status is "Not Connected," your LAN drop may not be active or your network cable may be malfunctioning. Consult your network administrator for a solution. Afterward, print another network

setup page to verify connection to your network.

Using the operator panel to change printer settings

From the operator panel, you can select menu items and associated values to print your jobs successfully. You can also use the panel to alter the setup and operating environment of the printer. See [Using the printer menus](#) for an explanation of all the menu items.

- You can modify printer settings by:
- Selecting a setting from a list of values
- Changing an On/Off setting
- Changing a numerical setting

To select a new value as a setting:

1. From a Ready status message, press Menu. The menu names appear.
2. Continue to press and release Menu until you see the menu you need.
3. Press Select to select the menu or menu item on the second line of the display.
 - If the selection is a menu, the menu is opened and the first printer setting in the menu appears.
 - If the selection is a menu item, the default setting for the menu item appears. (The current user default setting has an asterisk [*] beside it.)

Each menu item has a list of values for the menu item. A value can be:

- A phrase or word to describe a setting
 - A numerical value that can be changed
 - An On or Off setting
4. Press Menu to move to the value you need.
 5. Press Select to select the value on the second line of the operator panel. An asterisk appears beside the value to indicate that it is now the user default setting. The new setting appears for one second, clears, displays the word saved, and then displays the previous list of menu items.
 6. Press Return to go back to previous menus. Make additional menu selections to set new default settings. Press Go if this is the last printer setting you want to change.


User default settings remain in effect until you save new settings or restore the factory defaults. Settings you choose from your software application can also change or override the user default settings you select from the operator panel.

An asterisk (*) next to a value indicates the factory default setting. Factory defaults may differ for different countries.

Factory defaults are the function settings in effect the first time you turn your printer on. These remain in effect until you change them. Factory defaults are restored if you select the Restore value for the Factory Defaults menu item in the Utilities Menu. See [Utilities Menu](#) for more information.

When you select a new setting from the operator panel, the asterisk moves next to the selected setting to identify it as the current user default.

User defaults are the settings you select for different printer functions and store in printer memory. Once stored, these settings remain active until new ones are stored or the factory defaults are restored.

 **NOTE:** Settings you choose from your software application may override the settings you select from the operator panel.

Using the Dell Printer Configuration Web Tool to change printer settings

If your printer is connected to the network, you can change the operator panel settings from your Web browser. If you are a network administrator, you can clone the printer settings of one printer to one, or all, printers on the network.

Type your network printer IP address in your Web browser. Choose Printer Settings from the topics list, and then select the printer settings you want to change.

To copy your printer settings to another printer on the network, choose Copy Printer Settings from the topics list, and then type the other printer's IP address.

If you do not know your printer IP address, it is specified on the network setup page. To print a network setup page:

1. Press Menu until you see `Utilities Menu`, and then press Select.
 2. Press Menu until you see `Print Net Setup`, and then press Select to print a network setup page.
-

Restoring factory default settings

When you first enter the printer menus from the operator panel, you may notice an asterisk (*) next to a value in the menus. This asterisk indicates the *factory default setting*. These settings are the original printer settings. (Factory defaults may vary for different countries.)

When you select a new setting from the operator panel, the *Saved* message appears. When the *Saved* message disappears, an asterisk appears next to the setting to identify it as the current *user default setting*. These settings are active until new ones are stored or the factory defaults are restored.

To restore the original printer factory default settings:

1. Make sure the printer is on and the *Ready* message appears.
2. Press *Menu* until you see *Utilities Menu*, and then press *Select*.
3. Press *Menu* until you see *Factory Defaults*, and then press *Select*.
4. *Restore* appears on the second line of the display.
5. Press *Select*.

The message *Restoring Factory Defaults* appears followed by the *Ready* message.

When you select *Restore*:

- No other button actions are available on the operator panel while *Restoring Factory Defaults* appears.
- All downloaded resources (fonts, macros, and symbol sets) in printer memory (RAM) are deleted.
- All menu settings are returned to the factory default values, except:
 - The operator panel *Display Language* setting in the *Setup Menu*.
 - All settings in the *Parallel Menu*, *Serial Menu*, *Network Menu*, and *USB Menu*.

If you need more information about changing menu settings or selecting new user default settings, see [Using the operator panel to change printer settings](#).

Understanding printer menus

- [Using the printer menus](#)
- [Disabling operator panel menus](#)
- [Enabling menus](#)

If your printer is configured as a network printer available to a number of users, it is possible that `Menu Disabled` appears on the display when you press `Menu` from the `Ready` state. Disabling the menus prevents other users from using the operator panel to inadvertently change a printer user default that has been set by the administrator. You can still clear messages and select items from the `Job Menu` when printing a job, but you cannot change other printer settings. However, you can use your printer driver to override printer user defaults and select settings for individual print jobs.

For more information, see [Disabling operator panel menus](#).

Using the printer menus

Select a menu from the following list for more information.

Finishing Menu	PostScript Menu
Job Menu	Quality Menu
Network Menu	Setup Menu
Paper Menu	USB Menu
PCL Emul Menu	Utilities Menu

Paper Menu

Use the `Paper Menu` to define the print media loaded in each tray and the default source and output bin.

Select a menu item for more details:

Configure MP	Paper Texture
Custom Types	Paper Type
Envelope Enhance	Paper Weight
Paper Loading	Substitute Size
Paper Size	Universal Setup
Paper Source	

 NOTE: Values marked by an asterisk (*) are the factory default settings.

Paper Source

Purpose:

To identify the default source.

Values:

Tray <x> (Tray 1*)
MP Feeder
Env Feeder
Manual Paper
Manual Env

If you loaded the same size and type of paper in two sources (and the Paper Size and Paper Type menu items are correctly set), the trays are automatically linked. When one source is empty, paper automatically feeds from the next linked source.

Paper Size

Purpose:

To identify the default print media size for each source. For trays with automatic size sensing, only the value detected by the hardware is displayed.

Values:

First select a source.

Tray <x> Size	Env Feeder Size	MP Feeder Size
Manual Pap Size	Manual Env Size	

Then select a value (*denotes country-specific factory default values):

Letter*	A4*	10 Envelope*	9 Envelope
Legal	A5	DL Envelope*	B5 Envelope
Executive	B5	C5 Envelope	Other Envelope
Statement	Folio	7 3/4 Envelope	
Universal	Select Universal when you load paper that does not match any of the other available sizes. The printer automatically formats the page for the maximum possible size. You can then set the actual page size from your application software.		

Paper Type

Purpose:

To identify the type of paper installed in each source.

Values:

First select a source:


Tray <x> Type	Env Feeder Type	MP Feeder Type
Manual Pap Type	Manual Env Type	

Then select a value:

<i>Plain Paper</i>	<i>Labels</i>	<i>Preprinted</i>	<i>Envelope</i>
<i>Card Stock</i>	<i>Bond</i>	<i>Custom Type <x></i>	<i>Colored Paper</i>
<i>Transparency</i>	<i>Letterhead</i>		

The Paper Type default for each envelope source is Envelope. The Paper Type default for each paper tray is as follows:

Tray 1–Plain Paper	Tray 4–Custom Type 4
Tray 2–Custom Type 2	Tray 5–Custom Type 5
Tray 3–Custom Type 3	Manual Pap Type–Plain Paper

 **NOTE:** If a user-defined name is available, it is displayed instead of Custom Type <x>. The user-defined name is truncated to 14 characters. If two or more custom types share the same name, the name only appears once in the Paper Type value list.

Use this menu item to:

- Optimize print quality for the specified paper.
- Select sources through your software application by selecting type and size.
- Automatically link sources. Any sources containing the same type and size of paper are automatically linked by the printer, if you have set the Paper Size and the Paper Type to the correct values.

See also:

[Custom Types](#)


Custom Types

Purpose:

To specify the kind of paper associated with each of the Custom Types available in the Paper Type menu item.

Values (for Custom Type <x>, where <x> represents 1 through 6):

Paper*	Labels
Card Stock	Envelope
Transparency	

 **NOTE:** If a user-defined name is available, it is displayed instead of Custom Type <x>. The user-defined name is truncated to 14 characters. If two or more custom types share the same name, the name only appears once in the Custom Types value list.

Universal Setup

Purpose:

To determine the default size when the Paper Size setting for a tray or feeder is Universal.

Values:

First select a unit of measure (denotes a country-specific factory default value):*

Inches*
Millimeters*

Then select the values:

Portrait Width	=3.00–14.17 in. (8.5 in.*)	=76–360 mm (216 mm*)
Portrait Height	=3.00–14.17 in. (14.00 in.*)	=76–360 mm (360 mm*)
Feed Direction	=Short Edge*	
	=Long Edge	

See also:

[Print media sizes and support](#)

Substitute Size

Purpose:

To have the printer substitute the specified size if the requested size is not loaded.

Values:

Off	Printer prompts the user to load the requested size.
Statement/A5	Prints A5 size jobs on statement size paper if only statement size paper is loaded, and prints statement size jobs on A5 paper if only A5 paper is loaded.
Letter/A4	Prints A4 size jobs on letter size paper if only letter size paper is loaded, and prints letter size jobs on A4 size paper if only A4 size paper is loaded.
All Listed*	Substitutes both Letter/A4 and Statement/A5.

Configure MP

Purpose:

To determine when the printer selects paper loaded in the multipurpose feeder.

Values:

Cassette*	Printer treats the multipurpose feeder like any other paper tray. If a print job requests a size or type that is only loaded in the multipurpose feeder, the printer pulls paper from the multipurpose feeder for the job.
Manual	Printer treats the multipurpose feeder like a manual feed tray, and displays Load Manual when you need to insert a single sheet of paper in the feeder.
First	Printer pulls paper from the multipurpose feeder until it is empty, regardless of the source or size requested for the job.
Change MP Feeder	Changes the default paper source to the multipurpose feeder.

Envelope Enhance

Purpose:

To ensure high quality printed envelopes and minimize envelope wrinkling.

Values:

Off	Prints envelopes as any other printed material.
On*	Modifies the printing process to prevent wrinkling as envelopes move through the fuser.

If Envelope Enhance is On, you will hear a tapping sound as the envelopes print. We recommend you leave Envelope Enhance set to On unless the tapping sound is too loud for your work area. To eliminate this sound, select Off. Print a few envelopes. If the quality of print is acceptable, leave Envelope Enhance set to Off. If envelopes crease or wrinkle, select On.

Paper Texture

Purpose:

To identify the texture of the paper loaded in a specific source and to ensure that characters print clearly.


Values:

First select a paper type:

Plain Texture	Preprint Texture	Bond Texture	Labels Texture
Card Stock Text	Colored Texture	Envelope Texture	Ltrhead Texture
Trnsprncy Text	Custom <x> Texture		

Then select a value:

<i>Smooth</i>
<i>Normal*</i>
<i>Rough</i>

 **NOTE:** The default for Bond Texture is Rough instead of Normal. If a user-defined name is available for a custom Type, then the name is displayed instead of Custom <x> Texture. The name is truncated to 14 characters.

Use Paper Texture in connection with the Paper Type and Paper Weight menu items. You may need to change those menu items to optimize print quality for your specific paper.

See also:

[Paper Type](#); [Paper Weight](#)

Paper Weight

Purpose:

To identify the relative weight of the paper loaded in a specific source and ensure that the toner adheres properly to the printed page.


Values:

First select a paper type:

Plain Weight	Preprint Weight	Bond Weight	Labels Weight
Cardstock Weight	Colored Weight	Envelope Weight	Ltrhead Weight
Trnsprncy Weight	Custom <x> Weight		

Then select a value:


Light
Normal*
Heavy

 **NOTE:** If a user-defined name is available, it is displayed instead of Custom <x> Weight. The name is truncated to 14 characters.

Paper Loading

Purpose:

To properly handle preprinted paper loaded in a tray, whether the job is a duplexed job or a single-sided job.

 **NOTE:** The Paper Loading menu item is only available when a duplex option has been installed on the printer.


Values:

First select a paper type:

Card Stock Load	Colored Loading	Ltrhead Loading	Bond Loading
Labels Loading	Custom <x> Loading	Preprint Loading	

Then select a value:

Duplex	Notifies the printer that the specified paper type is loaded properly for duplex printing. If the printer receives a single-sided job using that paper type, the printer inserts blank pages as necessary to print the job properly on preprinted forms. This setting may slow single-sided printing.
Off*	Printer assumes preprinted material is loaded for single-sided printing. Duplexed jobs may not print properly.

 **NOTE:** If a user-defined name is available, it is displayed instead of Custom <x> Loading. The name is truncated to 14 characters.

See also:

[Loading print media in standard and optional trays](#); [Loading letterhead](#)

Finishing Menu

Use the Finishing Menu to define how the printer delivers the printed output.

Select a menu item for more details:

Blank Pages	Multipage Order
Collation	Multipage Print
Copies	Multipage View
Duplex	Separator Sheets
Duplex Bind	Separator Source
Multipage Border	

 NOTE: Values marked by an asterisk (*) are the factory default settings.

Duplex

Purpose:

To set duplexing as the default for all print jobs. (Select Duplex from the printer driver to duplex only specific jobs.)

The Duplex menu item is only available when a duplex option has been installed on the printer.

Values:

Off*	Prints on one side of the paper.
On	Prints on both sides of the paper.

See also:

[Duplex Bind](#)

Duplex Bind

Purpose:

To define the way duplexed pages would be bound, and how the printing on the back of the sheet (even-numbered pages) is oriented in relation to the printing on the front (odd-numbered pages).

The Duplex Bind menu item is only available when a duplex option has been installed on the printer.

Values:

Long Edge*	Assumes binding along the long end of the page (left edge for portrait orientation and top edge for landscape orientation).
Short Edge	Assumes binding along the short edge of the page (top edge for portrait orientation and left edge for landscape orientation).

See also:

[Duplex](#)

Copies

Purpose:

To set the number of copies you want for the printer default value. (Set the number of copies required for a specific job from the printer driver. Values selected from the printer driver always override values selected from the operator panel.)

Values:

1...999 (1*)

See also:

[Collation](#)

Blank Pages

Purpose:

To specify whether to include application-generated blank pages as part of your printed output.

Values:

Do Not Print*	Does not print application-generated blank pages as part of your job.
Print	Prints application-generated blank pages as part of your job.

Collation

Purpose:

To keep the pages of a print job stacked in sequence, particularly when printing multiple copies of the job.

Values:

Off*	Prints each page of a job the number of times specified by the Copies menu item. For example, if you set Copies to 2 and send three pages to print, the printer prints page 1, page 1, page 2, page 2, page 3, page 3.
On	Prints the entire job the number of times specified by the Copies menu item. For example, if you set Copies to 2 and send three pages to print, the printer prints page 1, page 2, page 3, page 1, page 2, page 3.

Separator Sheets

Purpose:

To insert blank separator sheets between jobs, between multiple copies of a job, or between each page of a job.

Values:

None*	Does not insert separator sheets.
Between Copies	Inserts a blank sheet between each copy of a job. If Collation is Off, a blank page is inserted between each set of printed pages (all page 1's, all page 2's, and so on). If Collation is On, a blank page is inserted between each collated copy of the job.
Between Jobs	Inserts a blank sheet between jobs.
Between Pages	Inserts a blank sheet between each page of a job. This is useful if you are printing transparencies or want to insert blank pages in a document for notes.

See also:

[Separator Source](#); [Collation](#)

Separator Source

Purpose:

To specify the source that holds separator sheets.

Values:

Tray <x> (Tray 1*)	Selects separator sheets from the specified tray.
MP Feeder	Selects separator sheets from the multipurpose feeder. (You must also set Configure MP to Cassette.)
Env Feeder	Inserts envelopes as separator sheets.

See also:

[Separator Sheets](#); [Configure MP](#)

Multipage Print

Purpose:

To print multiple page images on one side of a sheet of paper. Also called *N-Up* or *Paper Saver*.

Values:

Off*	Prints 1 page image per side.	6 Up	Prints 6 page images per side.
2 Up	Prints 2 page images per side.	9 Up	Prints 9 page images per side.
3 Up	Prints 3 page images per side.	12 Up	Prints 12 page images per side.
4 Up	Prints 4 page images per side.	16 Up	Prints 16 page images per side.

See also:

[Multipage Border](#); [Multipage Order](#); [Multipage View](#)

Multipage Order

Purpose:

To determine the positioning of multiple page images when using Multipage Print. The positioning depends on the number of images and whether the images are portrait or landscape in orientation.

Values:

Horizontal*
Vertical
Rev Horizontal
Rev Vertical

See also:

[Multipage Print](#)

Multipage View

Purpose:

To determine the orientation of a multipage sheet.

Values:

Auto*	Lets the printer choose between portrait and landscape orientation.
Long Edge	Sets the long edge of the paper as the top of the page (landscape).
Short Edge	Sets the short edge of the paper as the top of the page (portrait).

See also:

[Multipage Print](#)

Multipage Border

Purpose:

To print a border around each page image when using Multipage Print.

Values:

None*	Does not print a border around each page image.
Solid	Prints a solid line border around each page image.

See also:

[Multipage Print](#)

Utilities Menu

Use the Utilities Menu to print a variety of listings relating to available printer resources, printer settings, and print jobs. Other menu items let you set up printer hardware and troubleshoot printer problems.

Select a menu item for more details:

Factory Defaults	Print Menus
Hex Trace	Print Net <x> Setup
Print Fonts	



NOTE: Values marked by an asterisk (*) are the factory default settings.

Print Menus

Purpose:

To print a listing of the current user default values, the installed options, the amount of installed printer memory, and the status of printer supplies.

Print Net <x> Setup

Purpose:

To print information relating to the internal print server and the network settings defined by the Network <x> Setup menu item in the Network Menu.

See also:

[USB Menu](#)

Print Fonts

Purpose:

To print a sample of all the fonts available for the selected printer language.

Values:

PCL Fonts	Prints a sample of all printer fonts available for PCL emulation.
PS Fonts	Prints a sample of all printer fonts available for PostScript emulation.

See also:

[Understanding fonts](#); [Printing a font sample list](#)

Factory Defaults

Purpose:

To return your printer settings to the factory default values.

Values:

Restore	<ul style="list-style-type: none"> All menu items are returned to the factory default values except: <ul style="list-style-type: none"> Display Language. All settings in the Parallel Menu, Serial Menu, Network Menu, and USB Menu. All downloaded resources (fonts, macros, and symbol sets) in printer memory (RAM) are deleted.
Do Not Restore	User-defined settings remain.

Hex Trace

Purpose:

To help isolate the source of a print job problem. With Hex Trace selected, all data sent to the printer is printed in hexadecimal and character representation. Control codes are not executed.

To exit Hex Trace, turn the printer off or reset the printer from the Job Menu.

Job Menu

The Job Menu is only available when the printer is busy processing or printing a job, when a printer message is displayed, or when the printer is in Hex Trace mode. Press Menu to open the Job Menu.

Select a menu item for more details:

Cancel Job	Print Buffer
Confidential Job	Reset Printer
Held Jobs	



NOTE: Values marked by an asterisk (*) are the factory default settings.

Confidential Job

Purpose:

To print confidential jobs stored in printer memory. (When the confidential job prints, it is automatically deleted from printer memory.)

First enter the Personal Identification Number (PIN) associated with your confidential job:

Enter PIN	Use the operator panel buttons to enter the PIN associated with your confidential job.
-----------	--

Then select a value:

Print All Jobs	Prints all jobs associated with your PIN.
Print A Job	Prints the specified confidential job. Press Menu to scroll through the list of confidential jobs associated with your PIN. Press Select to print a specific job.
Delete All Jobs	Deletes all jobs associated with your PIN.
Delete A Job	Deletes the specified confidential job. Press Menu to scroll through the list of confidential jobs associated with your PIN. Press Select to delete a specific job.
Copies	Determines the number of copies printed for each confidential job. Press Menu to scroll through the list of confidential jobs associated with your PIN. Press Select to specify the job you want to print. Press Menu to increase or decrease the number of copies, and then press Select.

See also:

[Using the Print and Hold function](#); [Confidential jobs](#)

Held Jobs

Purpose:

To print Reserve Print, Repeat Print, or Verify Print jobs stored in printer memory.

Values:

Print All Jobs	Prints all held jobs.
Print A Job	Prints the specified held job. Press Menu to scroll through the list of held jobs. Press Select to print the specific job.
Delete All Jobs	Deletes all held jobs.
Delete A Job	Deletes the designated held job. Press Menu to scroll through the list of held jobs. Press Select to delete the job.
Copies	Determines the number of copies for each held job. Press Menu to scroll through the list of held jobs. Press Select to specify the job you want to print. Press Menu to increase or decrease the number of copies, and then press Select.

See also:

[Using the Print and Hold function](#); [Printing and deleting held jobs](#); [Accessing held jobs from the operator panel](#)

Cancel Job

Purpose:

To cancel the current print job.

 **NOTE:** Cancel Job is only displayed if the printer is processing a job or has a job in printer memory.


See also:

[Canceling a print job](#)

Reset Printer

Purpose:


To reset the printer to the user default value for each menu item, delete all downloaded resources (fonts, macros, and symbol sets) stored in printer memory (RAM), and delete all data in the interface link buffer.

 **NOTE:** Before selecting Reset Printer, exit the software application you are using.

Print Buffer

Purpose:

To print any data stored in the print buffer.

 **NOTE:** Print Buffer is only available when you enter the Job Menu while `waiting` is displayed. The `Waiting` state occurs if an incomplete job is sent to the printer or an ASCII job, such as a print screen command, is printing.

Quality Menu

Use the Quality Menu to change printer settings affecting the quality of printed characters and images.

Select a menu item for more details:

[PictureGrade](#)

[Print Resolution](#)

[Toner Darkness](#)

 NOTE: Values marked by an asterisk (*) are the factory default settings.

Print Resolution

Purpose:

To define the number of dots printed per inch (dpi). The higher the value, the sharper the clarity of printed characters and graphics.

Values:

300 dpi	Offers a lower resolution printing option when memory is at a premium.
600 dpi*	Produces high quality output for print jobs that are mostly text.
1200 Image Q	Uses line screening for print jobs that contain bitmapped images, such as scanned photos.
1200 dpi	Produces highest quality output for jobs where print speed is not important and memory is abundant.

Toner Darkness

Purpose:

To lighten or darken text images, or conserve toner.

Values:

1	6
2	7
3	8*
4	9
5	10

Select a lower value for finer line width and lighter grayscale images. Select a higher value for bolder line widths or darker grayscale images. Select 10 for very bold text. Select a value less than 7 to conserve toner.

On the operator panel display, a vertical bar (|) indicates the factory default value. An arrow symbol (V) indicates a user default value.

PictureGrade

Purpose:

To improve the quality of grayscale printing at 300 and 600 dots per inch (dpi) in PostScript emulation.

Values:

On*	Uses modified screening parameters to improve print quality of graphics.
Off	Uses standard screening parameters.

Setup Menu

Use the Setup Menu to configure a variety of printer features.

Select a menu item for more details:

Alarm Control	Power Saver
Asset Tag	Print Timeout
Auto Continue	Printer Language
Dell Service Tag	Resource Save
Display Language	Toner Alarm
Jam Recovery	Wait Timeout
Page Protect	Quick Start

 NOTE: Values marked by an asterisk (*) are the factory default settings.


Printer Language

Purpose:

To establish the default printer language used to communicate data from the computer to the printer.

Values:

PCL Emulation*	PCL emulation, compatible with Hewlett-Packard printers.
PS Emulation	PostScript emulation, compatible with Adobe PostScript language.

 NOTE: Setting a printer language as the default does not prevent a software application from sending print jobs that use the other language.

Power Saver

Purpose:

To specify the amount of time (in minutes) the printer waits after a job is printed before it goes into a reduced power state.

Values:

Disabled	Disables Power Saver; the fuser remains warm and ready to print at all times.
1...240	Specifies the amount of time after a print job before the printer goes into Power Saver mode. (Your printer may not support the entire range of values.)

The factory default Power Saver setting depends on your printer model. Print the menu settings page to determine the current Power Saver setting. When the printer is in Power Saver mode, it is still ready to receive print jobs.

Select 1 to put the printer in Power Saver mode one minute after it finishes a print job. This uses much less energy, but requires more warm-up time for the printer. Select 1 if your printer shares an electrical circuit with room lighting and you notice lights flickering.

Select a high value if your printer is in constant use. Under most circumstances, this keeps the printer ready to print with minimum warm-up time. Select a value between 1 and 240 minutes if you want a balance between energy consumption and a shorter warm-up period.

Quick Start

Purpose:

To specify whether the printhead in the printer idles at a lower speed after a job is printed. The printhead idles until the printer goes into a reduced power state. A printhead is the device responsible for writing to the print cartridge which later transfers toner to the print media in the text or graphic pattern specified in the print job during the printing process.

Enable Quick Start for the best performance whenever the printer is not in Power Saver mode. The maximum time the printer allows the printhead to idle after a job prints is 240 minutes. Quick Start can reduce the total print job time by as much as 1 to 2 seconds based on the printer model and job complexity.

Values:

On*	Enables Quick Start. The printer causes the printhead to idle at a lower speed after a job prints. The printhead idles until the printer enters Power Saver mode.
Off	Disables Quick Start. The printer turns the printhead off after a job prints.

See also:

[Power Saver](#)

Resource Save

Purpose:

To determine what the printer does with downloaded resources, such as fonts and macros stored in RAM, if the printer receives a job that requires more memory than is available.

Values:

Off*	Printer retains downloaded resources only until memory is needed. It then deletes those resources associated with the inactive printer language.
On	Printer retains all downloaded resources for all printer languages during language changes and printer resets. If the printer runs out of memory, 38 Memory Full is displayed.

Print Timeout

Purpose:

To specify the amount of time (in seconds) the printer waits before printing the last page of a print job that does not end with a command to print the page. The print timeout counter does not start until `waiting` is displayed.

Values:

Disabled	The printer does not print the last page of a print job until one of the following occurs: <ul style="list-style-type: none">• The printer receives enough information to fill the page.• The printer receives a Form Feed command.• You select Print Buffer from the Job Menu.
1...255 (90*)	The printer prints the last page after the specified time. (Your printer may not support the entire range of values.)

See also:

[Print Buffer](#)


Wait Timeout

Purpose:

To specify the amount of time (in seconds) the printer waits to receive additional bytes of data from the computer. When this timeout expires, the print job is canceled.

Values:

Disabled	Disables Wait Timeout.
15...65535 (40*)	Specifies the amount of time the printer waits for additional data before it cancels the job.

 **NOTE:** Wait Timeout is only available when you use PostScript emulation. This menu item has no effect on PCL emulation print jobs.

Auto Continue

Purpose:

To define the amount of time (in seconds) the printer waits after displaying an operator intervention error message before it resumes printing.

Values:

Disabled*	Printer does not resume printing until someone clears the error message.
5...255	Printer waits the specified amount of time, and then automatically resumes printing. This timeout value also applies if the menus are displayed (and the printer is offline) for the specified period of time.

Jam Recovery

Purpose:

To establish whether the printer reprints jammed pages.

Values:

On	Printer reprints jammed pages.
Off	Printer does not reprint jammed pages.
Auto*	Printer reprints a jammed page unless the memory required to hold the page is needed for other printer tasks.

Page Protect

Purpose:

To successfully print a page that may otherwise generate Complex Page errors.

Values:

Off*	Prints a partial page of data if memory is insufficient to process the entire page.
On	Ensures that an entire page is processed before it prints.

If, after selecting On, you still cannot print the page, you may also have to reduce the size and number of fonts on the page, or increase the installed printer memory.

For most print jobs, you do not need to select On. When On is selected, printing may be slower.

Display Language

Purpose:

To determine the language of the text on the operator panel display.

Values:

English	Norsk
Français	Nederlands
Deutsch	Svenska
Italiano	Português
Español	Suomi
Dansk	Japanese

Alarm Control

Purpose:

To establish whether the printer sounds an alarm when the printer requires operator intervention.

Values:

Off	Printer does not sound an alarm.
Single*	Printer sounds three quick beeps.
Continuous	Printer repeats three beeps every 10 seconds.

Toner Alarm

Purpose:

To specify how the printer responds when it is out of toner.

Values:

Off*	An error message is displayed until someone replaces the toner cartridge. If an Auto Continue value is selected from the Setup Menu, the printer resumes printing after the specified timeout value.
Single	Printer stops printing, displays an error message, and sounds three quick beeps.
Continuous	Printer stops printing, displays an error message, and repeats three beeps every 10 seconds until the toner cartridge is replaced.


See also:

[Auto Continue](#)

Asset Tag

Purpose:

The asset tag number is used for printer inventory records. Enter the asset tag number that is assigned to the printer.

 **NOTE:** The Asset Tag menu item is only available through the Dell Printer Configuration Web Tool. For more information, see [Dell Printer Configuration Web Tool](#).

Dell Service Tag

Purpose:

The service tag number is required when calling for service. Enter the service tag number from the label on the back of the printer.

 **NOTE:** The Dell Service Tag menu item is only available through the Dell Printer Configuration Web Tool. For more information, see [Dell Printer Configuration Web Tool](#).

PCL Emul Menu

Use the PCL Emul Menu to change printer settings that only affect jobs using the PCL emulation printer language.

Select a menu item for more details:

A4 Width	Orientation
Auto CR after LF	Pitch
Auto LF after CR	Point Size
Font Name	Symbol Set
Font Source	Tray Renumber
Lines per Page	

 **NOTE:** Values marked by an asterisk (*) are the factory default settings.

Font Source

Purpose:

To determine the set of fonts displayed in the Font Name menu item.

Values:

Resident*	Displays all fonts resident in printer RAM when the printer ships from the factory.
Download	Displays all fonts downloaded to printer RAM.
All	Displays all fonts available to the printer from all sources.

See also:

[Font Name](#)

Font Name

Purpose:

To choose a specific font from the specified font source.

Values:

R0 Courier 10*

The font name and font ID for all fonts in the selected font source are displayed. The font source abbreviation is R for resident and D for download.

See also:

[Font Source](#)

Point Size

Purpose:

To change the point size for scalable typographic fonts.

Values:

1...1008 (in increments of 0.25 points)

12*

Point size refers to the height of the characters in the font. One point equals approximately 1/72 of an inch. You can select point sizes from 1 to 1008 in increments of 0.25 points.



NOTE: Point Size is only displayed for typographic fonts.

See also:

[Pitch and point size](#)

Pitch

Purpose:

To specify the font pitch for scalable monospaced fonts.

Values:

0.08...100 (in increments of 0.01 cpi)
--

10*

Pitch refers to the number of fixed-space characters in a horizontal inch of type. You can select a pitch from 0.08 to 100 characters per inch (cpi) in increments of 0.01 cpi. For nonscalable monospaced fonts, the pitch is displayed, but cannot be changed.

 **NOTE:** Pitch is only displayed for fixed, or monospaced, fonts.

See also:

[Pitch and point size](#)

Symbol Set

Purpose:

To choose a symbol set for a specified font name.

Values:

10U PC-8* (country/region-specific factory default values)
--

12U PC-850* (country/region-specific factory default values)
--

A symbol set is a set of alphabetic and numeric characters, punctuation, and special symbols used when printing with a selected font. Symbol sets support the different requirements for languages or specific applications, such as math symbols for scientific text. Only the symbol sets supported for the selected font name are displayed.

See also:

[Font Name](#)

Orientation

Purpose:

To determine how text and graphics are oriented on the page.

Values:

Portrait*	Prints text and graphics parallel to the short edge of the paper.
-----------	---

Landscape	Prints text and graphics parallel to the long edge of the paper.
-----------	--

Lines per Page

Purpose:

To determine the number of lines that print on each page.

Values:

1...255
60* (country-specific factory default values)
64* (country-specific factory default values)

The printer sets the amount of space between each line (vertical line spacing) based on the Lines per Page, Paper Size, and Orientation menu items. Select the correct Paper Size and Orientation before changing Lines per Page.

See also:

[Orientation](#); [Paper Size](#)

A4 Width

Purpose:

To select the width of the logical page for A4 size paper.

Values:

198 mm*	Makes the logical page compatible with the Hewlett-Packard LaserJet 5 Printer.
203 mm	Makes the logical page wide enough to print eighty 10-pitch characters.

Tray Renumber

Purpose:

To configure your printer to work with printer drivers or applications that use different source assignments for the paper trays.

First select a source:

Assign Tray <x>	Assign Env Feeder	Assign Man Env
Assign MP Feeder	Assign Man Paper	

Then select a value:

Off*	Printer uses factory default source assignments.
0...199	Select a numeric value to assign a custom value to a source.
None	Source ignores the Select Paper Feed command.

Other Tray Renumber selections:

View Factory Def	Press Menu to display the factory default value assigned to each source.
Restore Defaults	Select Yes to return all tray assignments to factory default values.

Auto CR after LF

Purpose:

To specify whether the printer automatically performs a carriage return after a line feed control command.

Values:

Off*	Printer does not perform a carriage return after a line feed control command.
On	Printer performs a carriage return after a line feed control command.

Auto LF after CR

Purpose:

To specify whether the printer automatically performs a line feed after a carriage return control command.

Values:

Off*	Printer does not perform a line feed after a carriage return control command.
On	Printer performs a line feed after a carriage return control command.

PostScript Menu

Use the PostScript Menu to change printer settings that only affect jobs using the PostScript emulation printer language.

Select a menu item for more details:

Print PS Error

 NOTE: Values marked by an asterisk (*) are the factory default settings.

Print PS Error

Purpose:

To print a page defining the PostScript emulation error when an error occurs.

Values:

Off*	Discards the print job without printing an error message.
On	Prints an error message before it discards the job.

Network Menu

Use the Network Menu to change printer settings affecting jobs sent to the printer through a network port (Standard Network).

Select a menu item for more details:

Network Buffer	PCL SmartSwitch
NPA Mode	PS SmartSwitch
MAC Binary PS	STD Net Setup

 NOTE: Values marked by an asterisk (*) are the factory default settings.

PCL SmartSwitch

Purpose:

To configure the printer so it automatically switches to PCL emulation when a print job received through the network port requires it, regardless of the default printer language.

Values:

On*	Printer examines data on the network interface and selects PCL emulation if the data indicates that is the required printer language.
Off	Printer does not examine the incoming data. The printer uses PostScript emulation to process the job if PS SmartSwitch is On, or uses the default printer language specified in the Setup Menu if PS SmartSwitch is Off.

See also:

[PS SmartSwitch](#); [Printer Language](#)

PS SmartSwitch

Purpose:

To configure the printer so it automatically switches to PostScript emulation when a print job received through the network port requires it, regardless of the default printer language.

Values:

On*	Printer examines data on the network interface connection and selects PostScript emulation if the data indicates that is the required printer language.
Off	Printer does not examine the incoming data. The printer uses PCL emulation to process the job if PCL SmartSwitch is On, or uses the default printer language specified in the Setup Menu if PCL SmartSwitch is Off.

See also:

[PCL SmartSwitch](#); [Printer Language](#)

NPA Mode

Purpose:

To specify whether the printer performs the special processing required for bidirectional communication, following the conventions defined in the Network Printing Alliance (NPA) Protocol.

Values:

On	Printer performs NPA processing. If data is not in NPA format, it is rejected as bad data.
Off	Printer does not perform NPA processing.
Auto*	Printer examines the data to determine the format and then processes it appropriately.

 **NOTE:** Changing this menu item automatically resets the printer.


Network Buffer

Purpose:

To configure the size of the network input buffer.

Values:

Auto*	Printer automatically calculates the Network Buffer size (recommended setting).
3K to maximum size allowed	User specifies the Network Buffer size. The maximum size depends on the amount of memory in your printer, the size of the other link buffers, and whether Resource Save is set to On or Off. To maximize the range for the Network Buffer size, disable or reduce the size of the parallel, serial, and USB buffers.

 **NOTE:** Changing the Network Buffer menu item automatically resets the printer.

See also:

[Resource Save](#)

MAC Binary PS

Purpose:

To configure the printer to process Macintosh binary PostScript print jobs.

Values:

On	Printer processes raw binary PostScript print jobs from computers using the Macintosh operating system. This setting often causes Windows print jobs to fail.
Off	Printer filters PostScript print jobs using standard protocol.
Auto*	Printer processes print jobs from computers using either Windows or Macintosh operating systems.

STD Net Setup

Purpose:

To configure an internal print server.

Values:

Values for this menu item are supplied by the specific print server. Select the menu item to see the available values.

Refer to the documentation on the *Drivers and Utilities* CD for more information.

USB Menu

Use the USB Menu to change printer settings affecting a Universal Serial Bus (USB) port (USB Option <x>).

Select a menu item for more details:

NPA Mode	PS SmartSwitch
PCL SmartSwitch	USB Buffer
MAC Binary PS	

 NOTE: Values marked by an asterisk (*) are the factory default settings.

PCL SmartSwitch

Purpose:

To configure the printer so it automatically switches to PCL emulation when a print job received through the USB port requires it, regardless of the default printer language.

Values:

On*	Printer examines the data on the USB interface and selects PCL emulation if the data indicates that is the required printer language.
Off	Printer does not examine the incoming data. The printer uses PostScript emulation to process the job if PS SmartSwitch is On, or uses the default printer language specified in the Setup Menu if PS SmartSwitch is Off.

See also:

[PS SmartSwitch; Printer Language](#)

PS SmartSwitch

Purpose:

To configure the printer so it automatically switches to PostScript emulation when a print job received through the USB port requires it, regardless of the default printer language.

Values:

On*	Printer examines data on the USB interface and selects PostScript emulation if the data indicates that is the required printer language.
Off	Printer does not examine the incoming data. The printer uses PCL emulation to process the job if PCL SmartSwitch is On, or uses the default printer language specified in the Setup Menu if PCL SmartSwitch is Off.

See also:

[PCL SmartSwitch; Printer Language](#)

NPA Mode

Purpose:

To specify whether the printer performs the special processing required for bidirectional communication, following the conventions defined in the Network Printing Alliance (NPA) Protocol.

Values:

On	Printer performs NPA processing. If data is not in NPA format, it is rejected as bad data.
Off	Printer does not perform NPA processing.
Auto*	Printer examines the data to determine the format and then processes it appropriately.



NOTE: Changing this menu item automatically resets the printer.

[PS SmartSwitch; Printer Language](#)

USB Buffer

Purpose:

To configure the size of the USB input buffer.

Values:

Disabled	Job buffering is disabled.
Auto*	Printer automatically calculates the USB Buffer size (recommended setting).
3K to maximum size allowed	User specifies the USB Buffer size. The maximum size depends on the amount of memory in your printer, the size of the other link buffers, and whether Resource Save is set to On or Off. To maximize the range for the USB Buffer size, disable or reduce the size of the parallel, serial, and network buffers.



NOTE: Changing the USB Buffer menu item automatically resets the printer.

See also:

[Resource Save](#)

MAC Binary PS

Purpose:

To configure the printer to process Macintosh binary PostScript print jobs.

Values:

On	Printer processes raw binary PostScript print jobs from computers using the Macintosh operating system. This setting often causes Windows print jobs to fail.
Off	Printer filters PostScript print jobs using standard protocol.
Auto*	Printer processes print jobs from computers using either Windows or Macintosh operating systems.

Disabling operator panel menus

To disable the operator panel menus so that changes cannot be made to the printer default settings:

1. Turn the printer off.



NOTE: Disabling the operator panel menus does not prevent access to the Job Menu or to Print and Hold functionality.

2. Press and hold Select and Return and turn the printer on.
3. Release the buttons when you see `Performing Self Test`.

`Config Menu` appears on the first line of the display.

4. Press Menu until you see `Panel Menus`, and then press Select.

`Disable` appears on the second line of the display.

5. Press Select.

`Locking Menus` appears briefly.

6. Press Menu until you see `Exit Config Menus`, and then press Select.

The menus are disabled. If you press Menu, the message `Menus Disabled` appears.

Enabling menus

1. Repeat [step 1](#) through [step 4](#) in [Disabling operator panel menus](#).
2. Press Menu until you see `Enable`.

Continue with [step 5](#) and [step 6](#) in [Disabling operator panel menus](#).

Printing

- [Tips for successful printing](#)
- [Sending a job to print](#)
- [Canceling a print job](#)
- [Printing a menu settings page](#)
- [Printing a font sample list](#)
- [Using the Print and Hold function](#)
- [Printing folio and statement sizes](#)

This chapter covers tips for printing, how to print certain lists of information from your printer, and how to cancel a job.


Tips for successful printing

Tips on storing print media

Store your print media properly. For more information, see [Storing print media](#).

Avoiding jams

If you select appropriate print media (paper, transparencies, labels, and card stock), you are assisting in trouble-free printing. See [Tips for avoiding jams](#) for more information.

 **NOTE:** We recommend that you try a limited sample of any print media you are considering using with the printer before purchasing large quantities.

By selecting appropriate print media and loading it properly, you are able to avoid most jams. See the following for instructions on loading print media:

- [Loading print media in standard and optional trays](#) (which includes the standard tray, and the optional 250- and 500-sheet trays)
- [Using and loading the multipurpose feeder](#)
- [more information](#)

If you experience a jam, see [Clearing jams](#) for instructions. To deter jams, see [Tips for avoiding jams](#).

Sending a job to print

To support all of the printer features, use the custom printer drivers. When you choose Print from a software application, a window representing the printer driver opens. Select the appropriate settings for the specific job you are sending to print. Print settings selected from the driver override the default settings selected from the printer operator panel.

You may need to click Properties or Setup from the initial Print box to see all of the available printer settings you can change. If you are not familiar with a feature in the printer driver window, open the online Help for more information.

To print a job from a typical Windows application:

1. Open the file you want to print.
 2. From the File menu, select Print.
 3. Verify that the correct printer is selected in the dialog box. Modify the printer settings as appropriate (such as the pages you want to print or the number of copies).
 4. Click Properties or Setup to adjust printer settings not available from the first screen, and then click OK.
 5. Click OK or Print to send the job to the selected printer.
-

Canceling a print job

There are several methods for canceling a print job.

Canceling from the printer operator panel

To cancel a print job after it has started printing:

1. Press the left arrow on the Menu button once. JOB MENU and Cancel Job are displayed.
2. Press Select. Canceling Job is displayed.

Canceling a job from a computer running Windows

Canceling a job from the taskbar

When you send a job to print, a small printer icon appears in the right corner of the taskbar.

1. Double-click the printer icon.

A list of print jobs appears in the printer window.

2. Select the job you want to cancel.
3. Press the Delete key on the keyboard.

Canceling a job from the desktop

1. Minimize all programs to reveal the desktop.
2. Double-click the My Computer icon.
3. Double-click the Printers icon.

A list of available printers appears.

4. Double-click the printer you selected when you sent the job.

A list of print jobs appears in the printer window.

5. Select the job you want to cancel.
 6. Press the Delete key on the keyboard.
-

Printing a menu settings page

The menu settings page shows current settings (user default settings) for the menus, a list of installed options, and available printer memory. You can use this page to verify that all printer options are properly installed and the printer settings are correct.

See [Understanding printer menus](#) to identify the display and operator panel buttons if you need help.

1. Make sure the printer is on and the Ready message appears.
2. Press and release Menu until you see Utilities Menu, and then press Select.
3. Press and release Menu until you see Print Menus, and then press Select.

The message Printing Menu Settings appears while the page prints. The printer returns to the Ready message after the menu settings page prints.

If any other message appears when you print this page, see [Understanding printer messages](#) for more information.

Printing a font sample list

To print samples of all the fonts currently available for your printer:

1. Make sure the printer is on and the `Ready` message appears.
2. Press and release `Menu` until you see `Utilities Menu`, and then press `Select`.
3. Press and release `Menu` until `Print Fonts` appears, and then press `Select`.
4. Press and release `Menu` until either `PCL Fonts` or `PS Fonts` appears on the second line of the display.
 - o Select `PCL Fonts` to print a listing of the fonts available to the PCL emulator.
 - o Select `PS Fonts` to print a listing of the fonts available to the PostScript 3 emulator. This choice only appears when the PostScript printer language is available in the printer.
5. Press `Select`.

The message `Printing Font List` appears and remains on the operator panel until the page prints. The printer returns to the `Ready` state after the font sample list prints.

Using the Print and Hold function

When sending a job to the printer, you can specify in the driver that you want the printer to hold the job in memory. When you are ready to print the job, you must go to the printer and use the operator panel menus to identify which *held* job you want to print. You can use this function to delay printing a job, verify one copy before printing additional copies, request extra copies of a job at a later time, or print a confidential job when you can be at the printer to retrieve it.



NOTE: *Print and Hold* functions require a minimum of 32 MB available printer memory.

Selecting a user name

All confidential and held jobs have a user name associated with them. To access all held jobs or confidential jobs, you must first select your user name from a list of user names for print jobs. When the list is presented, press `Menu` to scroll through the list. Press `Select` once you find your user name for your job.

Printing and deleting held jobs

Once held jobs are stored in printer memory, you can use the printer operator panel to specify what you want to do with one or more of the jobs. You can select either `Confidential Job` or `Held Jobs` (`Repeat Print`, `Reserve Print`, and `Verify Print` jobs) from the [Job Menu](#). Then, you select your user name from a list. If you select `Confidential Job`, you must enter the personal identification number (PIN) you specified in the driver when you sent the job. See [Confidential jobs](#) for more information.

From either the Confidential Job or the Held Jobs menu items, you have five choices:


- Print All Jobs
- Print A Job
- Delete All Jobs
- Delete A Job
- Print Copies

Accessing held jobs from the operator panel

1. To access held jobs from the operator panel:
 - If the printer is Busy, press Menu and the Job Menu appears.
 - If the printer is Ready, continue to step 2.
2. Press and release Menu until you see Held Jobs or Confidential Job on the operator panel display, depending on the type of job you want to access.
3. Press Select.

User Name appears on the first line of the operator panel. The second line displays the names of users currently associated with Print and Hold jobs.


4. Press and release Menu until you see your user name.


 **NOTE:** If you are looking for a Confidential Job, you are prompted to enter your PIN. See [Confidential jobs](#) for more information.

5. Press Select.
6. Press Menu until the action you want to take is on the second line of the operator panel (Print A Job, Delete A Job, and so on).
7. Press Select.
 - If you are looking for a particular job, press and release Menu to scroll through the list of available jobs, and press Select when the correct job is displayed. An asterisk (*) appears next to the job name, indicating you have chosen to print or delete that job.
 - If you are prompted to enter the number of copies you want to print, press Menu to increase or decrease the number on the display, and then press Select.
8. Press Go to print or delete specific jobs you have marked.

The printer briefly shows messages indicating what Print and Hold functions it is performing.

Recognizing when format errors occur

If the  symbol appears on the display, it indicates that the printer had trouble formatting one or more of the held jobs. These formatting problems are most commonly the result of insufficient printer memory or invalid data that might cause the printer to flush the job.


When a  symbol appears next to a held job, you can:

- Print the job. Be aware, however, that only part of the job may print.
- Delete the job. You may want to free up additional printer memory by scrolling through the list of held jobs and deleting others you have sent to the printer.

If formatting errors are a recurring problem with held jobs, your printer may require more memory.

Repeat Print

If you send a Repeat Print job, the printer prints all requested copies of the job *and* stores the job in memory so you can print additional copies later. You can print additional copies as long as the job remains stored in memory.

 **NOTE:** Repeat Print jobs are automatically deleted from printer memory when the printer requires extra memory to process additional held jobs.

Reserve Print

If you send a Reserve Print job, the printer does not print the job immediately, but stores the job in memory so you can print the job later. The job is held in memory until you delete it from the Held Jobs menu. Reserve Print jobs may be deleted if the printer requires extra memory to process additional held jobs.

See [Printing and deleting held jobs](#) for information.

Verify Print

If you send a Verify Print job, the printer prints one copy and holds the remaining copies you requested from the driver in printer memory. Use Verify Print to examine the first copy to see if it is satisfactory before printing the remaining copies.

See [Printing and deleting held jobs](#) if you need help printing the additional copies stored in memory.

 **NOTE:** Once all copies are printed, the Verify Print job is deleted from printer memory.

Confidential jobs

When you send a job to the printer, you can enter a personal identification number (PIN) from the driver. The PIN must be four digits using the numbers 1–6. The job is then held in printer memory until you enter the same four-digit PIN from the printer operator panel and choose to print or delete the job. This ensures that the job does not print until you are there to retrieve it, and no one else using the printer can print the job.

When you select Confidential Job from the Job Menu and then select your user name, the following prompt is displayed:

Enter PIN:
= _____

Use the buttons on the operator panel to enter the four-digit PIN associated with your confidential job. The numbers next to the button names identify which button to press for each digit (1–6). As you enter the PIN, asterisks are displayed to ensure confidentiality.



If you enter an invalid PIN, the message `No Jobs Found. Retry?` appears. Press `Go` to reenter the PIN, or press `Stop` to exit the Confidential Job menu.

When you enter a valid PIN, you have access to all print jobs matching the user name and PIN you entered. The print jobs matching the PIN you entered appear on the display when you enter the `Print A Job`, `Delete A Job`, and `Print Copies` menu items. You can then choose to print or delete jobs matching the PIN you entered. (See [Printing and deleting held jobs](#) for more information.) After printing the job, the printer deletes the confidential job from memory.

Printing folio and statement sizes

Folio and statement sizes are not available in the Paper Size menu until Size Sensing is turned off. To turn off Size Sensing:

1. Press and hold the `Select` and `Return` buttons while you turn the printer on.
2. Release the buttons when `Performing Self Test` appears on the display.

The printer performs its power-on sequence, and then `Config Menu` appears on the first line of the display.

3. Press and release `Menu` until you see `Size Sensing`, and then press `Select`.

`Tray 1 Sensing` appears on the second line of the display.

4. Press and release `Menu` to select the input option that will hold the folio or statement size paper, and then press `Select`.

The first line of the display shows the selected input option and the second line shows the current setting.

5. Press `Menu` to change the setting to `Off`, and then press `Select`.

`SAVED` appears briefly on the display, and then is replaced by `Config Menu` on the first line and `Size Sensing` on the second line.

6. Press and release `Menu` until you see `Exit Config Menu`, and then press `Select`.

`Activating Menu Changes` appears briefly, followed by `Performing Self Test`. The printer returns to `Ready`.

Setting up for shared printing

• [Point and print](#)

• [Peer-to-peer](#)

You can share your new printer on the network using the *Drivers and Utilities* CD that shipped with your printer, or using Microsoft's point and print or peer-to-peer method. However, if you use one of the Microsoft methods, you will not have all of the features, such as the status monitor and other printer utilities, that are installed with the *Drivers and Utilities* CD.

To share a locally-attached printer on the network, you need to share the printer, and then install the shared printer on network clients:

1. For Windows XP only: Click Start →Control Panel →Printers and Other Hardware →Printers and Faxes.

For all others: Click Start →Settings →Printers.

2. Right-click the Dell Laser Printer W5300 icon and select Properties.
3. Click File →Sharing.
4. Check the Shared as check box, and then type a name in the Shared Name text box.
5. Click Additional Drivers and select the operating systems of all network clients printing to this printer.
6. Click OK.

If you are missing files, you are prompted to insert the server operating system CD.

To check that the printer was successfully shared:

- Make sure the printer object in the Printers folder shows it is shared. For example, in Windows 2000, a hand is shown underneath the printer icon.
- Browse Network Neighborhood. Find the host name of the server and look for the shared name you assigned to the printer.

Now that the printer is shared, you can install the printer on network clients using the point and print method or the peer-to-peer method.

Point and print

This method is usually the best use of system resources. The server handles driver modifications and print

job processing. This lets network clients return to their programs much faster.

If you use the point and print method, a subset of driver information is copied from the server to the client computer. This is just enough information to send a print job to the printer.

1. On the Windows desktop of the client computer, double-click Network Neighborhood.
2. Locate the host name of the server computer, and then double-click the host name.
3. Right-click the shared printer name, and then click Install.

Wait for the driver information to copy from the server computer to the client computer, and for a new printer object to be added to the Printers folder. The time this takes varies, based on network traffic and other factors.

4. Close Network Neighborhood.
5. Print a test page to verify print installation.
6. For Windows XP only: Click Start →Control Panel →Printers and Other Hardware →Printers and Faxes.

For all others: Click Start →Settings →Printers.

7. Select the printer you just created.
8. Click File →Properties.
9. From the General tab, click Print Test Page.

When a test page prints successfully, printer installation is complete.

Peer-to-peer

If you use the peer-to-peer method, the printer driver is fully installed on each client computer. Network clients retain control of driver modifications. The client computer handles the print job processing.

1. For Windows XP only: Click Start →Control Panel →Printers and Other Hardware →Printers and Faxes.

For all others: Click Start →Settings →Printers.

2. Click Add Printer to launch the Add Printer wizard.
3. Click Network Print Server.
4. Select the network printer from the Shared printers list. If the printer is not listed, type in the path of the printer in the text box.

For example: \\<server host name>\<shared printer name>

The server host name is the name of the server computer that identifies it to the network. The shared printer name is the name assigned during the server installation process.

5. Click OK.

If this is a new printer, you may be prompted to install a printer driver. If no system driver is available, then you will need to provide a path to available drivers.

6. Select whether you want this printer to be the default printer for the client, and then click Finish.

7. Print a test page to verify printer installation:

- a. For Windows XP only: Click Start →Control Panel →Printers and Other Hardware →Printers and Faxes.

For all others: Click Start →Settings →Printers.

- b. Select the printer you just created.
- c. Click File →Properties.
- d. From the General tab, click Print Test Page.

When a test page prints successfully, printer installation is complete.

Understanding fonts

Typefaces and fonts

A font is a set of characters and symbols created with a distinct design. The distinct design is called a *typeface*. The typefaces you select add personality to a document. Well-chosen typefaces make a document easier to read.

The printer has numerous resident fonts in PCL 6 and PostScript 3 emulations. See [Resident fonts](#) for a listing of all resident fonts.

Weight and style

Typefaces are often available in different weights and styles. These variations modify the original typeface so you can, for example, emphasize important words in text or highlight book titles. The different weights and styles are designed to complement the original typeface.

Weight refers to the thickness of the lines that form the characters. Thicker lines result in darker characters. Some words commonly used to describe the weight of a typeface are bold, medium, light, black, and heavy.

Style refers to other typeface modifications, such as tilt or character width. Italic and oblique are styles where the characters are tilted. Narrow, condensed, and extended are three common styles that modify the character widths.

Some fonts combine several weight and style modifications; for example, Helvetica Narrow Bold Italic. A group of several weight and style variations of a single typeface is called a *typeface family*. Most typeface families have four variations: regular, italic, bold, and bold italic. Some families have more variations, as the following illustration for the Helvetica typeface family shows:

Helvetica	ABCDEFGHIJKLMNOPQRSTUVWXYZ
Helvetica-Italic	ABCDEFGHIJKLMNOPQRSTUVWXYZ
Helvetica-Bold	ABCDEFGHIJKLMNOPQRSTUVWXYZ
Helvetica-BoldItalic	ABCDEFGHIJKLMNOPQRSTUVWXYZ
Helvetica-Narrow	ABCDEFGHIJKLMNOPQRSTUVWXYZ
Helvetica-Narrow Italic	ABCDEFGHIJKLMNOPQRSTUVWXYZ
Helvetica-Narrow Bold	ABCDEFGHIJKLMNOPQRSTUVWXYZ
Helvetica-Narrow-BoldItalic	ABCDEFGHIJKLMNOPQRSTUVWXYZ

Pitch and point size

The size of a font is specified as either a pitch or point size, depending on whether the font is fixed space or

proportional.

In *fixed space* fonts, each character has the same width. *Pitch* is used to specify the size of fixed space fonts. It is a measure of the number of characters that will print in one horizontal inch of type. For example, all 10-pitch fonts print 10 characters per inch (cpi) and all 12-pitch fonts print 12 cpi:

Courier	10 Pitch	1234567890
Courier-Bold	10 Pitch	1234567890
Courier	12 Pitch	123456789012
Courier-Bold	12 Pitch	123456789012

← 1 Inch →

In *proportional* (or *typographic*) fonts, every character can have a different width. Since proportional fonts have characters with different widths, the font size is specified in point size, not pitch. *Point size* refers to the height of the characters in the font. A *point* is defined as 1/72 inch. The characters in a font printed at 24 point will be twice as large as the characters in the same font printed at 12 point.

The following illustration shows samples of a font printed in different point sizes:

48 point 36 point

24 point 18 point 12 point 10 point

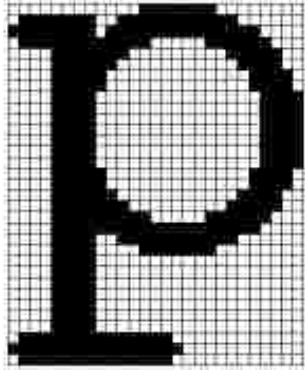
The point size of a font is defined as the distance from the top of the tallest character in the font to the bottom of the lowest character in the font. Due to the definition of point size, different fonts printed at the same point size may appear quite different in size. This is because there are other font parameters that affect how the font looks. However, the point size of a font is an excellent specification of the relative size of a font. The following examples illustrate two very different proportional fonts at 14 point:

ITC Avant Garde
abcdefghABCDEF GH
ITC Zapf Chancery
abcdefghABCDEF GH

Bitmapped and scalable fonts

The printer uses both bitmapped and scalable fonts.

Bitmapped fonts are stored in printer memory as predefined patterns of bits that represent a typeface at a specific size, style, and resolution. The following illustration shows an example of a character from a bitmapped font.



Bitmapped fonts are available in different type styles and point sizes as downloadable fonts. Contact the place where you bought your printer for more information about downloadable fonts.

Scalable fonts (also called *outline* fonts) are stored as computer programs that define the outlines of the characters in the font. Each time you print characters from a scalable font, the printer creates a bitmap of the characters at the point size you choose and saves it temporarily in printer memory.



These temporary bitmapped fonts are deleted when you turn off or reset the printer. Scalable fonts provide the flexibility of printing in many different point sizes.

Your printer uses different scalable font formats for downloading fonts to the printer. PCL 6 emulation uses *Intellifont* and *TrueType* scalable fonts. PostScript 3 emulation uses *Type 1* and *TrueType* scalable fonts. There are thousands of different scalable fonts available in these different font formats from numerous font suppliers.

If you plan to use many downloadable bitmapped or scalable fonts or if you plan to use many different sizes of scalable fonts, you may need to purchase additional memory for your printer.

Resident fonts

Your printer is equipped with resident fonts stored permanently in printer memory. Different fonts are available in PCL 6 and PostScript 3 emulations. Some of the most popular typefaces, like Courier and Times New Roman, are available for all printer languages.

The following table lists all the fonts resident in your printer. See [Printing a font sample list](#) for instructions on how to print samples of the fonts. You can select the resident fonts from your software application, or from the operator panel if you are using PCL 6 emulation.

Resident scalable fonts	
PCL 6 emulation	PostScript 3 emulation
Albertus Medium	AlbertusMT
	AlbertusMT-Italic
	AlbertusMT-Light
Albertus Extra Bold	
Antique Olive	AntiqueOlive-Roman
Antique Olive Italic	AntiqueOlive-Italic
Antique Olive Bold	AntiqueOlive-Bold
	AntiqueOlive-Compact
Arial	ArialMT
Arial Italic	Arial-ItalicMT
Arial Bold	Arial-BoldMT
Arial Bold Italic	Arial-BoldItalicMT
ITC Avant Garde Book	AvantGarde-Book
ITC Avant Garde Book Oblique	AvantGarde-BookOblique
ITC Avant Garde Demi	AvantGarde-Demi
ITC Avant Garde Demi Oblique	AvantGarde-DemiOblique
ITC Bookman Light	Bookman-Light
ITC Bookman Light Italic	Bookman-LightItalic
ITC Bookman Demi	Bookman-Demi
ITC Bookman Demi Italic	Bookman-DemiItalic
Clarendon Condensed Bold	
Coronet	Coronet-Regular
CourierPS	Courier

CourierPS Oblique	Courier-Oblique
CourierPS Bold	Courier-Bold
CourierPS Bold Italic	Courier-BoldOblique
CG Omega	
CG Omega Bold	
CG Omega Italic	
CG Omega Bold Italic	
Garamond Antiqua	Garamond-Antiqua
Garamond Halbfett	Garamond-Halbfett
Garamond Kursiv	Garamond-Kursiv
Garamond Kursiv Halbfett	Garamond-KursivHalbfett
Helvetica Light	Helvetica-Light
Helvetica Light Oblique	Helvetica-LightOblique
Helvetica Black	Helvetica-Black
Helvetica Black Oblique	Helvetica-BlackOblique
Helvetica	Helvetica
Helvetica Italic	Helvetica-Oblique
Helvetica Bold	Helvetica-Bold
Helvetica Bold Italic	Helvetica-BoldOblique
Helvetica Narrow	Helvetica-Narrow
Helvetica Narrow Italic	Helvetica-Narrow-Oblique
Helvetica Narrow Bold	Helvetica-Narrow-Bold
Helvetica Narrow Bold Italic	Helvetica-Narrow-BoldOblique
CG Times	Intl-CG-Times
CG Times Italic	Intl-CG-Times-Italic
CG Times Bold	Intl-CG-Times-Bold
CG Times Bold Italic	Intl-CG-Times-BoldItalic
Univers Medium	Intl-Univers-Medium
Univers Medium Italic	Intl-Univers-MediumItalic
Univers Bold	Intl-Univers-Bold
Univers Bold Italic	Intl-Univers-BoldItalic
Courier	Intl-Courier
Courier Italic	Intl-Courier-Oblique
Courier Bold	Intl-Courier-Bold

Courier Bold Italic	Intl-Courier-BoldOblique
Letter Gothic	LetterGothic
Letter Gothic Italic	LetterGothic-Slanted
Letter Gothic Bold	LetterGothic-Bold
	LetterGothic-BoldSlanted
Marigold	Marigold
Century Schoolbook Roman	NewCenturySchlbk-Roman
Century Schoolbook Italic	NewCenturySchlbk-Italic
Century Schoolbook Bold	NewCenturySchlbk-Bold
Century Schoolbook Bold Italic	NewCenturySchlbk-BoldItalic
	Optima
	Optima-Bold
	Optima-BoldItalic
	Optima-Italic
Palatino Roman	Palatino-Roman
Palatino Italic	Palatino-Italic
Palatino Bold	Palatino-Bold
Palatino Bold Italic	Palatino-BoldItalic
SymbolPS	Symbol
Symbol	
Times Roman	Times-Roman
Times Italic	Times-Italic
Times Bold	Times-Bold
Times Bold Italic	Times-BoldItalic
Times New Roman	TimesNewRomanPSMT
Times New Roman Italic	TimesNewRomanPS-ItalicMT
Times New Roman Bold	TimesNewRomanPS-BoldMT
Times New Roman Bold Italic	TimesNewRomanPS-BoldItalicMT
	Univers
	Univers-Oblique
	Univers-Bold
	Univers-BoldOblique
Univers Condensed Medium	Univers-Condensed
Univers Condensed Medium Italic	Univers-CondensedOblique

Univers Condensed Bold	Univers-CondensedBold
Univers Condensed Bold Italic	Univers-CondensedBoldOblique
Wingdings	Wingdings-Regular
ITC Zapf Chancery Medium Italic	ZapfChancery-MediumItalic
ITC Zapf Dingbats	ZapfDingbats
	Univers-Extended
	Univers-ExtendedObl
	Univers-BoldExt
	Univers-BoldExtObl
	Univers-Light
	Univers-LightOblique
	Clarendon
	Clarendon-Light
	Clarendon-Bold
	Helvetica-Condensed
	Helvetica-Condensed-Bold
	Helvetica-Condensed-BoldObl
	Helvetica-Condensed-Oblique
	StempelGaramond-Bold
	StempelGaramond-BoldItalic
	StempelGaramond-Italic
	StempelGaramond-Roman
	Apple-Chancery
	Chicago
	Geneva
	Monaco
	NewYork
	Oxford
	Taffy
	MonaLisa-Recut
	Candid
	Bodoni
	Bodoni-Italic
	Bodoni-Bold

	Bodoni-BoldItalic
	Bodoni-Poster
	Bodoni-PosterCompressed
	CooperBlack
	CooperBlack-Italic
	Copperplate-ThirtyTwoBC
	Copperplate-ThirtyThreeBC
	Eurostile
	Eurostile-Bold
	Eurostile-ExtendedTwo
	Eurostile-BoldExtendedTwo
	GillSans
	GillSans-Italic
	GillSans-Bold
	GillSans-BoldItalic
	GillSans-Condensed
	GillSans-BoldCondensed
	GillSans-Light
	GillSans-LightItalic
	GillSans-ExtraBold
	Goudy
	Goudy-Italic
	Goudy-Bold
	Goudy-BoldItalic
	Goudy-ExtraBold
	HoeflerText-Regular
	HoeflerText-Italic
	HoeflerText-Black
	HoeflerText-BlackItalic
	HoeflerText-Ornaments
	JoannaMT
	JoannaMT-Italic
	JoannaMT-Bold
	JoannaMT-BoldItalic

	LubalinGraph-Book
	LubalinGraph-BookOblique
	LubalinGraph-Demi
	LubalinGraph-DemiOblique
Line Printer 16	
POSTNET Barcode	
OCR-A	
OCR-B	
C39 Narrow	
C39 Regular	
C39 Wide	

Readability disclaimer

Many factors can affect the readability of bar codes and optical character recognition (OCR) characters, including printer settings, such as Print Resolution, Toner Darkness, and Print Darkness. In addition, choice of print media can significantly affect the readability of bar codes. See [Using the printer menus](#) and [Print media guidelines](#) for information on printer settings and print media considerations to help optimize the readability of printer bar codes and OCR characters.

Before purchasing any specific solutions, print a sample of OCR characters or bar codes on your print media. Then, verify readability with the actual devices that will be used to read them. The manufacturer does not warrant that a specific bar code reader will be able to read the bar code images as printed or that a specific OCR reader will be able to read the OCR characters as printed.

Symbol sets

A *symbol set* is the collection of alphabetic and numeric characters, punctuation, and special characters available in the font you select. Symbol sets support the requirements for different languages or specific applications, such as math symbols used for scientific text.

In PCL 6 emulation, a symbol set also defines which character will print for each key on the keyboard (or more specifically, for each *code point*). Some applications require different characters at some code points. To support multiple applications and languages, your printer has 83 symbol sets for the resident PCL 6 emulation fonts.

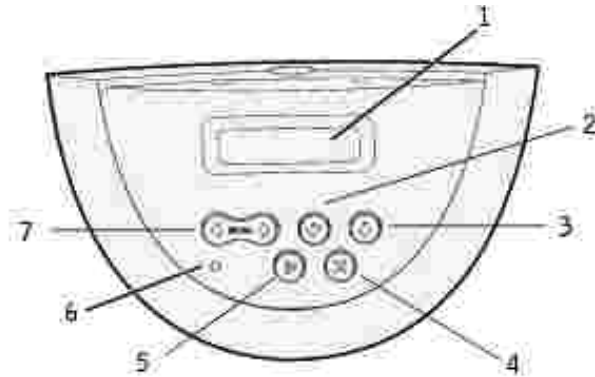
Symbol sets for PCL 6 emulation

Not all font names support all of the symbol sets listed.

ABICOMP Brazil/Portugal	ISO 21: German	PC-853 Latin 3 (Turkish)
ABICOMP International	ISO 25: French	PC-855 Cyrillic
DeskTop	ISO 57: Chinese	PC-857 Latin 5 (Turkish)
Legal	ISO 60: Norwegian version 1	PC-858 Multilingual Euro
MC Text	ISO 61: Norwegian version 2	PC-860 Portugal
Microsoft Publishing	ISO 69: French	PC-861 Iceland
Russian-GOST	ISO 84: Portuguese	PC-863 Canadian French
Ukrainian	ISO 85: Spanish	PC-865 Nordic
PCL ITC Zapf Dingbats	ISO 8859-1 Latin 1 (ECMA-94)	PC-866 Cyrillic
PS ITC Zapf Dingbats	ISO 8859-2 Latin 2	PC-869 Greece
PS Math	ISO 8859-5 Latin/Cyrillic	PC-911 Katakana
PS Text	ISO 8859-7 Latin/Greek	PC-1004 OS/2
Pi Font	ISO 8859-9 Latin 5	Math-8
Symbol	ISO 8859-10 Latin 6	Greek-8
Wingdings	ISO 8859-15 Latin 9	Turkish-8
POSTNET Barcode	PC-8 Bulgarian	Roman-8
ISO : German	PC-8 Danish/Norwegian (437N)	Roman-9
ISO : Spanish	PC-8 Greek Alternate (437G)	Roman Extension
ISO 2: IRV (Int'l Ref Version)	PC-8 Turkish (437T)	Ventura ITC Zapf Dingbats
ISO 4: United Kingdom	PC-8 Latin/Greek	Ventura International
ISO 6: ASCII	PC-8 PC Nova	Ventura Math
ISO 10: Swedish	PC-8 Polish Mazovia	Ventura US
ISO 11: Swedish for Names	PC-8 Code Page 437	Windows 3.0 Latin 1
ISO 14: JIS ASCII	PC-775 Baltic (PC-8 Latin 6)	Windows 98 Cyrillic
ISO 15: Italian	PC-850 Multilingual	Windows 98 Greek
ISO 16: Portuguese	PC-851 Greece	Windows 98 Latin 1
ISO 17: Spanish	PC-852 Latin 2	Windows 98 Latin 2
Barcode (9Y)	OCR-A	Windows 98 Latin 5
Barcode (109Y)	OCR-B	Windows 98 Latin 6 (Baltic)
Barcode (209Y)		

Understanding printer messages

The printer operator panel displays messages describing the current state of the printer and indicates possible printer problems you must resolve. This topic provides a list of all printer messages, explains what they mean, and tells you how to clear the messages.



1	LCD display	5	Go button
2	Select button	6	Indicator light
3	Return button	7	Menu button
4	Stop button		

Message	What this message means	What you can do
Activating Menu Changes	The printer is activating changes made to the printer settings.	Wait for the message to clear. See also: Disabling operator panel menus
Busy	The printer is busy receiving, processing, or printing data.	<ul style="list-style-type: none"> • Wait for the message to clear. • Press Menu to open the Job Menu and cancel the current job.
Canceling Job	The printer is processing a request to cancel the current print job.	Wait for the message to clear. See also: Canceling a print job
Change Tray <x>	The printer is requesting different paper than what is loaded in the specified tray or defined by the Paper Size or Paper Type settings for that tray. x indicates the number of the	Change the paper type in the specified source. See also: Loading print media in standard and optional trays

	tray, MP Feeder, or Env Feeder.	
Change Cartridge Invalid Refill	The printer has detected an unsupported refilled cartridge.	Remove the indicated toner cartridge and install a new one. See also: Replacing the toner cartridge
Check <device> Connection	The specified device is either not fully connected to the printer or is experiencing a hardware failure. <device> means: <ul style="list-style-type: none"> • Tray x with x being trays 2 – 5 • Duplex 	<ul style="list-style-type: none"> • Reestablish communication by removing the specified device and reattaching it to the printer. • Press Go to clear the message and continue printing. • In the case of a hardware failure, turn the printer off and back on. If the error recurs, turn the printer off, remove the specified device, and call for service.
Close Door or Insert Cartridge	The upper front door is open or the toner cartridge is not installed.	<ul style="list-style-type: none"> • Close the upper front door. • Install the toner cartridge.
Delete All Jobs Go/Stop?	The printer is requesting confirmation to delete all held jobs.	<ul style="list-style-type: none"> • Press Go to continue. The printer deletes all held jobs. • Press Stop to cancel the operation.
Deleting Jobs	The printer is deleting one or more held jobs.	Wait for the message to clear.
Disabling Menus	The printer is responding to a request to disable the menus.	Wait for the message to clear. NOTE: While the menus are disabled, you cannot change the printer settings from the operator panel. See also: Disabling operator panel menus
Enabling Menus	The printer is responding to a request to make the menus available to all users.	Wait for the message to clear, then press Menu to view the menus from the operator panel. See also: Enabling menus
Enter PIN: =_____	The printer is waiting for you to enter your four-digit personal identification number (PIN).	Use the operator panel buttons to enter the PIN you identified in the driver when you sent the confidential job to the printer. See also: Confidential jobs

Flushing Buffer	The printer is flushing corrupted print data and discarding the current print job.	Wait for the message to clear.
Held Jobs may be lost	The printer memory is too full to continue processing print jobs.	<ul style="list-style-type: none"> • Press Go to clear the message and continue printing. The printer frees memory by deleting the oldest held job and continues deleting held jobs until there is enough printer memory to process the job. • Press Stop to clear the message without deleting any held jobs. The current job may not print correctly. • Press Menu to open the Job Menu and cancel the current job. • To avoid this error in the future: <ul style="list-style-type: none"> ○ Delete fonts, macros, and other data stored in printer memory. ○ Install more printer memory. <p>The messages 37 Insufficient Memory and Held Jobs may be lost alternate on the display.</p> <p>See also: Using the Print and Hold function; 37 Insufficient Memory</p>
Insert Tray <x>	The specified tray is either missing or not fully inserted into the printer.	<p>Insert the specified tray completely into the printer.</p> <p>See also: Loading print media in standard and optional trays</p>
Install <device> or Cancel Job	<p>The printer is requesting that a specified device be installed so it can print a job.</p> <p><device> is one of the following:</p> <ul style="list-style-type: none"> • Tray x • Duplex • Env Feeder 	<ul style="list-style-type: none"> • Turn the printer off, install the specified device, and restart the printer. • Press Menu to open the Job Menu and cancel the current job.
Invalid Network <x> Code	The code in an internal print server is not valid. The printer cannot receive and process jobs until valid code is programmed into the internal print server.	<p>Download valid code to the printer internal print server.</p> <p>NOTE: You can download network code while this message is displayed.</p>
Invalid Standard Network Code		
	A request for a manual feed job has been sent to the printer. The	<ul style="list-style-type: none"> • Load a sheet of the paper specified in the second line of the display in

Load Manual	printer is ready for insertion of a single sheet into the manual feed slot.	<p>the manual feed tray or multipurpose feeder.</p> <ul style="list-style-type: none"> • Press Select or Go to ignore the manual feed request and print on paper already installed in one of the input sources. If the printer finds a tray that has paper of the correct type and size, it feeds paper from that tray. If the printer cannot find a tray with the correct paper type and size, it prints on whatever paper is installed in the default input source. • Press Menu to open the Job Menu and cancel the current job. <p>See also: Using and loading the multipurpose feeder</p>
Load Tray <x>	<p>The printer is trying to feed paper from a source it detects is empty.</p> <p>x is one of the following sources:</p> <ul style="list-style-type: none"> • Tray 1 – Tray 3 • MP Feeder • Env Feeder 	<ul style="list-style-type: none"> • Load paper of the size and type requested in the second line of the display in the specified tray. The printer automatically clears the message and continues printing the job. • Press Menu to open the Job Menu and cancel the current job. <p>See also: Loading print media in standard and optional trays</p>
Maintenance	The printer requires replacement of routine maintenance items to maintain top performance and to avoid print quality and paper feed problems.	<p>Replace the maintenance items and reset the printer maintenance counter (if necessary).</p> <p>See also: Ordering a Maintenance kit; Resetting the maintenance counter</p>
Menus Disabled	The printer menus are disabled. You cannot change the printer settings from the operator panel.	<p>You can still open the Job Menu to cancel a job that is printing or to select a confidential job or a held job that you want to print. If you need access to the printer menus, contact your network administrator.</p> <p>See also: Disabling operator panel menus</p>
Network Card Busy	An internal print server (also called an internal network adapter or INA) is being reset.	Wait for the message to clear.
Network <x>	A network interface is the active communication link.	

Network <x>, <y>	A network interface is the active communication link, where <x> represents the active communication link and <y> represents the channel.	
No Jobs Found. Retry?	The four-digit personal identification number (PIN) you entered is not associated with any confidential print job.	<ul style="list-style-type: none"> • Press Go to enter another PIN. • Press Stop to clear the PIN entry prompt.
Not Ready	The printer is not ready to receive or process data. Someone pressed Stop to take the printer offline.	Press Go to make the printer ready to receive jobs.
Performing Self Test	The printer is running the series of start-up tests it performs after it is turned on.	Wait for the message to clear.
Power Saver	The printer is ready to receive and process data. It is reducing its electricity consumption while idle. If the printer remains inactive for the period of time specified in the Power Saver menu item (20 minutes is the factory default), the <i>Power Saver</i> message replaces the <i>Ready</i> message on the display.	<ul style="list-style-type: none"> • Send a job to print. • Press Go to quickly warm the printer to normal operating temperature and display the Ready message.
Printing Font List	The printer is processing or printing a list of all available fonts for the specified printer language.	<p>Wait for the message to clear.</p> <p>See also: Print Fonts</p>
Printing Menu Settings	The printer is processing or printing the menu settings page.	<p>Wait for the message to clear.</p> <p>See also: Print Menus; Printing a menu settings page</p>
Prog System Code DO NOT POWER OFF	The printer is programming new system code.	<p>Wait for the message to clear and the printer to reset.</p> <p>Do not turn the printer off while this message is displayed.</p>
Queuing and Deleting Jobs	The printer is deleting one or more held jobs and sending one or more jobs to print.	<p>Wait for the message to clear.</p> <p>See also: Using the Print and Hold function</p>

Queuing Jobs	The printer is sending one or more held jobs to print.	Wait for the message to clear. See also: Using the Print and Hold function
Ready	The printer is ready to receive and process print jobs.	Send a job to print.
Ready Hex	The printer is in Hex Trace mode and is ready to receive and process print jobs.	<ul style="list-style-type: none"> • Send a job to print. All data sent to the printer is printed in hexadecimal and character representation. Control strings are printed, not executed. • Turn the printer off and then on to exit Hex Trace mode and return to Ready status.
Reattach <device>	The envelope feeder is either not fully connected to the printer or is experiencing a hardware failure.	<ul style="list-style-type: none"> • Reestablish communication by removing the envelope feeder and reattaching it to the printer. • Press Go to clear the message and continue printing without using the envelope feeder. • In the case of a hardware failure, turn the printer off and back on. If the error recurs, turn the printer off, remove the envelope feeder, and call Dell at support.dell.com. See also: Contacting service
Remove Paper <standard bin>	The output bin is full.	Remove the stack of paper from the standard bin to clear the message.
Res Reduced	The printer is reducing the resolution of a page in the current job from 600 dots per inch (dpi) to 300 dpi to prevent a 38 Memory Full error. Res Reduced remains on the display while the job prints.	Press Menu to open the Job Menu and cancel the current job.
Resetting Maint Cnt Value	The printer is resetting the counter that tracks wear on the fuser.	Wait for the message to clear.
Resetting the Printer	The printer is resetting to the current default settings. Any active print jobs are canceled.	Wait for the message to clear. See also: Using the operator panel to change printer settings
	The printer is restoring the	Wait for the message to clear.

Restoring Factory Defaults	<p>factory default printer settings. When factory default settings are restored:</p> <ul style="list-style-type: none"> • All downloaded resources (fonts, macros, symbol sets) in the printer memory are deleted. • All menu settings return to the factory default setting <i>except</i>: <ul style="list-style-type: none"> ○ The Display Language setting in the Setup Menu. ○ All settings in the Network Menu and USB Menu. 	See also: Restoring factory default settings
Toner Low	The toner cartridge is low on toner.	<ul style="list-style-type: none"> • Shake the toner cartridge to utilize the remaining toner. • Replace the toner cartridge. • Press Go to clear the message and continue printing. <p>NOTE: If you do not replace the toner cartridge, you may experience print quality problems. Order more toner at www.dell.com/supplies.</p>
Tray <x> Empty	The specified tray is out of paper.	<p>Load paper in the tray to clear the message.</p> <p>See also: Loading print media in standard and optional trays</p>
Tray <x> Low	The specified tray is low on paper.	<p>Add paper to the tray to clear the message.</p> <p>See also: Loading print media in standard and optional trays</p>
Tray <x> Missing	The specified tray is either missing or not fully inserted into the printer.	<p>Insert the tray completely into the printer.</p> <p>See also: Loading print media in standard and optional trays</p>
USB <x>	The printer is processing data through the specified USB port.	
Waiting	The printer has received a page of data to print but is waiting for an End of Job command, a Form Feed command, or additional data.	<ul style="list-style-type: none"> • Press Go to print the contents of the buffer. • Press Menu to open the Job Menu and cancel the current job. <p>See also: Canceling a print job</p>
15 / 5	The download emulator version on the firmware card does not	The printer automatically clears the message in 30 seconds, and then disables

<p>1565 Emul Error Load Emul Option</p>	<p>match the printer code version.</p> <p>This error can occur if you update printer firmware or move a firmware card from one printer to another.</p>	<p>the download emulator on the firmware card.</p> <p>Contact Dell at support.dell.com.</p>
<p>2<xx> Paper Jam</p>	<p>The printer detects a jam.</p>	<p>Clear the paper path.</p> <p>See also: Clearing jams</p>
<p>23x Duplex Jam</p>	<p>The printer detects a jam in the optional duplex unit.</p>	<p>Clear the paper path.</p> <p>See also: Clearing jams</p>
<p>32 Unsupported print cartridge</p>	<p>An unsupported toner cartridge is installed.</p>	<p>Remove the toner cartridge and install a new one.</p> <p>See also: Replacing the toner cartridge</p>
<p>34 Short Paper</p>	<p>The printer has determined that the length of the paper in the source specified on the second line of the display is too short to print the formatted data. For auto-size sensing trays, this error occurs if the guides are not in the correct position.</p>	<ul style="list-style-type: none"> • Press Go to clear the message and continue printing. The printer does not automatically reprint the page that prompted the message. • Make sure the Paper Size setting in the Paper Menu is correct for the size paper you are using. If MP Feeder Size is set to Universal, make sure your paper is large enough for the formatted data. • Press Menu to open the Job Menu and cancel the current job. <p>See also: Print media guidelines</p>
<p>35 Res Save Off Deficient Memory</p>	<p>The printer lacks the memory needed to enable Resource Save. This message usually indicates too much memory is allocated for one or more of the printer link buffers.</p>	<ul style="list-style-type: none"> • Press Go to disable Resource Save and continue printing. • To enable Resource Save after you get this message: <ul style="list-style-type: none"> ○ Make sure the link buffers are set to Auto, and exit the menus to activate the link buffer changes. ○ When Ready is displayed, enable Resource Save from the Setup Menu. • Install additional memory.
<p>37 Insufficient Collation Area</p>	<p>The printer memory does not have the free space necessary to collate the print job.</p>	<ul style="list-style-type: none"> • Press Go to print the portion of the job already stored and begin collating the rest of the job. • Press Menu to open the Job Menu and cancel the current job. <p>See also: Canceling a print job</p>

<p>37 Insufficient Defrag Memory</p>	<p>The printer cannot defragment flash memory, because the printer memory used to store undeleted flash resources is full.</p>	<ul style="list-style-type: none"> • Delete fonts, macros, and other data in printer memory. • Install additional printer memory.
<p>37 Insufficient Memory</p>	<p>The printer memory is full and cannot continue processing current print jobs.</p>	<ul style="list-style-type: none"> • Press Go to clear the message and continue the current print job. The printer frees memory by deleting the oldest held job and continues deleting held jobs until there is enough printer memory to process the job. • Press Stop to clear the message without deleting any held jobs. The current job may not print correctly. • Press Menu to open the Job Menu and cancel the current job. • To avoid this error in the future: <ul style="list-style-type: none"> ○ Delete fonts, macros, and other data in printer memory. ○ Install additional printer memory. <p>NOTE: The messages <i>37 Insufficient Memory</i> and <i>Held Jobs</i> may be lost alternate on the display.</p> <p>See also: Accessing held jobs from the operator panel; Held Jobs may be lost</p>
<p>38 Memory Full</p>	<p>The printer is processing data, but the memory used to store pages is full.</p>	<ul style="list-style-type: none"> • Press Go to clear the message and continue printing the job. The job may not print correctly. • Press Menu to open the Job Menu and cancel the current job. • To avoid this error in the future: <ul style="list-style-type: none"> ○ Simplify the print job by reducing the amount of text or graphics on a page and deleting unnecessary downloaded fonts or macros. ○ Install additional printer memory. <p>See also: Canceling a print job</p>
<p>39 Complex Page</p>	<p>The page may not print correctly because the print information on the page is too complex.</p>	<ul style="list-style-type: none"> • Press Go to clear the message and continue printing the job. The job may not print correctly. • Press Menu to open the Job Menu and cancel the current job. • To avoid this error in the future: <ul style="list-style-type: none"> ○ Reduce the complexity of the page by reducing the amount of text or graphics on the page and deleting unnecessary downloaded fonts or macros. ○ Set Page Protect to On in the


		<p>Setup Menu.</p> <ul style="list-style-type: none"> o Install additional printer memory. <p>See also: Setup Menu</p>
4 <x> Unsupported Firmware Card	The printer detects an unsupported version of firmware on the installed firmware card during the power-on cycle.	<ul style="list-style-type: none"> • Turn the printer off, and then press and hold Go while turning it on. The printer reads the code on the system card and bypasses the code on the firmware card. • Remove the firmware card.
54 Network <x> Software Error	The printer cannot establish communications with an installed network port.	<ul style="list-style-type: none"> • Press Go to clear the message and continue printing. The job may not print correctly. • Program new firmware for the network interface by way of the parallel port. • Press Menu to open the Job Menu and reset the printer.
54 Std Network Software Error		
55 Unsupported Flash in Slot X	The printer detects an unsupported flash memory card in one of the connectors.	Turn the printer off. Remove the unsupported option card.
55 Unsupported Option in Slot X	The printer detects an unsupported option card in one of the connectors.	Turn the printer off. Remove the unsupported option card.
56 USB Port <x> Disabled	Data has been sent to the printer through a USB port, but the USB port is disabled.	<ul style="list-style-type: none"> • Press Go to clear the message. The printer discards any data received through the USB port. • Make sure the USB Buffer menu item in the USB Menu is not set to Disabled. <p>See also: USB Buffer</p>
56 Standard USB Port Disabled		
58 Too Many Trays Attached	Too many drawers with matching trays are installed on the printer.	Turn off and unplug the printer. Remove the additional drawers. Plug in the printer and turn it on.
	You have installed an	Remove the device and press Go to clear

<p>59 Incompatible <device></p>	<p>incompatible device.</p> <p><device> is one of the following:</p> <ul style="list-style-type: none"> • Env Feeder • Tray x • Duplex 	<p>the message.</p>
<p>80 Scheduled Maintenance</p>	<p>The printer requires replacement of routine maintenance items to maintain top performance and avoid print quality and paper feed problems.</p>	<p>Replace the maintenance items and reset the printer maintenance counter, if necessary.</p> <p>See also: Resetting the maintenance counter</p>
<p>88 Toner Low</p>	<p>The printer has detected that the toner supply in the toner cartridge is low. If you do not have a toner cartridge on hand, order one now.</p>	<ul style="list-style-type: none"> • Shake the toner cartridge to utilize the remaining toner. • Replace the toner cartridge. • Press Go to clear the message and continue printing. The Supplies message is displayed until you replace the toner cartridge. <p>See also: Replacing the toner cartridge</p>
<p>900–999 Service <message></p>	<p>Messages labeled 900–999 relate to printer problems that may require printer service.</p>	<p>Turn the printer off and check all cable connections. Turn the printer back on.</p> <p>See also: Contacting service</p>

Clearing jams

- [Before removing jams](#)
- [Identifying the print media path](#)
- [200 and 201 Paper Jam Remove Cartridge](#)
- [202 Paper Jam Open Rear Door](#)
- [23x Paper Jam](#)
- [24x Paper Jam Check Tray x](#)
- [250 Paper Jam Check MP Feeder](#)
- [260 Paper Jam Check Env Feeder](#)

By carefully selecting print media and loading it properly, you are able to avoid most jams. Use appropriate print media (paper, transparencies, labels, and card stock) to help ensure trouble-free printing. See [Print media guidelines](#) for more information.

 **NOTE:** We recommend that you try a limited sample of any print media you are considering using with the printer before purchasing large quantities.

By selecting appropriate print media and loading it properly, you are able to avoid most jams. See the following for instructions on loading print media:

- [Loading print media in standard and optional trays](#)
- [Using and loading the multipurpose feeder](#)
- [Using and loading the optional envelope feeder](#)

Tips for avoiding jams

- Use only recommended print media. See [Print media guidelines](#) for more information.
- See [Loading print media in standard and optional trays](#), [Using and loading the multipurpose feeder](#), and [Using and loading the optional envelope feeder](#) to load print media properly.
- Do not overload the print media sources. Make sure the stack height does not exceed the maximum height indicated by the load line labels in the sources.
- Do not load wrinkled, creased, damp, or curled print media.
- Flex, fan, and straighten print media before you load it. If jams do occur with print media, try feeding one sheet at a time through the multipurpose feeder.
- Do not use print media that you have cut or trimmed yourself.
- Do not mix print media sizes, weights, or types in the same print media source.
- Use only recommended print media. See [Recommended paper](#).
- Make sure the recommended print side is face down when loading all trays for simplex printing.

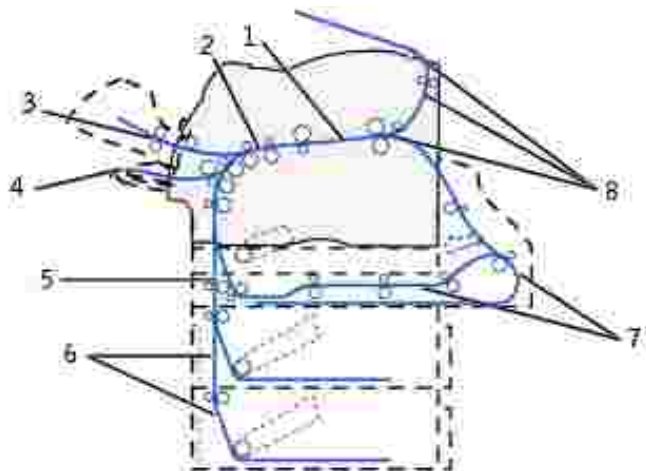
- Make sure the recommended print side is face up when loading the multipurpose feeder.
- Keep print media stored in an acceptable environment. See [Storing print media](#).
- Do not remove trays during a print job.
- Push all trays in firmly after loading them.
- Make sure the guides in the trays are properly positioned for the size of print media you have loaded. Make sure the guides are not placed too tightly against the stack of print media.
- Make sure all cables that connect to the printer are correctly attached.

Before removing jams

Remove any print jobs from the output bin before opening the upper front door to remove jams.

Identifying the print media path

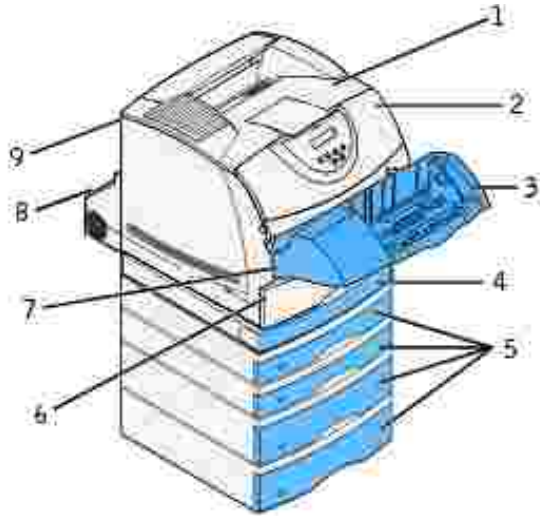
The following illustration shows where paper jams may occur along the print media path. The path varies depending on the input source (trays, multipurpose feeder, envelope feeder) you are using.




1	201 Paper Jam	5	23x Paper Jam
2	200 Paper Jam	6	24x Paper Jam
3	260 Paper Jam	7	23x Paper Jam
4	250 Paper Jam	8	202 Paper Jam

Accessing jam areas

Open doors and covers, remove trays, and remove options to access jam areas. The illustration shows the location of sources and possible jam areas.



1	Standard output bin
2	Upper front door
3	Optional envelope feeder
4	Optional duplex unit, front access cover
5	Optional trays
6	Standard tray
7	Lower front door (down when envelope feeder is installed)
8	Optional duplex unit, rear door
9	Printer rear door


 **NOTE:** Jams in the standard output bin and the duplex unit are either paper or card stock.

Use the following table to locate instructions for a particular jam:

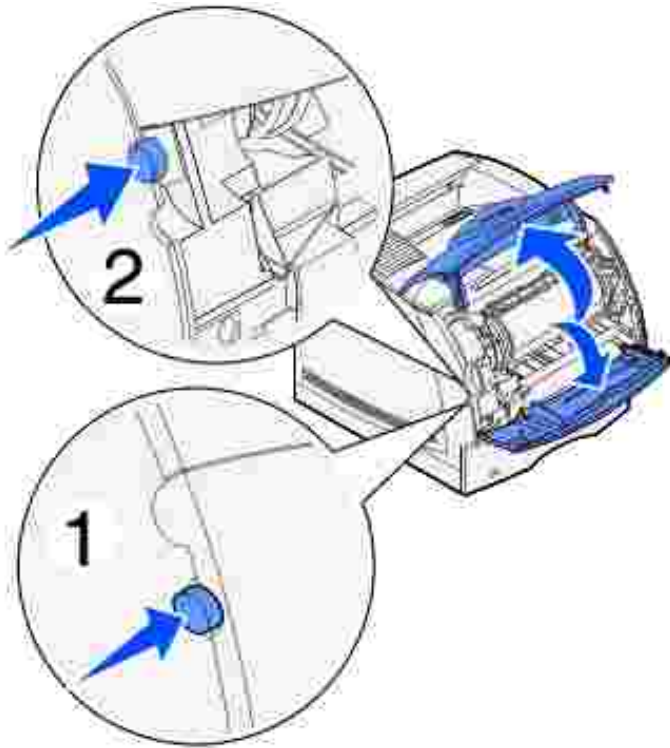
Jam message
200 and 201 Paper Jam Remove Cartridge
202 Paper Jam Open Rear Door
23x Paper Jam
231 Paper Jam Check Duplex
232 Paper Jam Check Duplex and 233 Paper Jam Check Duplex
234 Paper Jam Check Duplex, 235 Paper Jam Check Duplex, and 238 Paper Jam Check Duplex
236 Paper Jam Check Duplex
237 Paper Jam Check Duplex
239 Paper Jam Check Duplex
24x Paper Jam Check Tray x
250 Paper Jam Check MP Feeder
260 Paper Jam Check Env Feeder


200 and 201 Paper Jam Remove Cartridge

A 200 Paper Jam message indicates the print media is jammed in the area under the toner cartridge. This requires removing the toner cartridge. A 201 Paper Jam message indicates the jam is farther inside the printer.


 **NOTE:** To resolve the message, you must clear all print media from the print media path.

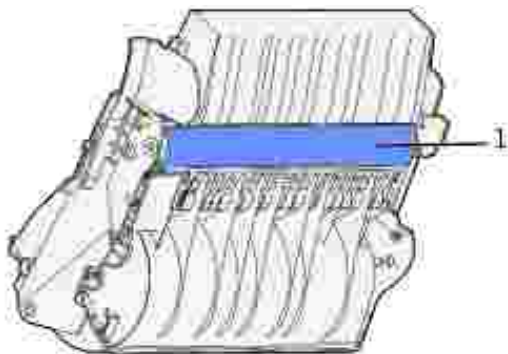
1. Press latch 1 to open the lower door. Press latch 2 to open the upper door.



 **CAUTION:** The rear portion of the inside of the printer is hot.


2. While grasping the toner cartridge by the hand grip, pull the cartridge up toward the upper front door, and then pull it straight out toward you.

 **NOTICE:** Never touch the photoconductor drum on the underside of the cartridge. Use the handhold on the cartridge to avoid touching this area.

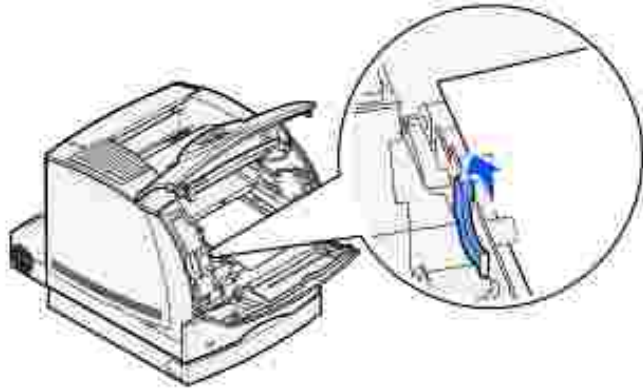


1 Photoconductor drum


Lay the cartridge aside.

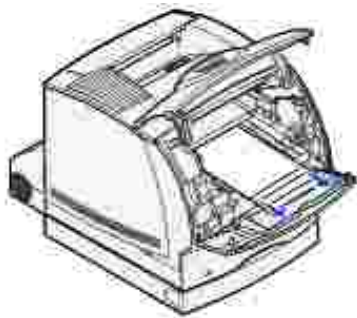
 **NOTE:** Do not leave the cartridge exposed to light for extended periods.

3. Gently push the feed roller release lever toward the back of the printer.



4. Pull the print media up and toward you.

 **NOTE:** The print media may be covered with unfused toner, which can stain garments and skin.



If the print media does not move immediately when you pull, stop pulling. You need to access the print media from the printer rear door. Otherwise, continue with [step 8](#).

To access print media from the printer rear door:

5. Open the printer rear door.

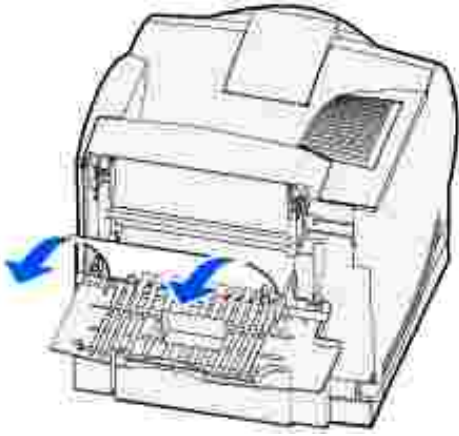


6. Remove any print media based on what part is visible.

- o If the middle section of print media is visible, grasp it on both sides and gently pull it straight out.



- o If print media is still in the fuser area, open the upper front door and remove the print media.
- o If the end of the print media is visible, pull the print media straight out.




If the print media does not move immediately when you pull, stop pulling. Remove the toner cartridge, and then pull the print media out.

7. Close the printer rear door.
8. Reinstall the cartridge.
9. Close the upper door, and then the lower door.

202 Paper Jam Open Rear Door

Jams that cause a 202 *Paper Jam* message require opening the printer rear door.

 **NOTE:** To resolve the message, you must clear all print media from the print media path.

For instructions on clearing the jam, click the area where the jam occurred:

- [Before reaching the standard output bin](#)
- [While exiting to the standard output bin](#)

Before reaching the standard output bin

1. Open the printer rear door.



2. Remove the print media based on what part is visible.

- o If the middle section of print media is visible, grasp it on both sides and gently pull it straight out.



- o If print media is still in the fuser area, open the upper front door and remove the print media.
- o If the end of the print media is visible, pull the print media straight out.



If the print media does not move immediately when you pull, stop pulling. Remove the toner cartridge, and then pull the print media out.

3. Close the printer rear door.

While exiting to the standard output bin

Pull the print media straight out.




If the print media does not move immediately when you pull, stop pulling. Open the upper front door and pull the print media out.



23x Paper Jam

Jams in the optional duplex unit result in a 23x message, where x represents specific jam areas. The second line of the operator panel indicates the jam area.

231 Paper Jam Check Duplex

 **NOTE:** To resolve the message, you must clear all print media from the print media path.

1. Open the printer rear door.

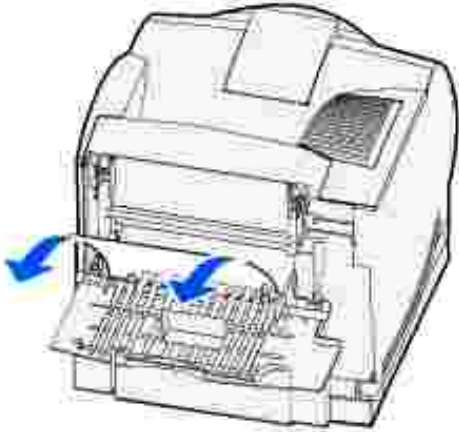


2. Remove any print media based on what part is visible.
 - o If the middle section of print media is visible, grasp it on both sides and gently pull it straight out.



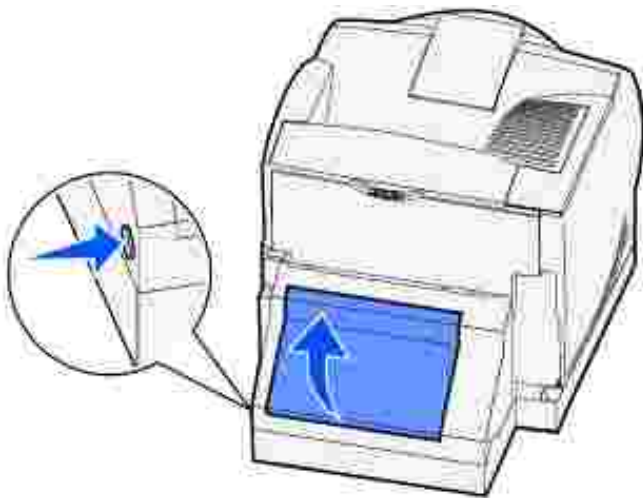
- o If print media is still in the fuser area, open the upper front door and remove the print media.

- o If the end of the print media is visible, pull the print media straight out.



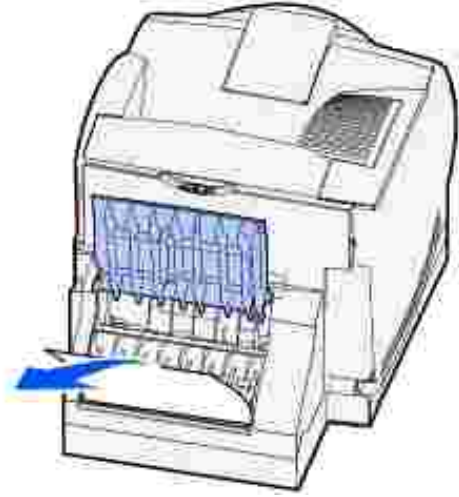
If the print media does not move immediately when you pull, stop pulling. Remove the toner cartridge, and then pull the print media out.

3. Close the printer rear door.
4. Open the duplex rear door.



5. Look under the duplex rear door for the edge of the print media to determine how the print media is jammed:
 - o If only a short piece of print media is visible toward the rear of the printer, do not pull it out; it may be easier to access from inside the printer. See [200 and 201 Paper Jam Remove Cartridge](#) for instructions.
 - o If most of the print media is visible, continue with the following:

Pull the print media up and out toward you if the print media is in this position.




Pull down and out if the print media is in this position.



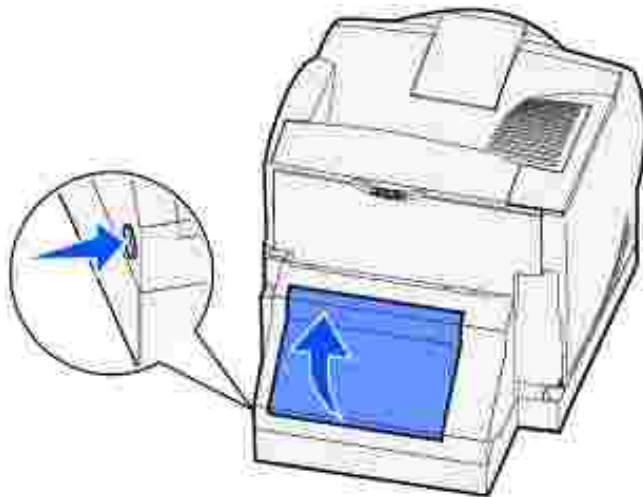
6. Close the duplex rear door. Make sure it *snaps* into place.



232 Paper Jam Check Duplex and 233 Paper Jam Check Duplex

 **NOTE:** To resolve the message, you must clear all print media from the print media path.

1. Open the duplex rear door.



2. Look under the duplex rear door for the edge of the print media to determine how the print media is jammed:
 - o If only a short piece of print media is visible toward the rear of the printer, do not pull it out; it may be easier to access from inside the printer. See [200 and 201 Paper Jam Remove Cartridge](#) for instructions.
 - o If most of the print media is visible, continue with the following:

Pull the print media up and out toward you if the print media is in this position.




Pull down and out if the print media is in this position.



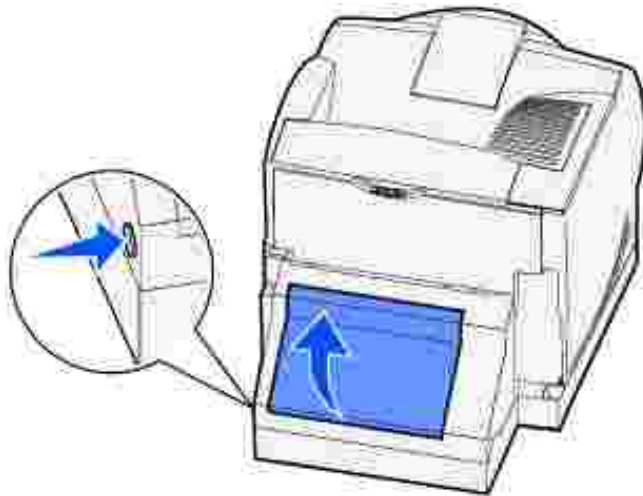
3. Close the duplex rear door. Make sure it *snaps* into place.



234 Paper Jam Check Duplex, 235 Paper Jam Check Duplex, and 238 Paper Jam Check Duplex

 **NOTE:** To resolve the message, you must clear all print media from the print media path.

1. Open the duplex rear door.



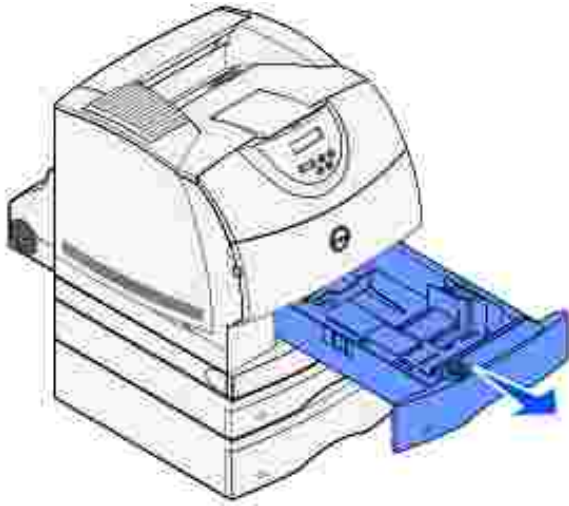
2. Look under the duplex rear door for the edge of the print media to determine how the print media is jammed:
 - o If a short piece is visible inside the duplex unit next to the inner wall, grasp it and pull it out. If you cannot grasp it, see [step 5](#).
 - o If only a short piece of print media is visible toward the rear of the printer, do not pull it out; it may be easier to access from inside the printer. See [200 and 201 Paper Jam Remove Cartridge](#) for instructions.
 - o If most of the print media is visible, pull the print media up and out toward you.



3. Close the duplex rear door. Make sure it *snaps* into place.



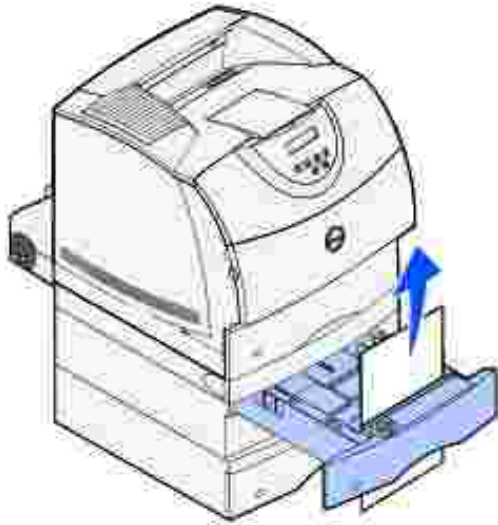
4. Remove the standard tray.



5. Locate the recessed areas on each side of the duplex front access cover.
6. Slowly pull the duplex front access cover straight out.

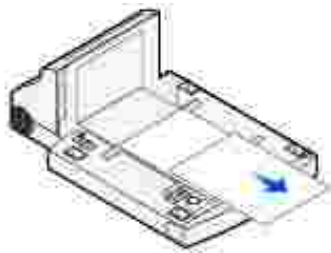


7. If the edge of the print media is visible, pull the print media straight up and out.




If the print media is not visible, continue with [step 8](#). Otherwise, close the duplex front access cover.

8. Remove any sheets of print media lying in the duplex front access cover.



9. Hold the duplex front access cover level while you slide it back into the duplex unit. Make sure it *snaps* into place.
10. Slide the standard tray back into the printer.

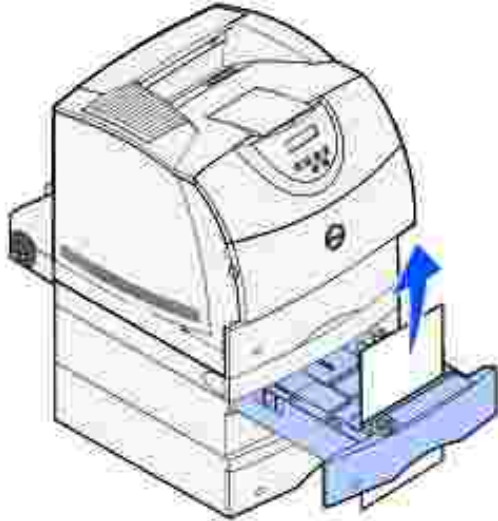
236 Paper Jam Check Duplex

 **NOTE:** To resolve the message, you must clear all print media from the print media path.

1. Locate the recessed areas on each side of the duplex front access cover.
2. Slowly pull the duplex front access cover straight out.



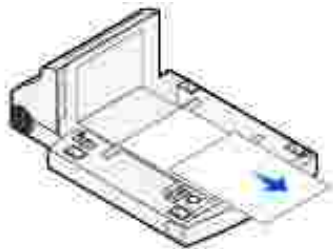
3. If the edge of the print media is visible, pull the print media straight up and out.



If the print media is not visible, continue with [step 4](#). Otherwise, close the duplex front access cover.


4. Slide the standard tray out.

5. Remove any sheets of print media lying in the duplex front access cover.

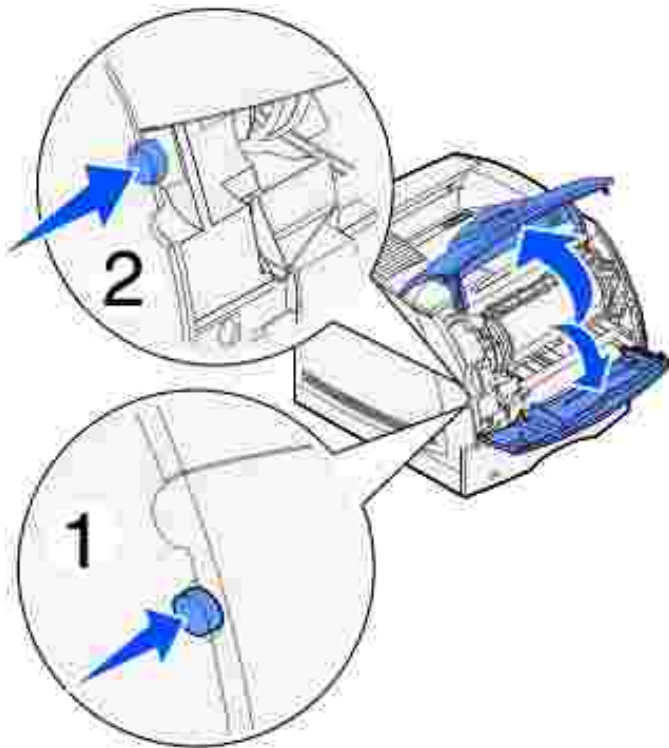



6. Hold the duplex front access cover level while you slide it back into the duplex unit. Make sure it *snaps* into place.
7. Slide the standard tray back into the printer.

237 Paper Jam Check Duplex


 **NOTE:** To resolve the message, you must clear all print media from the print media path.

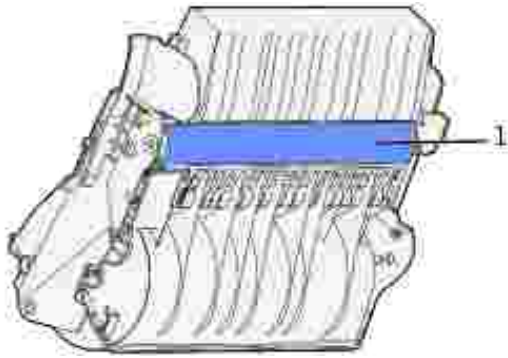
1. Press latch 1 to open the lower door. Press latch 2 to open the upper door.



 **CAUTION:** The rear portion of the inside of the printer is hot.

2. While grasping the toner cartridge by the hand grip, pull the cartridge up toward the upper front door, and then pull it straight out toward you.

 **NOTICE:** Never touch the photoconductor drum on the underside of the cartridge. Use the handhold on the cartridge to avoid touching this area.

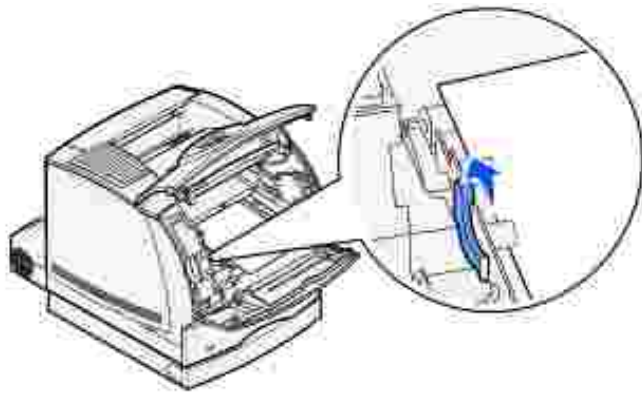


1 Photoconductor drum


Lay the cartridge aside.

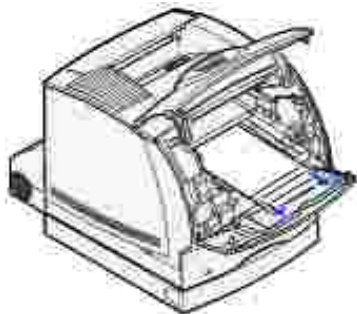
 **NOTE:** Do not leave the cartridge exposed to light for extended periods.

3. Gently push the feed roller release lever toward the back of the printer.



4. Pull the print media up and toward you.

 **CAUTION:** The print media may be covered with unfused toner, which can stain garments and skin.



5. Reinstall the toner cartridge.
6. Close the upper door, and then the lower door.
7. Locate the recessed areas on each side of the duplex front access cover.
8. Slowly pull the duplex front access cover straight out.

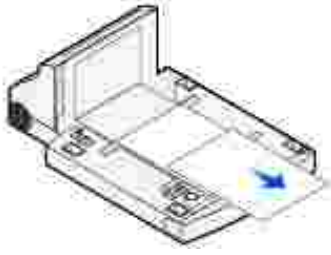


9. If the edge of the print media is visible, pull the print media straight up and out.




If the print media is not visible, continue with [step 10](#). Otherwise, close the duplex front access cover.

10. Slide the standard tray out.
11. Remove any sheets of print media lying in the duplex front access cover.



12. Hold the duplex front access cover level while you slide it back into the duplex unit. Make sure it *snaps* into place.
13. Slide the standard tray back into the printer.

239 Paper Jam Check Duplex

 **NOTE:** To resolve the message, you must clear all print media from the print media path.

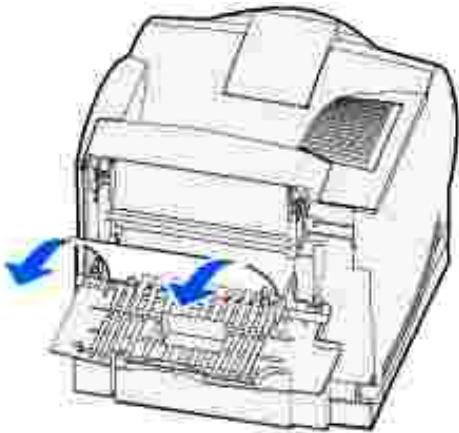
1. Open the printer rear door.



2. Remove any print media based on what part is visible.
 - o If the middle section of print media is visible, grasp it on both sides and gently pull it straight out.

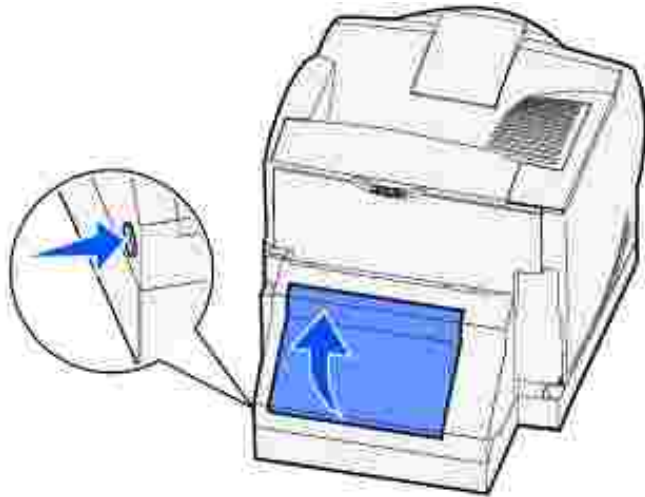


- o If print media is still in the fuser area, open the upper front door and remove the print media.
- o If the end of the print media is visible, pull the print media straight out.



If the print media does not move immediately when you pull, stop pulling. Remove the toner cartridge, and then pull the print media out.

3. Close the printer rear door.
4. Open the duplex rear door.



5. Look under the duplex rear door for the edge of the print media to determine how the print media is jammed:

- If only a short piece of print media is visible toward the rear of the printer, do not pull it out; it may be easier to access from inside the printer. See [200 and 201 Paper Jam Remove Cartridge](#) for instructions.
- If most of the print media is visible, continue with the following:

Pull the print media up and out toward you if the print media is in this position.



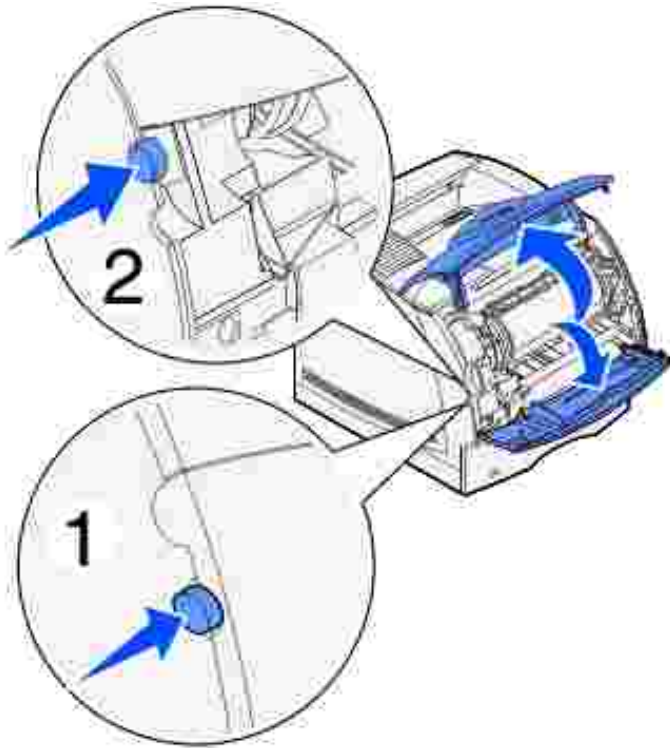
Pull down and out if the print media is in this position.




6. Close the duplex rear door. Make sure it *snaps* into place.




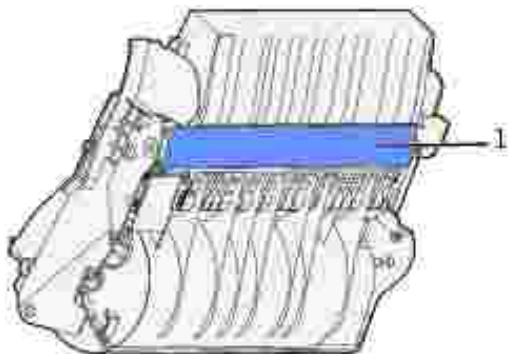
7. Press latch 1 to open the lower door. Press latch 2 to open the upper door.



 **CAUTION:** The rear portion of the inside of the printer is hot.


8. While grasping the toner cartridge by the hand grip, pull the cartridge up toward the upper front door, and then pull it straight out toward you.

 **NOTICE:** Never touch the photoconductor drum on the underside of the cartridge. Use the handhold on the cartridge to avoid touching this area.

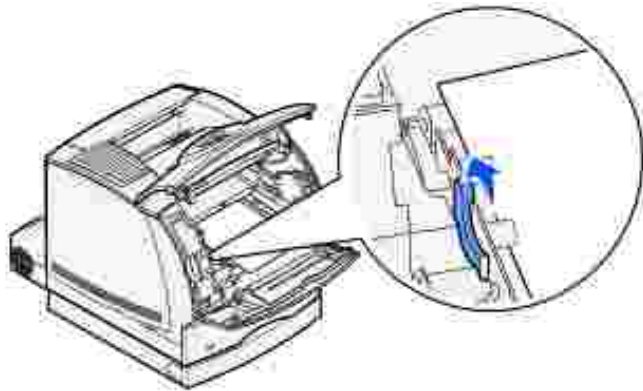


1	Photoconductor drum
---	---------------------


Lay the cartridge aside.

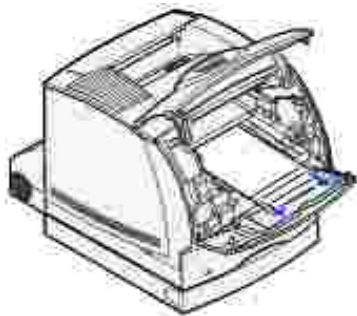
 **NOTE:** Do not leave the cartridge exposed to light for extended periods.

9. Gently push the feed roller release lever toward the back of the printer.



10. Pull the print media up and toward you.

 **NOTE:** The print media may be covered with unfused toner, which can stain garments and skin.



11. Reinstall the toner cartridge.

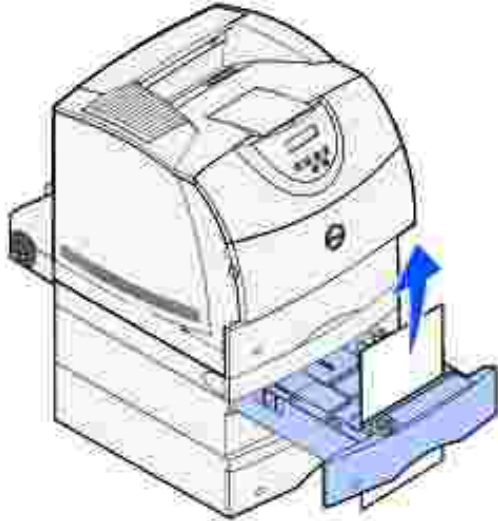
12. Close the upper door, and then the lower door.

13. Locate the recessed areas on each side of the duplex front access cover.

14. Slowly pull the duplex front access cover straight out.



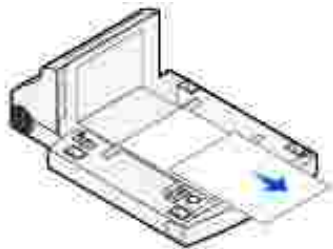
15. If the edge of the print media is visible, pull the print media straight up and out.



If the print media is not visible, continue with [step 16](#). Otherwise, close the duplex front access cover.

16. Slide the standard tray out.

17. Remove any sheets of print media lying in the duplex front access cover.



18. Hold the duplex front access cover level while you slide it back into the duplex unit. Make sure it *snaps* into place.
 19. Slide the standard tray back into the printer.
-

24x Paper Jam Check Tray x

Jams in four areas result in a 24x Paper Jam message, where x represents the tray number where the jam has occurred.



NOTE: To resolve the message, you must clear all print media from the print media path.

For instructions on clearing the jam, click the area where the jam occurred:

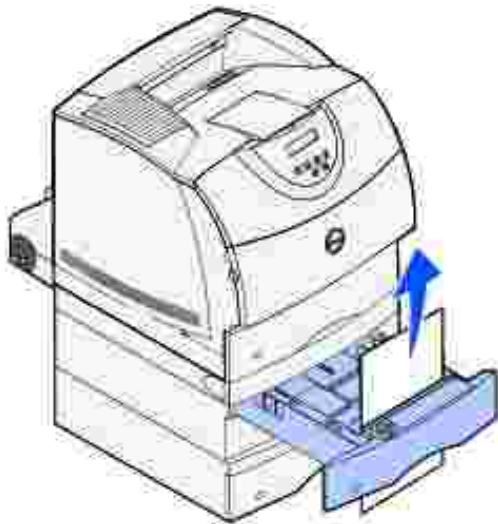
- [On the incline surface of a tray or across two trays](#)
- [Across three trays](#)
(This may happen if you are using legal-size print media in the trays or if you have an optional 250-sheet drawer installed with other optional drawers.)
- [Across an optional tray, the duplex unit, and the standard tray](#)
- [Between the envelope feeder and the printer](#)

On the incline surface of a tray or across two trays

1. Pull the tray halfway out of the support unit.
2. Remove the print media based on how it is jammed:
 - If the print media is lying on the incline or wall surface at the front of the tray, pull the print media straight out.



- o If the print media is in the pass-through area across two trays, pull the print media straight up and out.



- o If you do not see either end of the print media, see [Across three trays](#) to remove the jam.

3. Slide the tray back into the support unit.

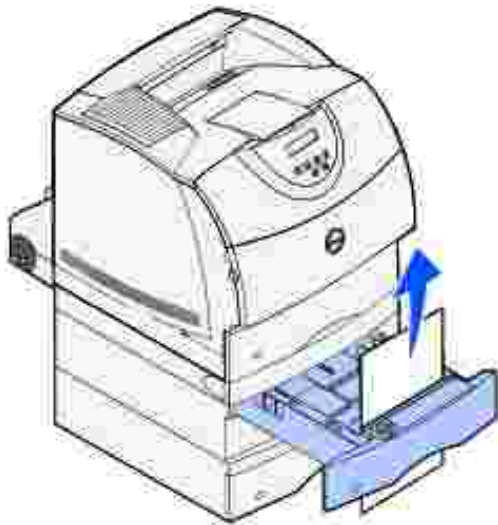
Across three trays

This type of jam may occur if you are using legal-size print media in the trays or if you have a 250-sheet drawer installed with other optional drawers.


1. Pull the tray out of the support unit. If only a short section of the print media is visible, do not pull down to remove the print media.



2. Gently slide the tray back into the support unit.
3. Pull the tray out of the support unit that is above the tray you just closed.
4. Pull the print media either up or down. If it does not pull easily one way, try the other way.

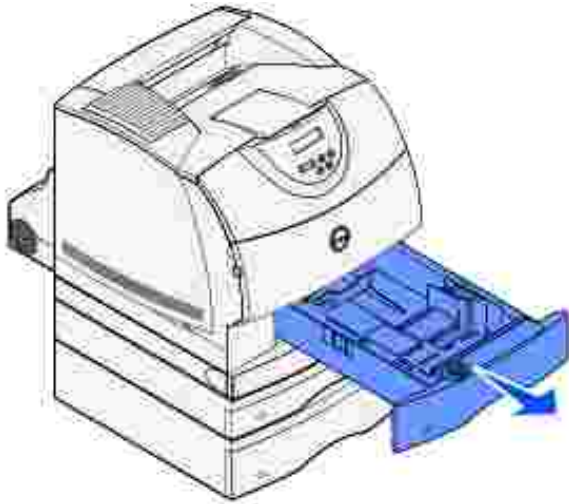


5. Slide the tray back into the support unit.

 **NOTE:** With this type of jam, there may be another jam under the toner cartridge. Remove the cartridge and any jammed print media, and then reinstall the cartridge.

Across an optional tray, the duplex unit, and the standard tray

1. Pull the tray out of the support unit. If only a short section of the print media is visible, do not pull down to remove the print media.



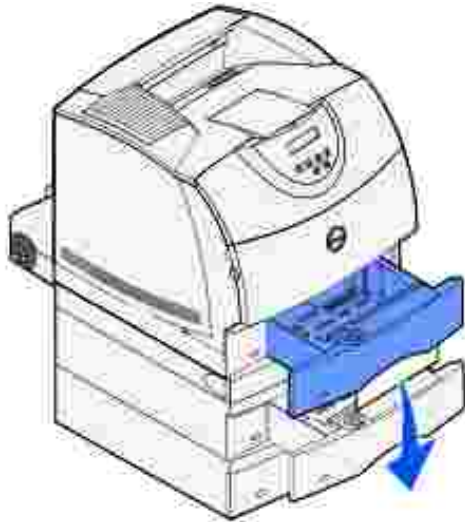
2. Slowly pull the duplex front access cover straight out from the duplex unit.



3. Pull the standard tray out of the printer.

If you see the edge of the print media in the standard tray:

- a. Pull the print media down and out.

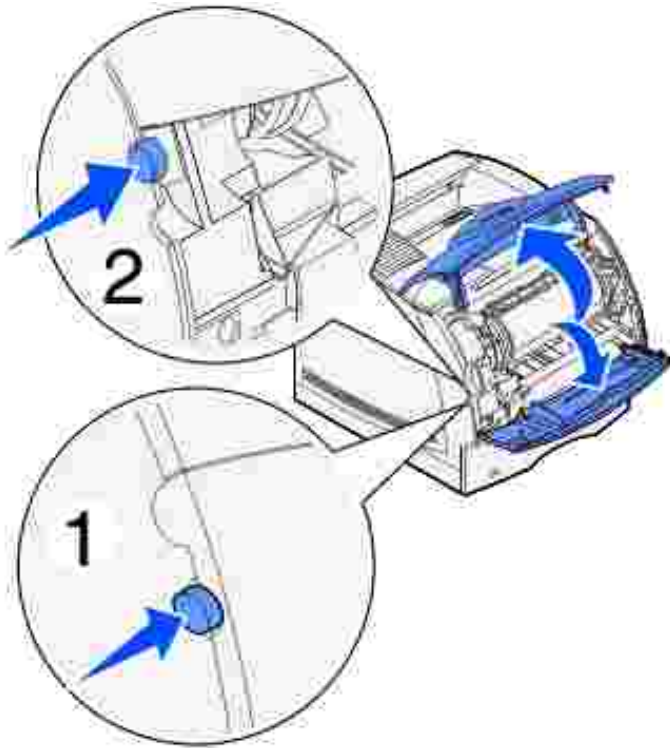


- b. Slide the tray all the way into the printer.
- c. Slide the duplex front access cover back into the duplex unit. Make sure it *snaps* into place.


If you do *not* see the edge of the print media in the standard tray:

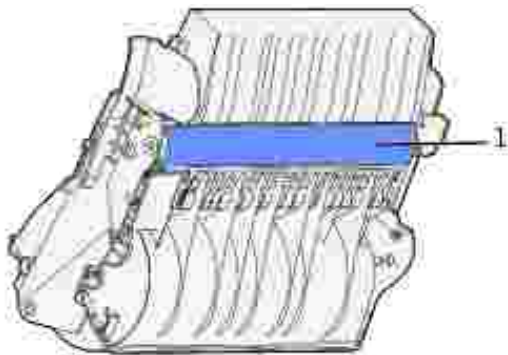
- a. Push the tray back into the printer.

- b. Press latch 1 to open the lower door. Press latch 2 to open the upper door.




c. Remove the toner cartridge.

 **NOTICE:** Do not touch the photoconductor drum on the underside of the toner cartridge. Use the handhold on the cartridge to avoid touching this area.

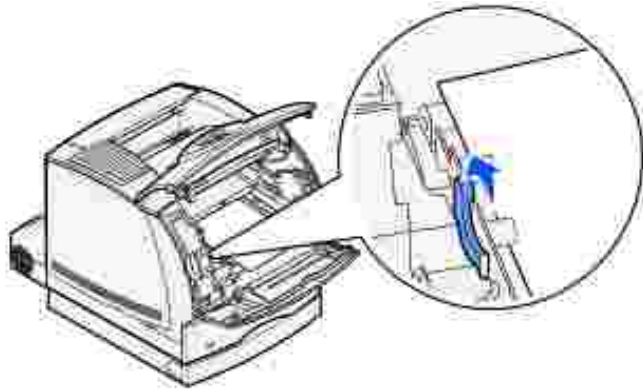


1	Photoconductor drum
---	---------------------

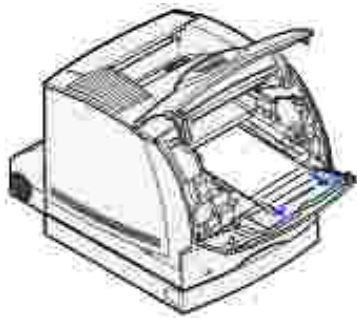
You should see the leading edge of the print media now.

 **NOTE:** The print media may be covered with unfused toner, which can stain garments and skin.

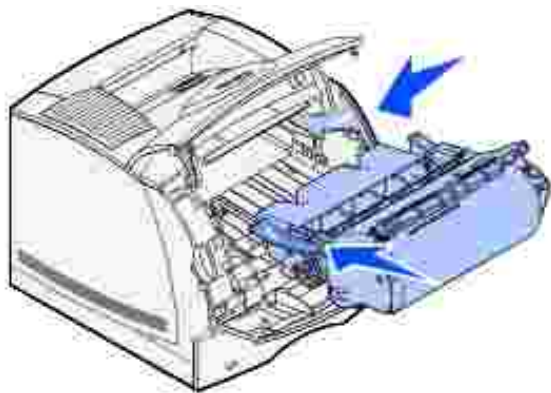
d. Gently push the feed roller release lever toward the back of the printer.



e. Pull the print media out.



f. Reinstall the toner cartridge.
Align the slides on the cartridge with the slots on the toner cartridge cradle. Use the arrows inside the printer for placement. Guide the cartridge in until it *snaps* into place.




g. Close the printer upper and lower front doors.

h. Slide the tray all the way into the printer.

250 Paper Jam Check MP Feeder


Slowly pull the jammed print media straight out of the multipurpose feeder.

 **NOTE:** To resolve the message, you must clear all print media from the print media path.



260 Paper Jam Check Env Feeder

Envelope jams may occur in two areas.

 **NOTE:** To resolve the message, you must clear all envelopes from the print media path.

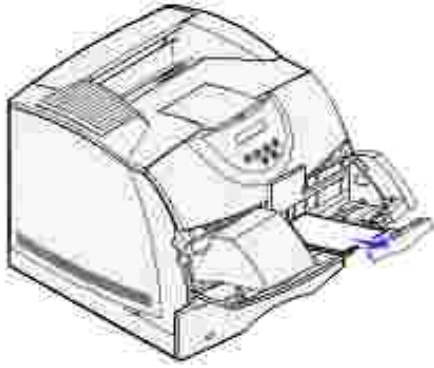
For instructions on clearing the jam, click the area where the jam occurred:

- [At entry into the envelope feeder](#)
- [Between the envelope feeder and the printer](#)


At entry into the envelope feeder

Since the envelope feeder feeds envelopes from the bottom of the stack, the envelope on the bottom is jammed.

1. Lift the envelope weight.
2. Flip the envelope weight back toward the printer.
3. Remove the stack of envelopes from the envelope feeder.
4. Slowly pull the jammed envelope straight out toward you.



5. Replace the stack of envelopes in the envelope feeder.
6. Adjust the envelope edge guide.
7. Lower the envelope weight to the stack.

 **NOTE:** If envelope jams continue to occur, repeat these steps and feed a single envelope between steps 4 and 5. This may correct the problem.

Between the envelope feeder and the printer

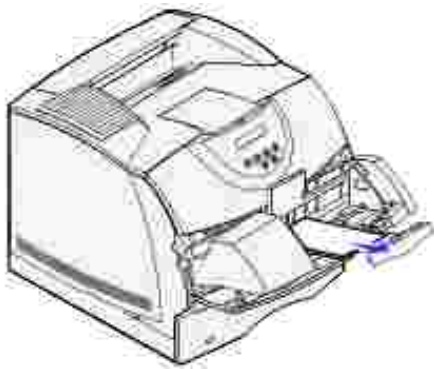
1. Lift the envelope weight.
2. Flip the envelope weight back toward the printer.
3. Remove the stack of envelopes from the envelope feeder.
4. Push the envelope support to the closed position.



5. Open the printer upper front door.
6. Pull the envelope feeder up slightly and straight out of the printer. Set it aside.



7. Pull the envelope straight out of the printer.



 **NOTE:** You may have to remove the toner cartridge to get the envelope out. See [reinstall the toner cartridge](#) for instructions.

8. Reinstall the envelope feeder. Make sure it *snaps* into place.
9. Close the printer upper front door.
10. Replace the stack of envelopes in the envelope feeder.
11. Adjust the envelope edge guide.

Troubleshooting

- [Solving basic printer problems](#)
- [Checking an unresponsive printer](#)
- [Solving display problems](#)
- [Solving printing problems](#)
- [Solving print quality problems](#)
- [Solving option problems](#)
- [Solving network printing problems](#)
- [Contacting service](#)

The sections in this chapter help you solve problems with the printer, options, or print quality.

Solving basic printer problems

Sometimes printer problems are very easy to solve. When you have a problem, first make sure that:

- If a message is displayed on the operator panel, see [Understanding printer messages](#).
 - The printer power cord is plugged into the printer and a properly grounded electrical outlet.
 - The printer power switch is on.
 - The electrical outlet is not turned off by any switch or breaker.
 - Other electrical equipment plugged into the outlet is working.
 - All options are properly installed.
 - If you have checked all of the above and still have a problem, turn the printer power off, wait for about 10 seconds, and then turn the printer power on. This often fixes the problem.
-

Checking an unresponsive printer

When you have a problem, first make sure that:

- The printer power cord is plugged into the printer and a properly grounded electrical outlet.
- The printer power switch is on.
- The electrical outlet is not turned off by any switch or breaker.
- Other electrical equipment plugged into the outlet is working.

- You try turning the printer off, then wait for about 10 seconds, and turn the printer on. This often fixes the problem.
- Your printer driver settings are correct.

 **NOTE:** If an error message appears, see [Understanding printer messages](#).

Solving display problems

Problem	Action
Operator panel displays only diamonds or is blank.	<ul style="list-style-type: none"> • Turn the printer off, wait about 10 seconds, and turn the printer on. • <code>Performing Self Test</code> appears on the operator panel. When the test is completed, <code>Ready</code> is displayed. <p>If the messages do not appear, turn the printer off and contact Dell at support.dell.com.</p>
Menu settings changed from the operator panel have no effect.	<p>Settings in the software application, the printer driver, or the printer utilities are overriding the settings made from the operator panel.</p> <ul style="list-style-type: none"> • Change the menu settings from the printer driver, the printer utilities, or the software application instead of the operator panel. • Disable the settings in the printer driver, the printer utilities, or the software application so you can change settings from the operator panel.

Solving printing problems


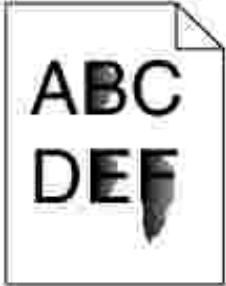
Problem	Action
Job did not print or incorrect characters printed.	Make sure <code>Ready</code> appears on the operator panel before you send a job to print. Press <code>Go</code> to return to <code>Ready</code> .
	Make sure there is print media loaded in the printer. Press <code>Go</code> to return to <code>Ready</code> .
	Verify that the printer is using the correct printer language.
	Verify that you are using the correct printer driver.
	Make sure the Ethernet or USB cable is firmly plugged in at the back of the printer. Make sure you are using the correct cable.
	If the printer is connected through a switch box, try a direct connection.

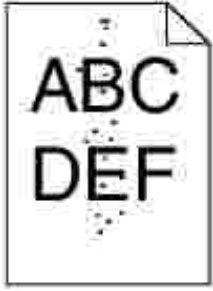
	<p>Verify that the correct print media size is selected through the operator panel, in the printer driver, or in the software application.</p> <p>Make sure PCL SmartSwitch and PS SmartSwitch are set to On.</p> <p>If you are using a print spooler, verify that the spooler is not stalled.</p> <p>Check the printer interface from the Setup Menu.</p> <p>Determine which host interface you are using. Print a menu settings page to verify that the current interface settings are correct. See Solving network printing problems.</p>
Printer is connected to the USB port, but will not print.	Make sure you are using Windows 98, Windows 2000, Windows Me, or another USB-capable operating system.
Print media misfeeds or multiple feeds occur.	<p>Make sure the print media you are using meets the specifications for your printer. See Print media supported for more details.</p> <p>Flex print media before loading it in any of the sources.</p> <p>Make sure the print media is loaded correctly.</p> <p>Make sure the width and length guides on the print media sources are adjusted correctly.</p> <p>Do not overfill the print media sources.</p> <p>Do not force print media into the multipurpose feeder when you load it; otherwise, it may skew or buckle.</p> <p>Remove any curled print media from sources.</p> <p>Load the recommended print side correctly for the type of print media you are using. See Loading print media in standard and optional trays for more information.</p> <p>Load less print media in the sources.</p> <p>Turn the print media over or around and try printing again to see if feeding improves.</p> <p>Do not mix print media types.</p> <p>Do not mix reams of print media.</p> <p>Remove the top and bottom sheets of a ream before loading the print media.</p> <p>Load a print media source only when it is empty.</p>
Envelope misfeeds or multiple feeds occur.	Remove the stack of envelopes from the envelope feeder. Load one envelope, feed it through the printer, and then reload the stack of envelopes in the envelope feeder.
Page breaks in unexpected places.	Check the Print Timeout setting in the Setup Menu. Increase the setting.
Job prints from the wrong source or on the wrong print media.	Check the Paper Type setting in the Paper Menu from the printer operator panel and in the printer driver.
Print media does not stack neatly in any output bin.	<ul style="list-style-type: none"> • Turn the print media stack over in the tray or multipurpose feeder. • Make sure you are using a print media size compatible with your optional output bins. See Print media supported.

Printer does not duplex pages.

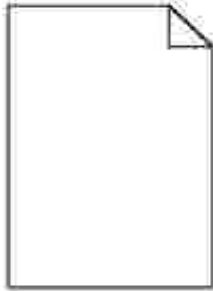
- Make sure Duplex is selected in both the Finishing Menu and in the printer driver.
- Make sure you have enough printer memory installed.

Solving print quality problems

Problem	Action
<p>Print is too light.</p> 	<ul style="list-style-type: none">• The toner may be low. To utilize the remaining toner, remove the cartridge by gripping the handles with both hands. With the cartridge arrows pointing downward, gently shake the toner cartridge back and forth. Reinstall the cartridge and then press Go.• Change the Toner Darkness setting in the Quality Menu.• If you are printing on an uneven print surface, change the Paper Weight and Paper Texture settings in the Paper Menu. See Paper Type.• Verify that the correct print media is being used.
<p>Toner smears or print comes off the page.</p> 	<ul style="list-style-type: none">• If you are printing on an uneven print surface, change the Paper Weight and Paper Texture settings in the Paper Menu. See Paper Type.• Verify that the print media is within the printer specifications. See Print media supported for more details. <p>If the problem continues, turn the printer off and contact Dell at support.dell.com.</p>
<p>Toner appears on the back of the printed page.</p>	<p>Toner is on the transfer roller. To help prevent this, do not load print media that is smaller than the page size of the job to be printed.</p> <p>Open and close the printer upper front door to run the printer setup cycle and clean the transfer roller.</p>
<p>Toner fog or background shading appears on the page.</p>	<ul style="list-style-type: none">• Check the toner cartridge to make sure it is installed correctly.• Change the toner cartridge. See Replacing the toner cartridge for more details.• If the problem continues, change the charge roll. See Replacing the charge roll for more details.

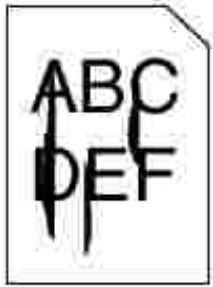


Entire page is white.



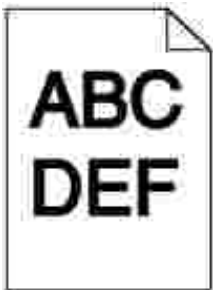
- Make sure the packaging material is removed from the toner cartridge.
- Check the toner cartridge to be sure it is installed correctly.
- The toner may be low. To utilize the remaining toner, remove the cartridge by gripping the handles with both hands. With the cartridge arrows pointing downward, gently shake the toner cartridge back and forth. Reinstall the cartridge and then press Go.

Streaks appear on the page.



- The toner may be low. To utilize the remaining toner, remove the cartridge by gripping the handles with both hands. With the cartridge arrows pointing downward, gently shake the toner cartridge back and forth. Reinstall the cartridge and then press Go.
- If you are using preprinted forms, make sure the ink can withstand temperatures of 212°C (414°F).

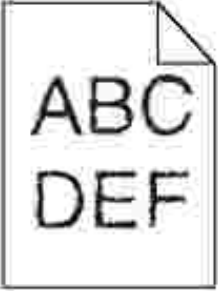
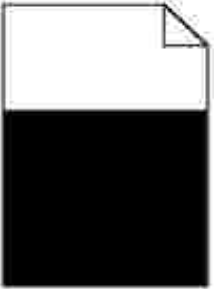
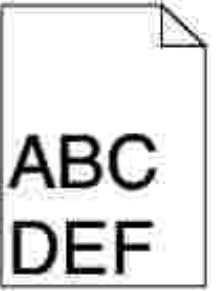
Printing is too dark



Change the [Toner Darkness](#) setting in the Quality Menu.

Characters have jagged or uneven edges

- Change the [Print Resolution](#) setting in the Quality Menu to 600 dpi or 1200 dpi.
- If you are using downloaded fonts, verify that the fonts are supported by the printer, the host computer, and the software application.

	
<p>Part or all of the page is printed in black.</p> 	<ul style="list-style-type: none"> • Check the toner cartridge to see if it is installed correctly. • If the charge roll has been replaced, verify that it is installed correctly.
<p>The job prints, but the top and side margins are incorrect.</p> 	<ul style="list-style-type: none"> • Make sure the Paper Size setting in the Paper Menu is correct. • Make sure the margins are set correctly in your software application.

Solving option problems

If an option does not operate correctly after it is installed or if it quits working:

- Turn the printer off, wait for about 10 seconds, and turn the printer on. If this does not fix the problem, unplug the printer, and check the connection between the option and printer.
- Print the menu settings page and check to see if the option is listed in the Installed Options list. If the option is not listed, reinstall it. See [Printing a menu settings page](#) for more information.
- Make sure the option is selected in the software application you are using.

The following table lists printer options and suggested corrective actions for related problems. If the suggested corrective action does not fix the problem, call your service representative.

Option	Action
Drawers	<ul style="list-style-type: none"> • Make sure the connection between drawers (250-sheet drawer or 500-sheet drawer), or the connection between a drawer and a duplex unit or the printer, is secure. • Make sure the print media is loaded correctly. See Loading print media in standard and optional trays for more details.
Duplex unit	<ul style="list-style-type: none"> • Make sure the connection between the duplex unit and the printer is secure. If the duplex unit is listed on the menu settings page, but print media jams when it enters or exits the duplex unit, the printer and duplex unit may not be properly aligned. • Make sure the duplex front access cover is securely installed.
Envelope feeder	<ul style="list-style-type: none"> • Make sure the connection between the envelope feeder and the printer is secure. • Make sure the Paper Size setting is correct in both the Paper Menu and in the software application. • Make sure the envelopes are loaded correctly. See Using and loading the optional envelope feeder for more details.
Printer memory	Check to make sure printer memory is securely connected to the printer system board.
USB interface	<ul style="list-style-type: none"> • Make sure the USB interface card is securely connected to the printer system board. • Make sure you are using the correct cable and that it is securely connected.

Solving network printing problems

Problem	Action
Job did not print or incorrect characters printed.	Verify that the internal print server or external print server is set up properly and the network cable is connected.
	For Novell users: <ul style="list-style-type: none"> • Make sure the NT (no tabs) flag is included in the capture statement.

Contacting service

When you call for printer service, be prepared to describe the problem you are experiencing or the error message on the display.

You need to know your printer model type and serial number. Refer to the label on the back of the printer

near the power cord for this information. The serial number is also listed on the menu settings page you can print from the Utilities Menu. See [Printing a menu settings page](#) for more information.

For information about obtaining service, contact Dell at support.dell.com for more information.

Maintaining your printer

- [Maintaining your printer](#)
 - [Determining the status of supplies](#)
 - [Conserving supplies](#)
 - [Ordering supplies](#)
 - [Storing supplies](#)
 - [Storing the toner cartridge](#)
 - [Replacing the toner cartridge](#)
 - [Replacing the charge roll](#)
 - [Replacing the transfer roller](#)
 - [Replacing the pick rollers](#)
 - [Resetting the maintenance counter](#)
 - [Printer maintenance when printing on card stock](#)
 - [Printer maintenance when printing on labels](#)
-

Maintaining your printer

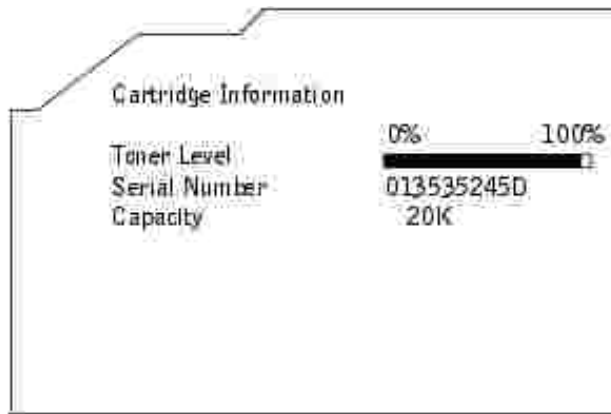
Periodically you need to complete certain tasks to maintain optimum print quality. If several people are using the printer, you may want to designate a key operator to maintain your printer. Refer printing problems and maintenance tasks to this key operator.

Determining the status of supplies

If your printer is connected to the network, the Dell Configuration Web Tool can provide instant feedback on remaining toner levels. Type the printer IP address in your Web browser to view this information. To use the email alert setup feature that notifies you whenever the printer needs supplies, type your name or the name of the key operator in the email list box.

The printer operator panel also alerts you to any supply or maintenance items that need replacing. However, the printer can only display information about one item at a time.

You can also print the menu settings page from the Utilities Menu to see the percentage of life remaining for each of the items is indicated. (Press Menu until you see Utilities Menu, and then press Select. Press Menu until you see Print Menus, and then press Select to print the menu settings page.) Look for "Cartridge Information".



Conserving supplies

Several settings in your application software or on the display let you conserve toner and paper:

Supply	Setting	What the setting does	For more information, see...
Toner	Toner Darkness in the Quality Menu	Lets you adjust the level of toner released on a sheet of print media. The values range from 1 (lightest setting) to 10 (darkest setting).	Toner Darkness
Print media	Multipage Print	Causes the printer to print two or more page images on one side of a sheet. Values for Multipage Print are 2 Up, 3 Up, 4 Up, 6 Up, 9 Up, 12 Up, and 16 Up. Combined with the duplex setting, Multipage Print lets you print up to 32 pages on one sheet of paper (16 images on the front and 16 on the back).	Multipage Print
	Duplex	Duplex printing is available when you attach the optional duplex unit. It lets you print on both sides of a sheet of paper.	Duplex
	Use your software application or printer driver to send a Verify Print job. Use Held Jobs in the Job Menu to access your Verify Print job.	Lets you examine the first copy of a multiple-copy job to be sure it is satisfactory before you print the other copies. If the job is unsatisfactory, you can cancel the job.	Verify Print Canceling a print job Held Jobs

Ordering supplies

If your printer is connected to the network, type your printer IP address in your Web browser to launch the Dell Configuration Web Tool and click the toner supplies link.

1. Click Start → Programs or All Programs → Dell Printers → Dell Laser Printer W5300 → Dell Printer Supplies–Laser.
2. The Order Toner Cartridges window appears:
 - a. Choose your printer model from the drop-down list on the screen.
 - b. Enter your Dell printer Service Tag number in the field provided.

Your Service Tag number is located inside the front door of your printer.
 - c. Click Visit Dell's cartridge ordering website.
3. Order toner from the Web at www.dell.com/supplies.

Ordering a Maintenance kit

80 Scheduled Maintenance appears on the display after 300,000 pages have printed to let you know it is time to replace printer maintenance items. Order a maintenance kit when 80 Scheduled Maintenance first appears on the display. The maintenance kit contains all the items necessary to replace the pick rollers, the charge roll, and the transfer roller.

Ordering a charge roll

We recommend ordering a new charge roll when toner fog or background shading appears on printed pages. To order a charge roll, contact Dell.

Ordering a transfer roller

To order a transfer roller, contact Dell.

Ordering pick rollers

To order pick rollers, contact Dell.

Storing supplies

Use the following guidelines for proper print media storage. These help avoid paper feeding problems and uneven print quality:

- For best results, store print media in an environment where the temperature is approximately 21°C (70°F) and the relative humidity is 40%.
 - Store cartons of print media on a pallet or shelf, rather than directly on the floor.
 - If you store individual packages of print media out of the original carton, make sure they rest on a flat surface so the edges do not buckle or curl.
 - Do not place anything on top of the print media packages.
-

Storing the toner cartridge

Store the toner cartridge in the original packaging until you are ready to install it.

Do not store the toner cartridge in:

- Temperatures greater than 40°C (104°F).
 - An environment with extreme changes in humidity or temperature.
 - Direct sunlight.
 - Dusty places.
 - A car for a long period of time.
 - An environment where corrosive gases are present.
 - An environment with salty air.
-

Replacing the toner cartridge

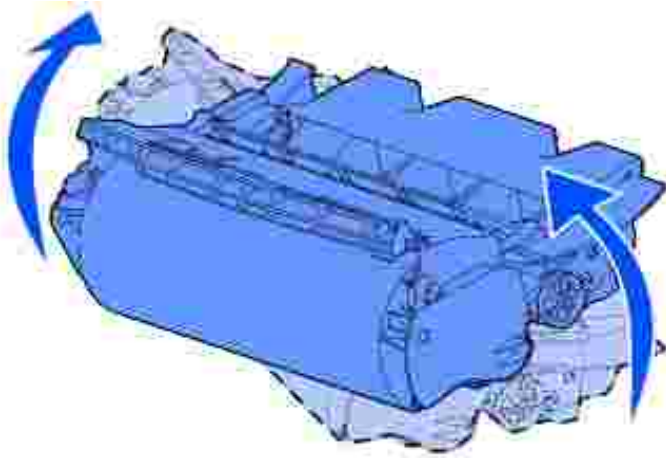


CAUTION: Before performing any of the following procedures, read and follow the safety information in your *Owner's Manual*.


Whenever you send a job to print, the Status Monitor posts a message on your computer screen when toner is running low.

The printer operator panel also alerts you with an 88 Toner Low message.

You can print a few hundred pages after you get the first toner low message. To use the remaining toner, remove the toner cartridge, gently shake it back and forth, and reinstall it.




Order a new toner cartridge so you will have it on hand when the current cartridge no longer prints satisfactorily. See [Ordering supplies](#) for information on ordering toner cartridges.

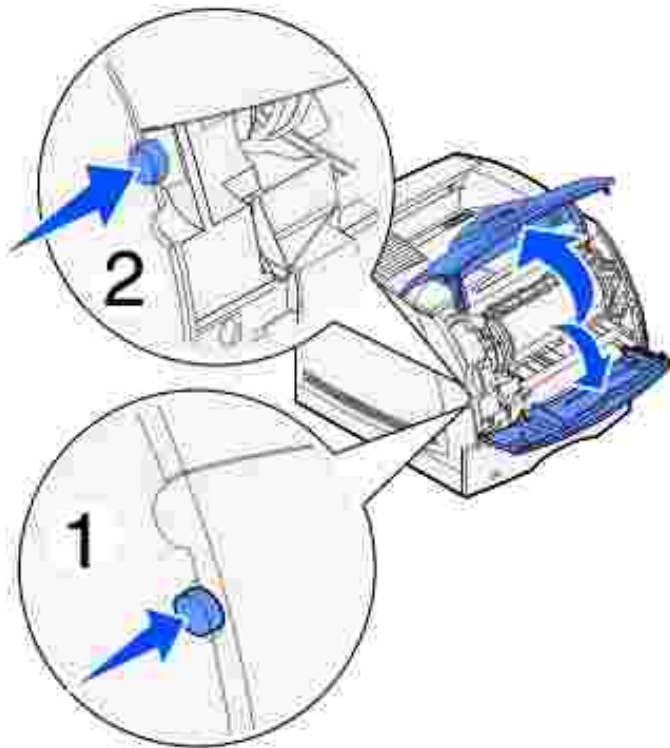
 **CAUTION:** Dell does not recommend that you use toner cartridges from a third-party refiller. Print quality and printer reliability cannot be guaranteed if you do. For best results, use Dell supplies.


Removing the used toner cartridge

1. Turn the printer off and unplug the printer power cord.


 **NOTE:** Remove any print jobs from the output bin before opening the lower and upper front doors.

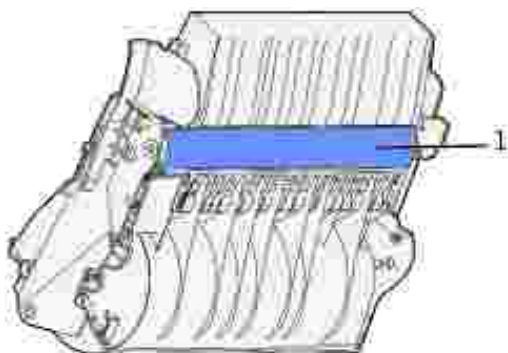
2. Press latch 1 to open the lower door. Press latch 2 to open the upper door.



 **CAUTION:** The rear portion of the inside of the printer is hot.

3. While grasping the toner cartridge by the hand grip, pull the cartridge up toward the upper front door, and then pull it straight out toward you.

 **NOTICE:** Never touch the photoconductor drum on the underside of the cartridge. Use the handhold on the cartridge to avoid touching this area.




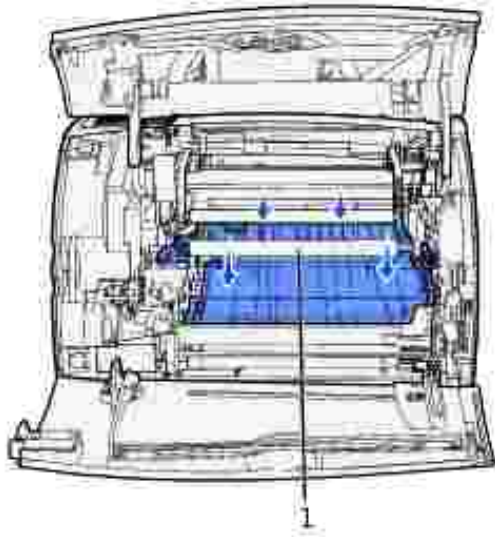
1	Photoconductor drum
---	---------------------

4. Set it aside.


Cleaning the printer

Using a clean, lint-free cloth, gently clean the shaded areas by wiping toward the front of the printer.

 **NOTICE:** Do not touch the transfer roller.

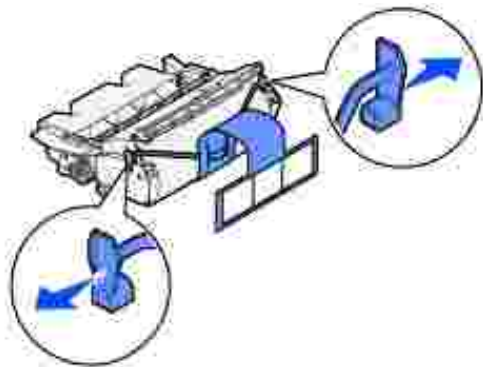



1 Transfer roller

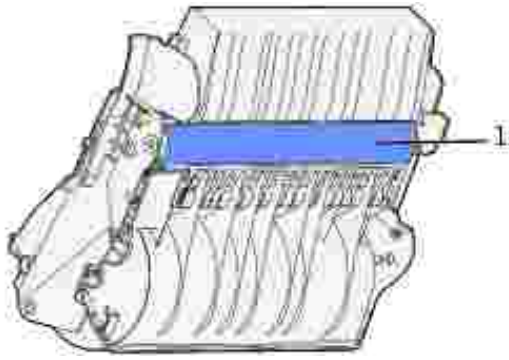
 **CAUTION:** The rear portion of the inside of the printer is hot due to the fuser. Allow time for the printer to cool before attempting to remove parts in this area.

Installing the new toner cartridge

1. Pull the tabs on each side of the plastic strap to remove the packaging from the toner cartridge. Save the packaging and foam to return the used toner cartridge.

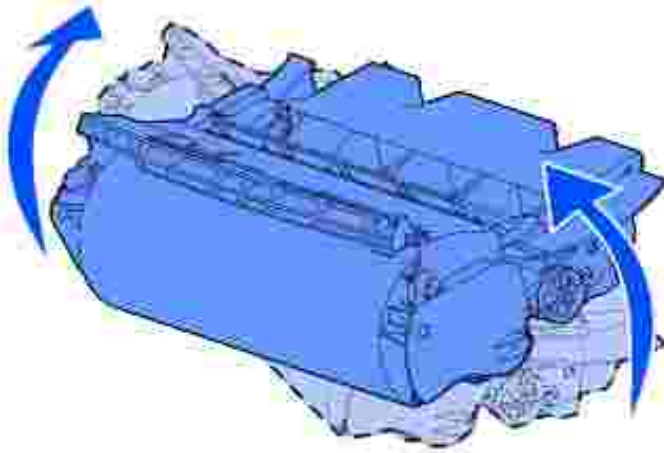


 **NOTICE:** Do not touch the photoconductor drum on the underside of the toner cartridge.

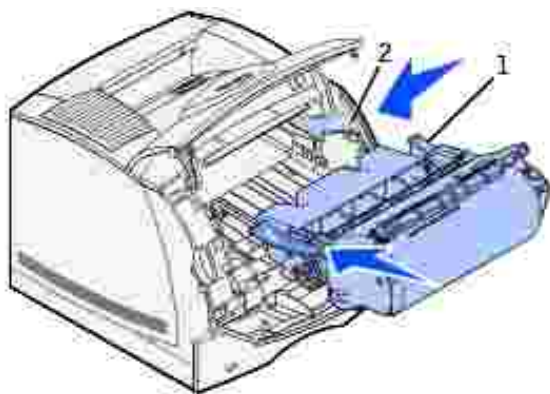


1 Photoconductor drum

2. Hold the toner cartridge by the handle and gently shake it side-to-side to distribute the toner.



3. Align the tabs on each side of the toner cartridge with the slots on each side of the cartridge cradle. Use the arrows inside the printer for placement.



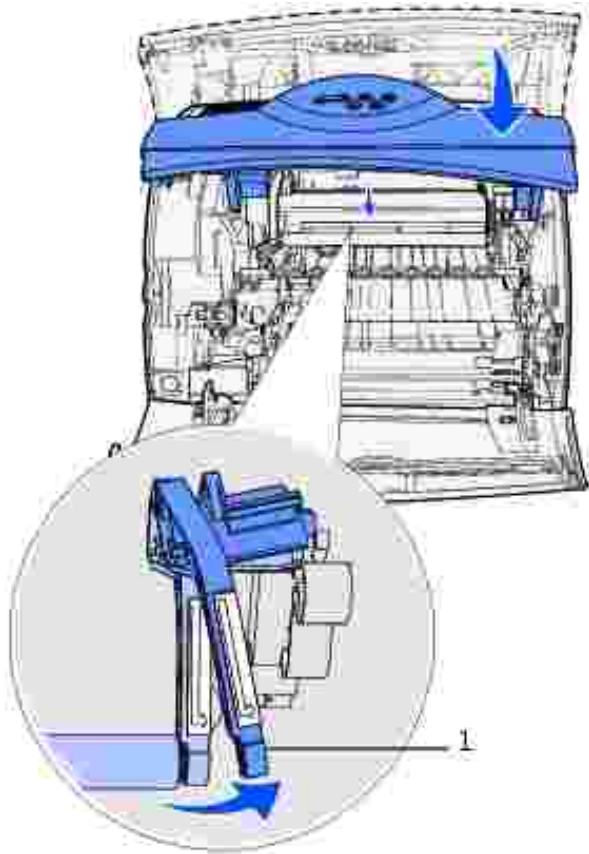
1	Tab
2	Slot

4. Guide the toner cartridge in until it *snaps* into place.
 5. Close the upper door, and then the lower door.
 6. Turn the printer on.
-

Replacing the charge roll

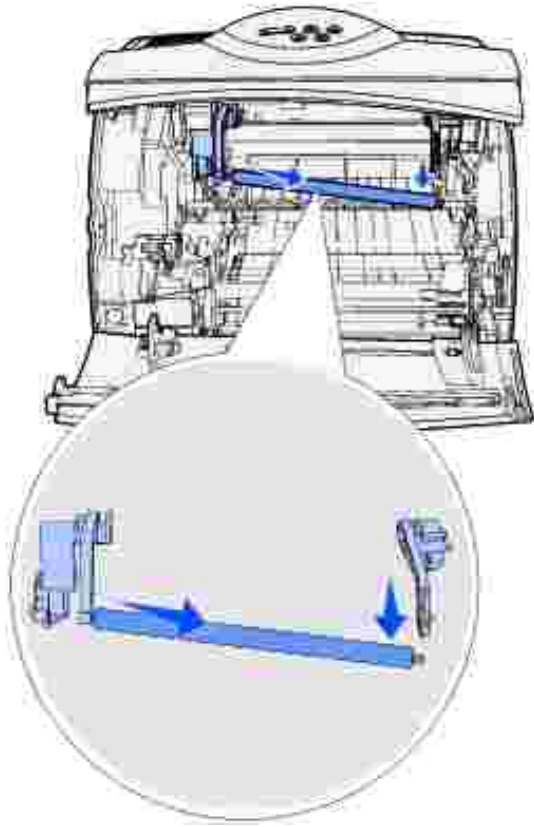
Order a new charge roll kit when toner fog or background shading appears on printed pages. See [Ordering supplies](#) for information on ordering a charge roll.

1. Turn the printer off and unplug the printer power cord.
2. Open the front doors and remove the toner cartridge.
3. Pull the upper front door halfway down.
4. Locate the used charge roll above the area for the toner cartridge.
5. Locate the label with an arrow on the right side of the housing. It is attached to the arm-like tab.
6. Push the arm-like tab to the right to release the charge roll.

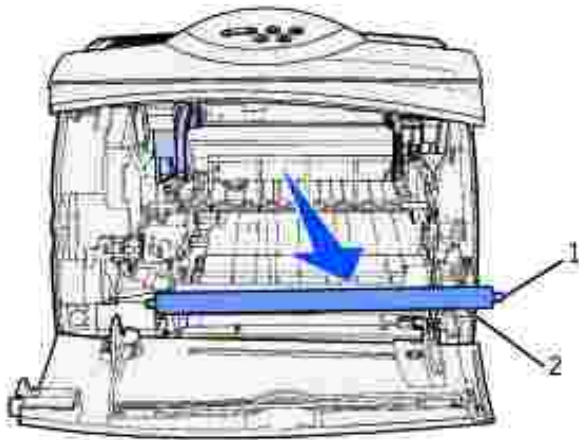


1	Tab
---	-----

7. Pull down on the charge roll until it is loose.
8. Pull the charge roll to the right to loosen the left side.



9. Pull the charge roll straight out of the printer and set it aside.

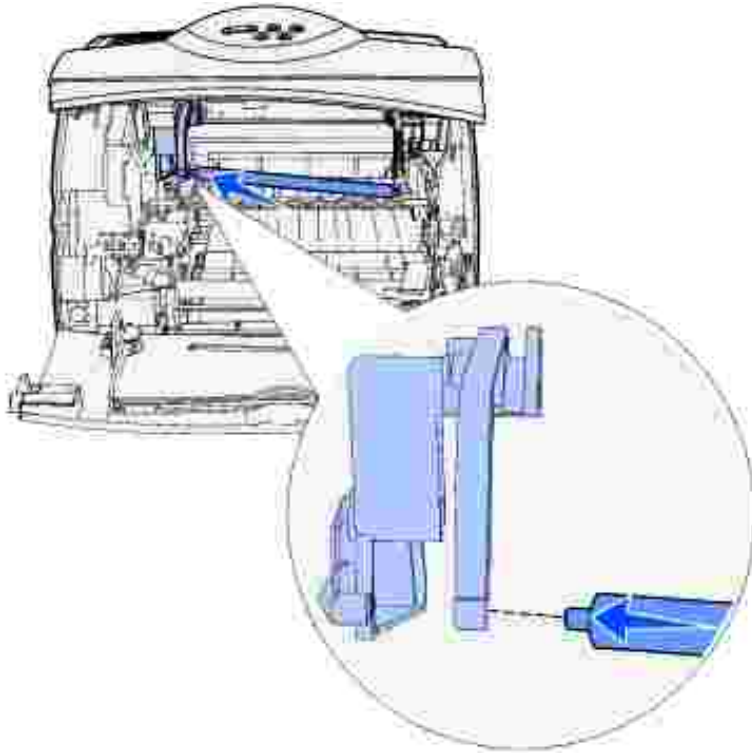


1	Metal tab
2	Cylinder part

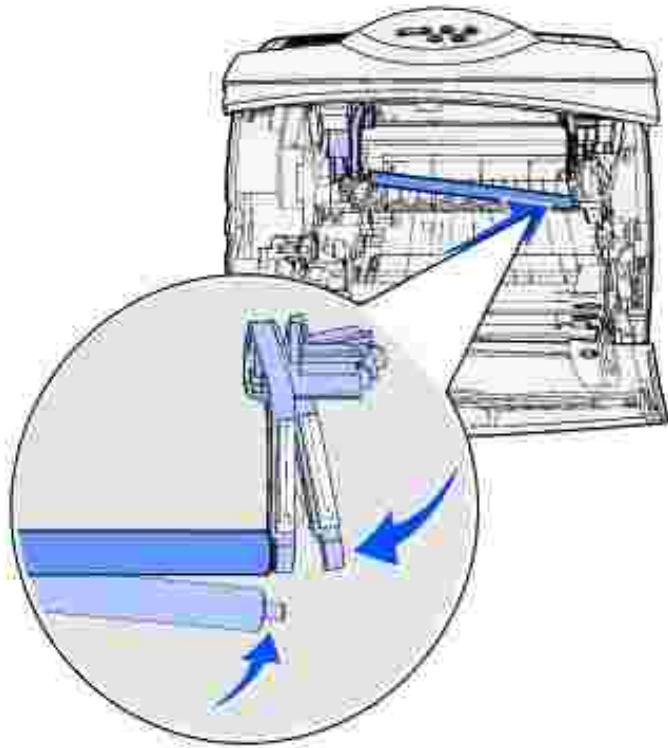
10. Remove any packaging from the new charge roll.

- NOTICE:** Do not touch the cylinder part of the charge roll when installing the unit. You may touch the metal tabs on each end to help you in the installation. Touching the cylinder part will contaminate the charge roll and affect printing.

11. Align the metal tab on the left side of the new charge roll with its hole and insert it.



12. Raise the right side of the charge roll.
13. Push the arm-like tab with the right arrow label on it to the right.
14. Lift the right side of the charge roll and insert it into its hole.



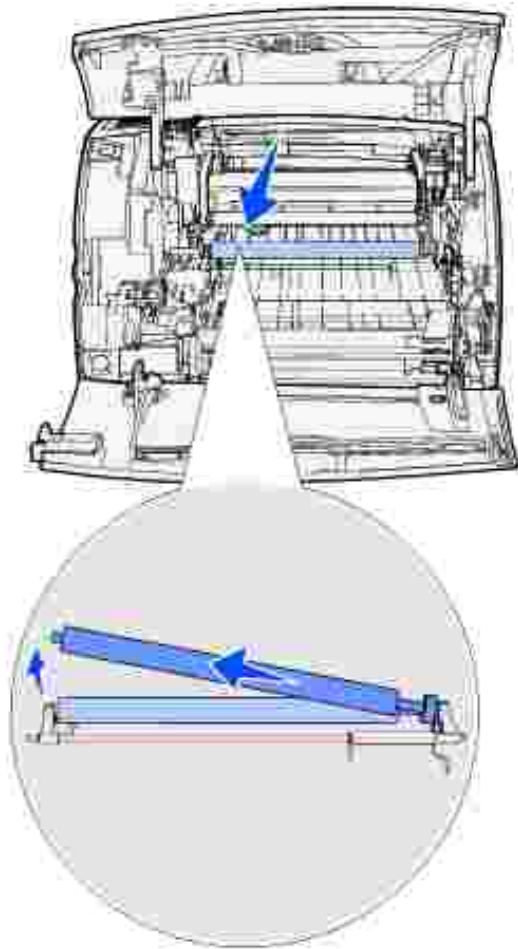
15. Release the metal arm-like tab.
 16. Reinstall the toner cartridge and close the front doors.
 17. Plug the printer power cord into a properly grounded electrical outlet.
 18. Reset the maintenance counter. See [Resetting the maintenance counter](#).
-

Replacing the transfer roller

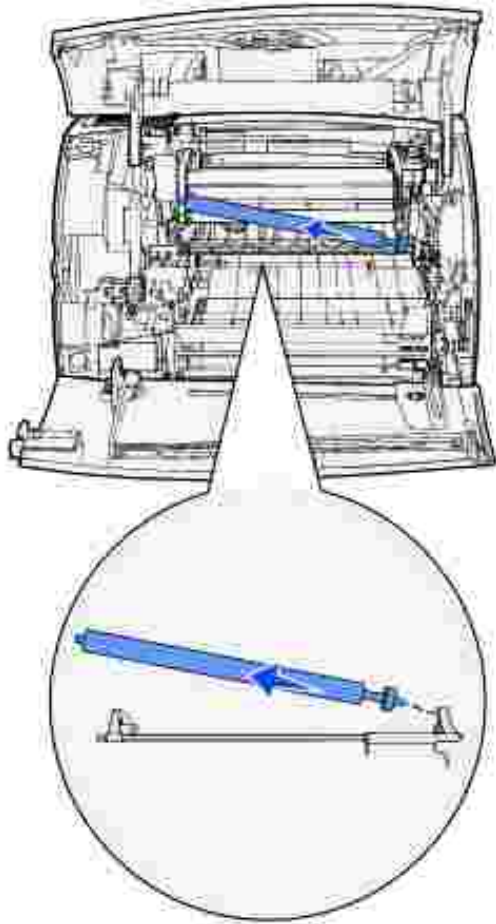
Order a new transfer roller when light print, toner fog, or background shading appears on printed pages. See [Ordering supplies](#) for information on ordering a transfer roller.

Complete the following steps to replace the transfer roller. Refer to the documentation that comes with the transfer roller for detailed installation information.

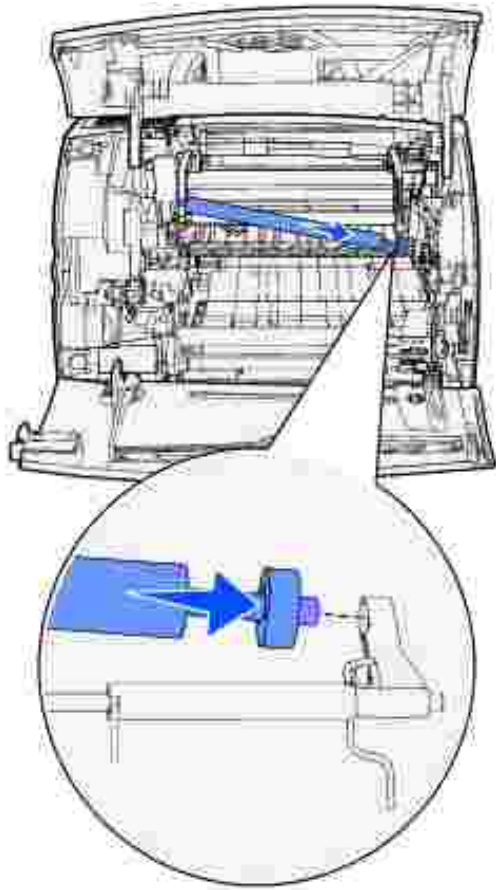
1. Turn the printer off and unplug the printer power cord.
2. Open the front doors and remove the toner cartridge.
3. Locate the used transfer roller on the lower floor of the toner cartridge housing.
4. Pry the left side of the transfer roller up from its slot to loosen it. (Use any kind of small tool.)



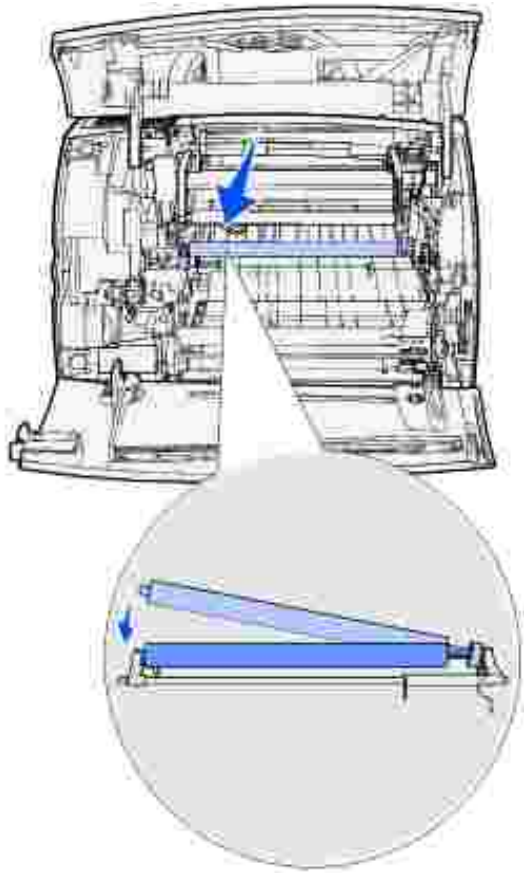
5. Pull the transfer roller to the left to loosen the right side and then pull it straight out of the printer. Set it aside.



6. Remove any packaging from the new transfer roller.
7. Grasp the transfer roller on the left side as shown.
8. Locate the small hole and insert the metal tab on the right side of the transfer roller into the hole.



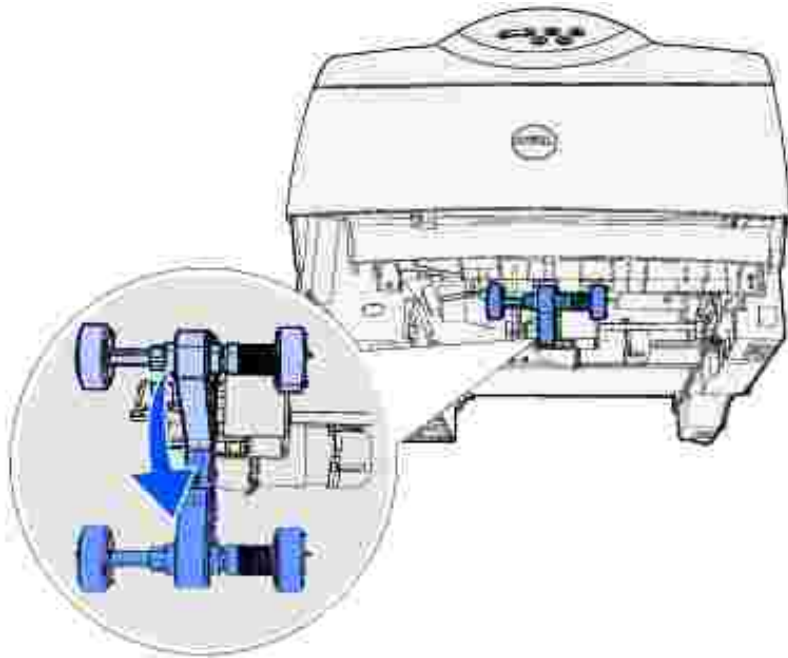
9. Lower the transfer roller gently until the left metal tab fits into the slot. You may have to push it down for a secure fit.



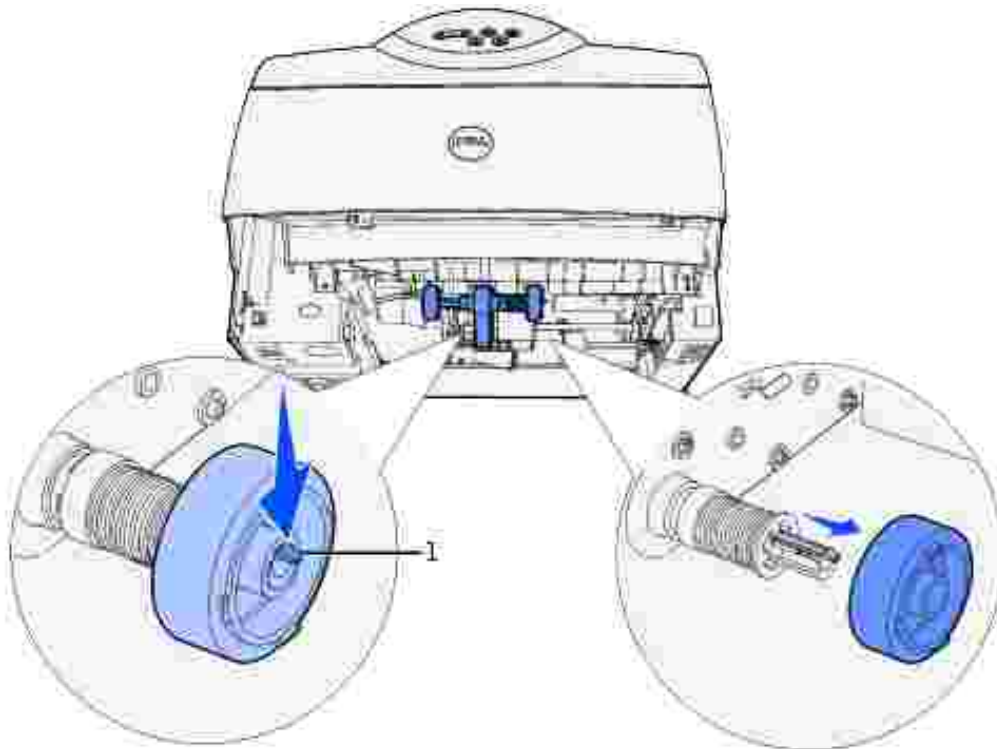
10. Reinstall the toner cartridge and close the front doors.
 11. Plug the printer power cord into a properly grounded electrical outlet.
 12. Reset the maintenance counter. See [Resetting the maintenance counter](#).
-

Replacing the pick rollers

1. Remove the standard tray.
2. Look underneath the printer for the pick roller arm and pull it down.



3. Press on the end of the tab and pull the pick roller off the arm.




1	Tab
---	-----

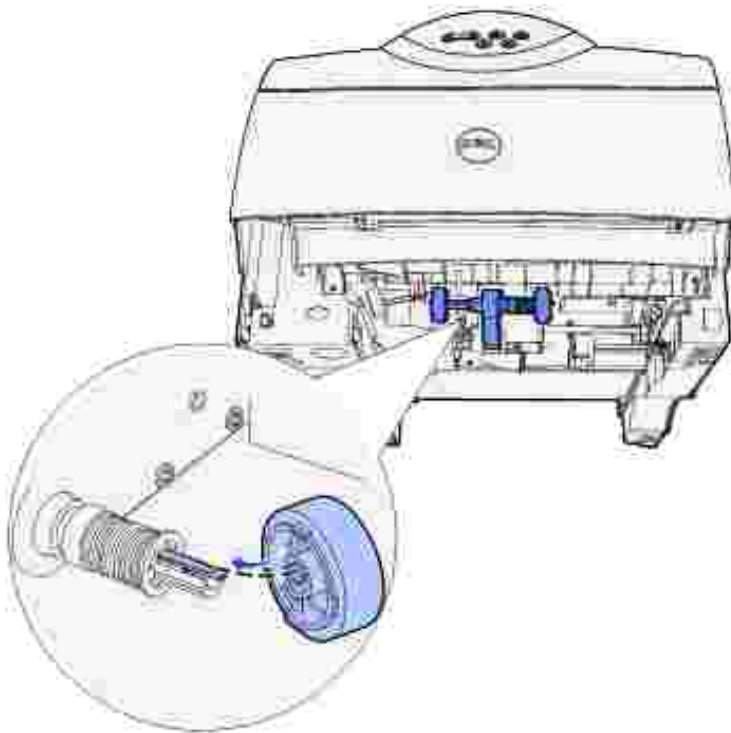
4. Repeat [step 3](#) on the other side to remove the other pick roller.

5. Gently release the pick roller arm.
6. Discard the used pick rollers.

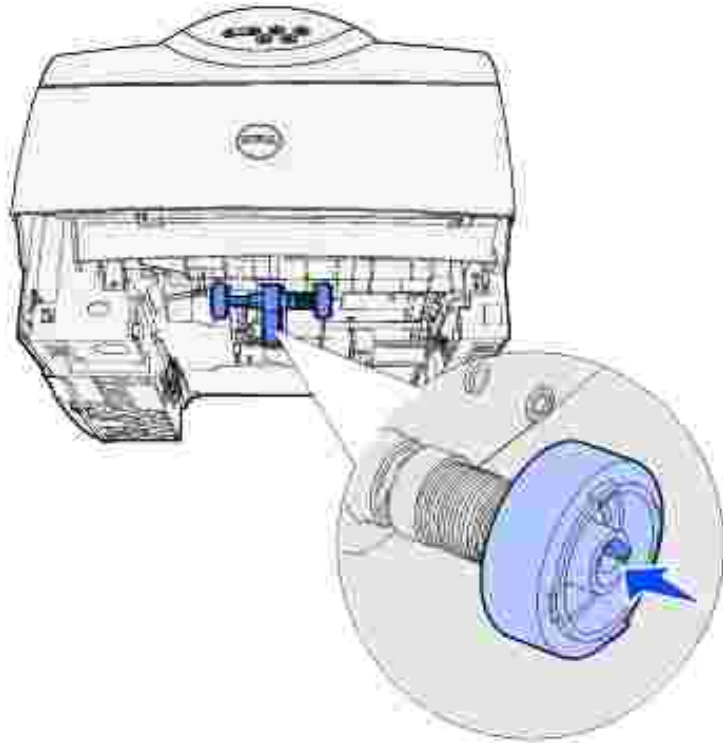
To install the new pick rollers:

1. Remove the two pick rollers from the packaging.
2. Pull the pick roller arm down.
3. Locate the recessed area on the pick roller and align it with the tab on the arm.

 **NOTE:** There are two arrows on each pick roller. Make sure the bottom arrow faces you as you align the recessed area with the tab.



4. Push the pick roller onto the arm with the tab aligned.



5. Repeat [step 3](#) and [step 4](#) to install the other pick roller.
6. Gently release the pick roller arm.
7. Insert the standard tray.

Resetting the maintenance counter

[After replacing all the items in the maintenance kit, reset the maintenance counter:](#)

1. Press and hold the Select and Return buttons while you turn the printer on.
2. Release the buttons when `Performing Self Test` appears on the display.

The printer performs its power-on sequence, and then `Config Menu` appears on the first line of the display.

3. Press Menu until you see `Reset Maint Cnt` and then press Select.

`Reset` appears on the second line of the display.

4. Press Select.

`Resetting Maint Cnt Value` appears briefly on the display, and then is replaced by `Config Menu` on the top line and `Reset Maint Cnt` on the second line.

5. Press Menu until you see `Exit Config Menu`, and then press Select.

`Activating Menu Changes` appears briefly, followed by `Performing Self Test`. The printer returns to the Ready state.

Printer maintenance when printing on card stock

After printing approximately 10,000 pages of card stock (or each time you replace the toner cartridge), complete the following steps to maintain printer feeding reliability:

1. Print five sheets of paper.
 2. Wait approximately five seconds.
 3. Print five more sheets of paper.
-

Printer maintenance when printing on labels

After continuously printing approximately 10,000 pages of labels (or each time you replace the toner cartridge), complete the following steps to maintain printer feeding reliability:

1. Print five sheets of paper.
2. Wait approximately five seconds.
3. Print five more sheets of paper.

Removing options

- [Removing optional printer memory cards](#)
- [Removing the envelope feeder](#)
- [Removing the printer from the duplex unit, removing a duplex unit from a drawer and removing a drawer from another drawer](#)

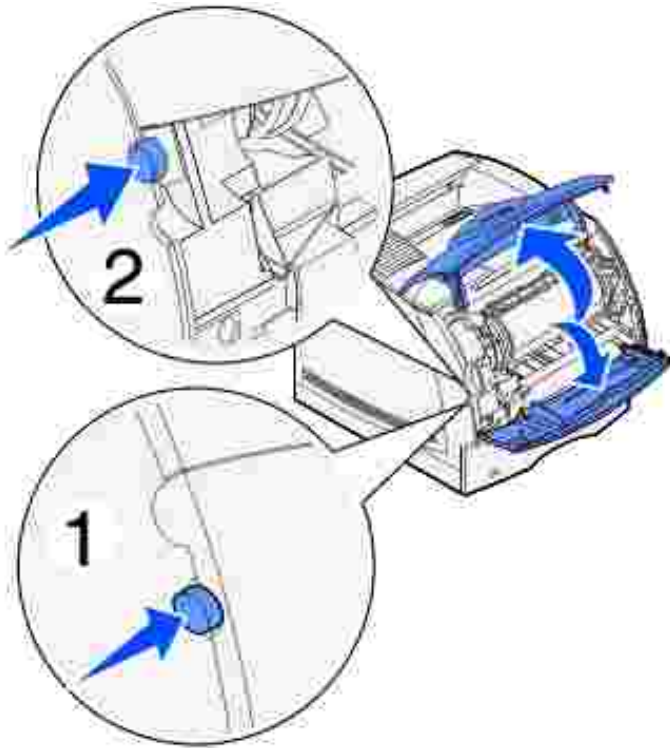
If the printer location needs to change or the printer and print media handling options need to be shipped to a new location, all print media handling options must be removed from the printer. For shipping, pack the printer and print media handling options securely to avoid damage.

The following sections explain how to remove options from the printer that were installed above the printer and how to remove the printer from options installed below it.

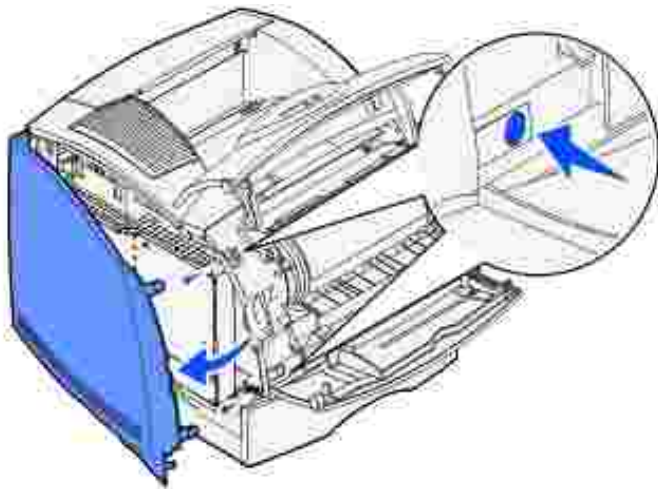
Removing optional printer memory cards

- **NOTICE:** Memory cards are easily damaged by static electricity. Touch something metal on the printer before you touch a card.
- **CAUTION:** Before performing any of the procedures listed below, read and follow the safety instructions in your *Owner's Manual*.


1. Access the system board:
 - a. Turn the printer power off, unplug the printer power cord, and disconnect all cables from the back of the printer.
 - b. Press latch 1 to open the lower door. Press latch 2 to open the upper door.

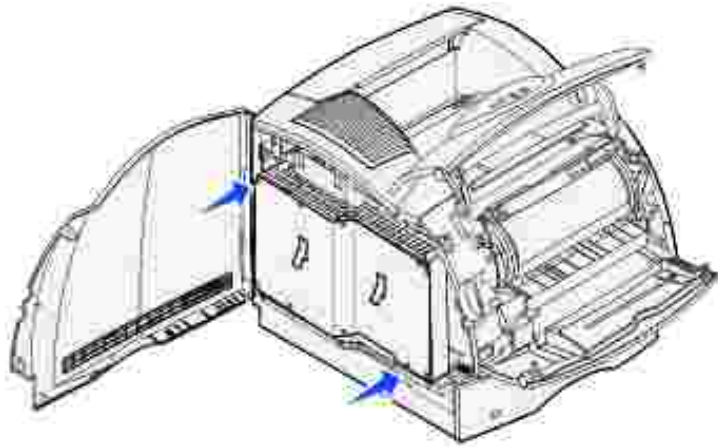


c. Press down on the side door latches and open the side door.

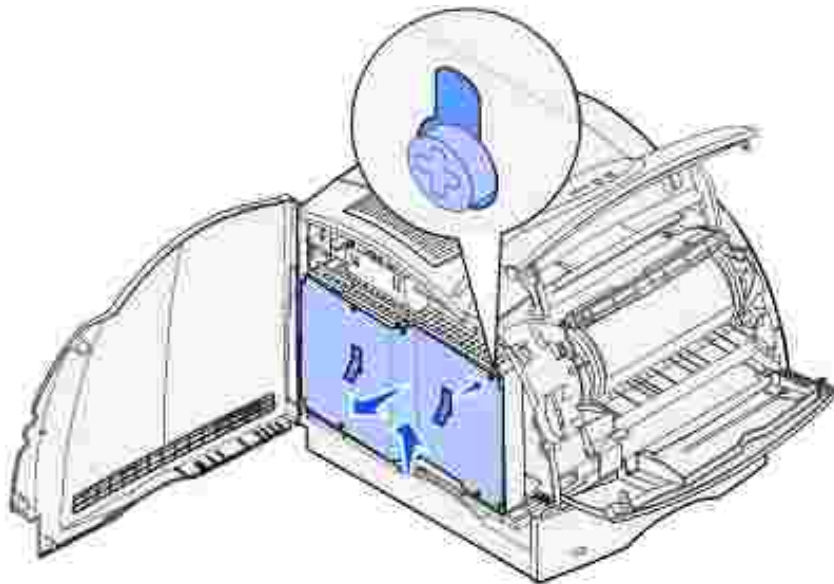


d. Loosen, but do not remove, the six screws on the shield.


 **NOTE:** You need a small Phillips screwdriver to loosen these screws.



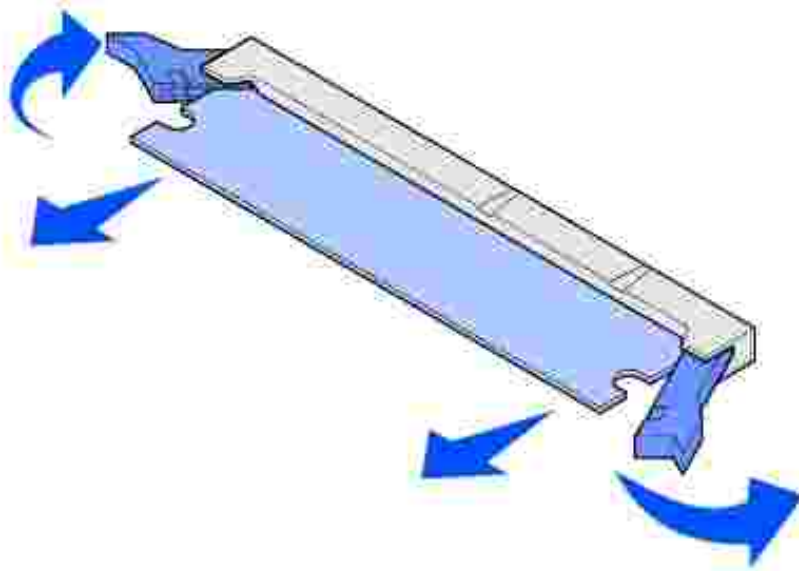
- e. Use the tabs to slide the shield up until the top three screws fit into the three keyholes on the shield.
- f. Hold the shield by the tabs and lift it off.



2. Locate the option card you want to remove.

 **NOTICE:** Electronic components are easily damaged by static electricity. Touch something metal on the printer before you touch the option card.

3. Push each latch out at each end of the connector.
4. Grasp the option card and pull it gently out of the connector.

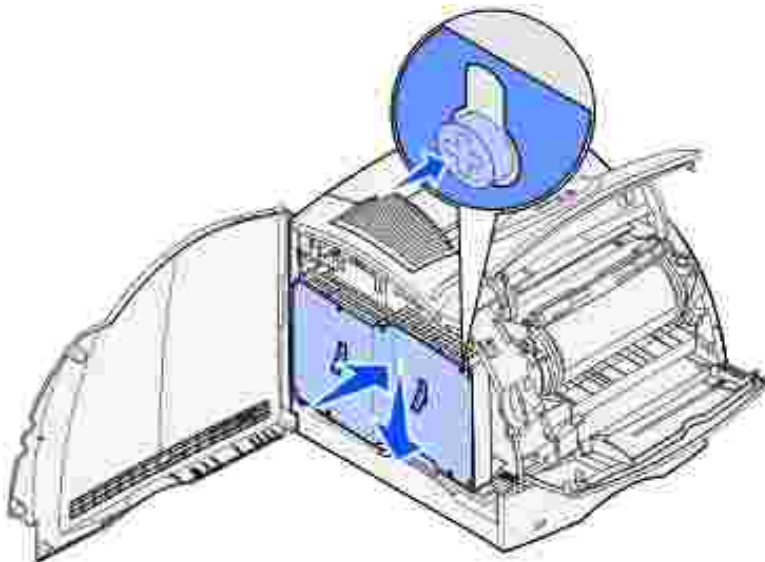


5. Place the card in its original packaging. If you did not save the original packaging, wrap it in paper and store it in a box for protection.
6. If you need to install a replacement optional card on the system board, refer to the *Owner's Manual*.

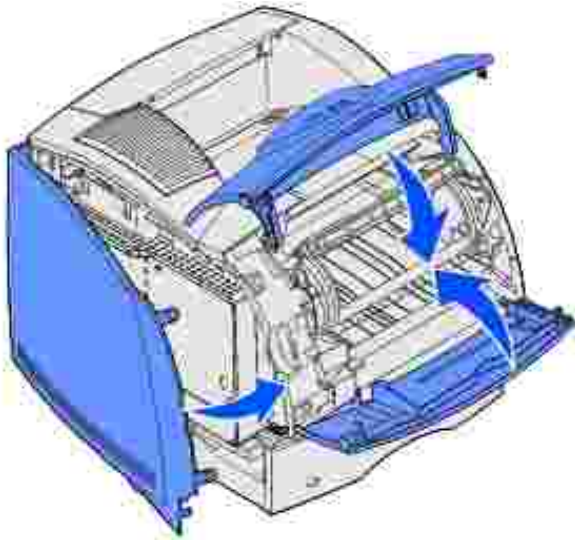
Reattaching the shield and closing the doors

After you have installed any type of option card on the printer system board, follow these instructions to attach the shield and close the doors.

1. Grasp the shield by the tabs and align the three keyholes on the shield with the top three screws. Holding the shield by the tabs, slide it down onto the screws. Tighten all six screws.

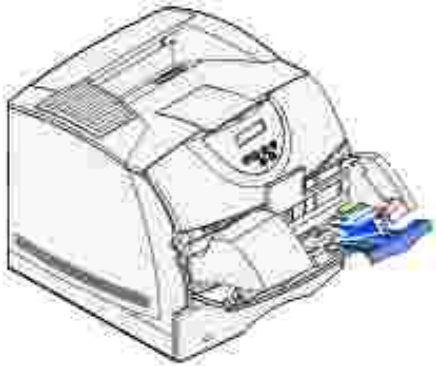


2. Close the side door.
3. Close the upper door, and then the lower door.



Removing the envelope feeder

1. Remove envelopes from the envelope feeder.



2. Push the envelope support to the closed position.




3. Open the printer upper front door.
4. Pull the envelope feeder up slightly and straight out of the printer. Set it aside.




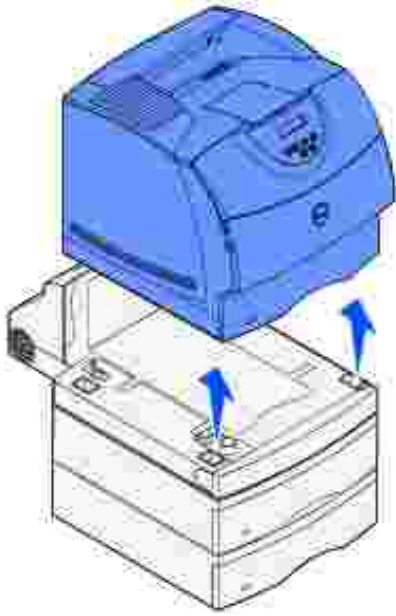
5. Close both front doors.

Removing the printer from the duplex unit, removing a duplex unit from a drawer and removing a drawer from another drawer

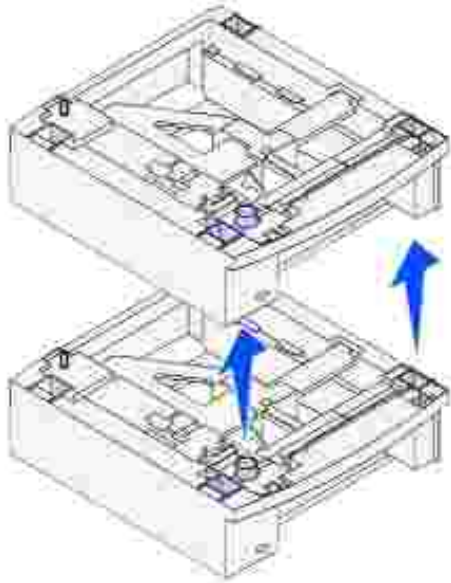
 **NOTE:** These same instructions work for removing the printer from the optional 250- or 500-sheet drawer.

1. Ask someone to help you lift the printer by the handholds and set it aside.

 **CAUTION:** Make sure your fingers are not under the printer when you set it down.



2. Carefully lift the optional drawer straight up until it is completely disconnected from the option below it. Set it aside.



Uninstalling drivers

[Uninstall software utility](#)

The *Drivers and Utilities* CD contains drivers and utilities for your printer and optional devices. Dell ships your computer to you with required drivers and utilities already installed-no further installation or configuration is needed. The CD also has an Uninstall software utility to remove any currently installed printer software or printer objects.

Uninstall software utility

You can access the Uninstall software utility two ways:

1. For Windows XP only: Click Start →Control Panel →Printers and Other Hardware →Printers and Faxes.

For all others: Click Start →Settings →Printers.

- a. Select the printer object to uninstall, and then right-click the mouse.
 - b. Select Dell Software Uninstall.
 - c. Select the components to uninstall, and then click Next.
 - d. Click Uninstall Now.
 - e. Click OK when the uninstall is complete.
2. Click Start →Programs or All Programs →Dell Printers →Dell Laser Printer W5300 →Dell Printer Software Uninstall.
 - a. Select the components to uninstall, and then click Next.
 - b. Click Uninstall Now.
 - c. Click OK when the uninstall is complete.

Printer specifications

- [Dimensions](#)
 - [Memory](#)
 - [Emulation, compatibility, and connectivity](#)
 - [Cartridge and printer life](#)
 - [Environmental](#)
 - [Choosing the right print media](#)
 - [Media types and sizes](#)
 - [Cables](#)
 - [Certifications](#)
-

Dimensions

Height: 421 mm (16.5 in.)

Width: 509 mm (20 in.)

Depth: 384 mm (15.1 in.)

Weight (including cartridge): 18.5 kg (40.8 lb)

Memory

Base memory	80 MB
Maximum memory	336 MB

Emulation, compatibility, and connectivity

Emulations	PostScript 3, PCL 6	
Compatibility	Windows 95/98/Me, Windows 2000, Windows NT 4.0, Windows XP, UNIX, Linux	
Connectivity	Standard local:	USB
	Standard network:	10/100BaseTx Ethernet

MIB compatibility

A Management Information Base (MIB) is a database containing information about network devices (such as adapters, bridges, routers, or computers). This information helps network administrators manage the network (analyze performance, traffic, errors, and so on). The Dell Workgroup Laser Printer W5300 complies with standard industry MIB specifications, allowing the printer to be recognized and managed by various printer and network management software systems, such as Dell OpenManage™, IT Assistant, Hewlett-Packard OpenView, CA Unicenter, Hewlett-Packard Web JetAdmin, Lexmark MarkVision Professional, and so on.

Cartridge and printer life

Ships with toner cartridge yield at approximately 5% coverage	18,000 pages
Optional toner cartridge yield at approximately 5% coverage	18,000 pages and 27,000 pages
Duty cycle (maximum)	225,000 pages/month
Printer life	1,000,000 pages

Environmental

Humidity

Temperature	Relative humidity (non-condensing)
16° to 32°C (60° to 90°F)	8% to 80%

Storage

Temperature range: -40°F to 110°F (-40°C to 43°C)

Unpacked humidity range: 5% RH to 80% RH (non-condensing)

Storage (packed) humidity range: 5% RH to 95% RH (non-condensing)


Altitude

Operating: up to 3,048 m (10,000 feet)

Storage (packed): 0.25 atmospheric pressure (equivalent to 10,300 m or 34,000 feet)

Choosing the right print media

Selecting the right paper or other media reduces printing problems. For best print quality, try a sample of the print media you are considering before buying large quantities.

 **NOTICE:** Your product uses a printing process that heats the print media, and heat can cause certain media to release emissions. You must understand the section in your operating instructions that discusses the guidelines for selecting appropriate print media to avoid the possibility of harmful emissions.

- Use 20 lb (75 g/m²) xerographic paper.
 - Use transparencies designed for laser printers.
 - Use envelopes made from 24 lb (90 g/m²) bond paper. To reduce paper jams, do not use envelopes that:
 - Have excessive curl
 - Are stuck together
 - Are damaged in any way
 - Contain windows, holes, perforations, cutouts, or embossing
 - Use metal clasps, string ties, or metal folding bars
 - Have postage stamps attached
 - Have any exposed adhesive when the flap is in the sealed position
 - Do not use labels that have exposed adhesive on the sheets.
 - Do not print a large number of labels continuously.
 - Use card stock with a maximum weight of 163 g/m² and a minimum size of 76.2 x 127 mm (3 x 5 in.).
-

Media types and sizes



Source	Print media supported	Sizes supported	Weight	Capacity
Tray 1 (standard 500-sheet tray)	Paper, card stock, transparencies	A4, A5, JIS B5, letter, legal, executive, folio ¹ , statement ¹ , universal ²	Paper: 60–176 g/m ² grain long (16–47 lb bond) Card Stock: 163 g/m ² (90 lb), 163 g/m ² (100 lb), 176 g/m ² (65 lb)	500 sheets of paper 450 transparencies
Optional 250-sheet drawer	Paper, card stock, transparencies	A4, A5, JIS B5, letter, legal, executive, folio ¹ , statement ¹ , universal ²	Paper: 60–135 g/m ² grain long (16–36 lb bond) Card Stock: 120 g/m ² (67 lb), 120 g/m ² (74 lb), 135 g/m ² (60 lb)	250 sheets of paper 225 transparencies
Optional 500-sheet drawer	Paper, card stock, transparencies	A4, A5, JIS B5, letter, legal, executive, folio ¹ , statement ¹ , universal ²	Paper: 60–176 g/m ² grain long (16–47 lb bond) Card Stock: 163 g/m ² (90 lb), 163 g/m ² (100 lb), 176 g/m ² (65 lb)	500 sheets of paper 450 transparencies
Multipurpose feeder	Paper, card stock, transparencies, envelopes	A4, A5, JIS B5, letter, legal, executive, folio ¹ , statement ¹ , universal ² ,	Paper: 60–135 g/m ² grain long (16–36 lb bond) Card Stock: 120 g/m ² (67 lb), 120 g/m ² (74 lb), 135 g/m ² (60 lb)	100 sheets of paper 10 envelopes Other - varies depending on weight and type of media
Optional envelope feeder	Envelopes	7 3/4, 9, 10, DL, C5, B5, Other envelope ¹	60 to 105 g/m ² (16 to 28 lb bond) ^{3, 4}	85 envelopes
Optional duplex unit	Paper, card stock	A4, A5, JIS B5, letter, legal, executive, folio ¹		N/A

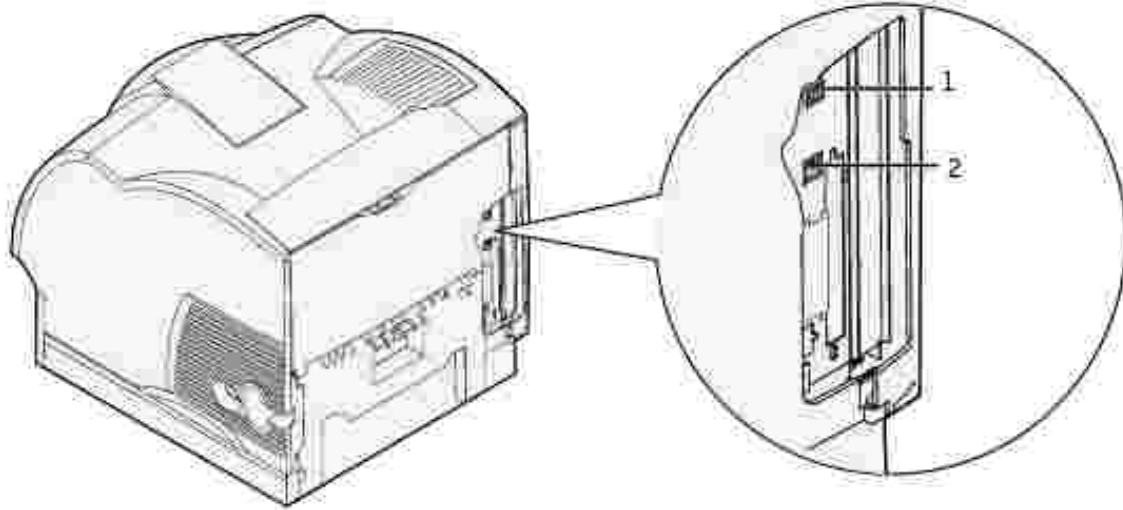
¹ This size does not appear in the Paper Size menu until Tray Size Sensing is turned off.

² This size setting formats the page for 215.9 x 355.6mm (8.5 x 14 in) unless the size is specified by the software application.

Cables

Your Dell Workgroup Laser Printer W5300 interconnection cable must meet the following requirements:

	Connection	Cable certification	
1	USB	USB 2.0	
2	10/100BaseT Ethernet	CAT-5E	




Certifications

- Novell
- USB-IF

Safety and Regulatory Information

- [Safety Information](#)
 - [Regulatory Information](#)
 - [Noise Emissions Levels](#)
 - [Laser Notice](#)
 - [Energy Star](#)
-

Safety Information

 **CAUTION:** Read and follow all safety instructions in your Owner's Manual prior to setting up and operating your printer.

Regulatory Information

Federal Communications Commission (FCC) compliance information statement (US only)


The Dell Workgroup Laser Printer W5300 has been tested and found to comply with the limits for a Class B digital device, pursuant to Part 15 of the FCC Rules. Operation is subject to the following two conditions: (1) this device may not cause harmful interference, and (2) this device must accept any interference received, including interference that may cause undesired operation.

The FCC Class B limits are designed to provide reasonable protection against harmful interference in a residential installation. This equipment generates, uses and can radiate radio frequency energy and, if not installed and used in accordance with the instructions, may cause harmful interference to radio communications. However, there is no guarantee that interference will not occur in a particular installation. If this equipment does cause harmful interference to radio or television reception, which can be determined by turning the equipment off and on, the user is encouraged to try to correct the interference by one or more of the following measures:

- Reorient or relocate the receiving antenna.
- Increase the separation between the equipment and receiver.
- Connect the equipment into an outlet on a circuit different from that to which the receiver is connected.
- Consult your point of purchase or service representative for additional suggestions.

The manufacturer is not responsible for any radio or television interference caused by using other than recommended cables or by unauthorized changes or modifications to this equipment. Unauthorized changes

or modifications could void the user's authority to operate this equipment.

 **NOTE:** To assure compliance with FCC regulations on electromagnetic interference for a Class B computing device, use a properly shielded and grounded cable. Use of a substitute cable not properly shielded and grounded may result in a violation of FCC regulations.

Industry Canada compliance statement

This Class B digital apparatus meets all requirements of the Canadian Interference-Causing Equipment Regulations.

Avis de conformité aux normes de l'industrie du Canada

Cet appareil numérique de la classe B respecte toutes les exigences du Règlement sur le matériel brouilleur du Canada.

European Community (EC) directives conformity

With a network cable attached


This product is in conformity with the protection requirements of EC Council directives 89/336/EEC and 73/23/EEC on the approximation and harmonization of the laws of the Member States relating to electromagnetic compatibility and safety of electrical equipment

This product satisfies the Class A limits of EN 55022 and safety requirements of EN 60950.

Without a network cable attached

This product is in conformity with the protection requirements of EC Council directives 89/336/EEC and 73/23/EEC on the approximation and harmonization of the laws of the Member States relating to electromagnetic compatibility and safety of electrical equipment designed for use within certain voltage limits.

This product satisfies the Class B limits of EN 55022 and safety requirements of EN 60950.

 **NOTICE:** When a print server is installed, this is a Class A product. In a domestic environment, this product may cause radio interference, in which case, the user may be required to take adequate measures.

The United Kingdom Telecommunications Act 1984

This apparatus is approved under the approval number NS/G/1234/J/100003 for the indirect connections to the public telecommunications systems in the United Kingdom.

Noise Emissions Levels

The following measurements were made in accordance with ISO 7779 and reported in conformance with ISO 9296.

1-meter average sound pressure, dBA	
Duplex Printing	58 dBA
Simplex Printing	55 dBA
Idling	34 dBA

Laser Notice

The printer is certified in the U.S. to conform to the requirements of DHHS 21 CFR Subchapter J for Class I (1) laser products, and elsewhere is certified as a Class I laser product conforming to the requirements of IEC 60825-1.

Class I laser products are not considered to be hazardous. The printer contains internally a Class IIIb (3b) laser that is nominally a 5 milliwatt gallium arsenide laser operating in the wavelength region of 770-795 nanometers. The laser system and printer are designed so there is never any human access to laser radiation above a Class I level during normal operation, user maintenance, or prescribed service condition.

Class I laser products are not considered to be hazardous. The printer contains internally a Class IIIb (3b) laser that is nominally a 5 milliwatt gallium arsenide laser operating in the wavelength region of 770-795 nanometers. The laser system and printer are designed so there is never any human access to laser radiation above a Class I level during normal operation, user maintenance, or prescribed service condition.

Energy Star



The EPA ENERGY STAR Office Equipment program is a partnership effort with office equipment manufacturers to promote the introduction of energy-efficient products and to reduce air pollution caused by power generation.

Companies participating in this program introduce products that power down when they are not being used. This feature will cut the energy used by up to 50 percent. Dell is proud to be a participant in this program.

As an ENERGY STAR Partner, Dell Computer Corporation has determined that this product meets the ENERGY STAR guidelines for energy efficiency.

Appendix

- [Dell technical support policy](#)
 - [Contacting Dell](#)
 - [Warranty and Return Policy](#)
-

Dell technical support policy

Technician-assisted technical support requires the cooperation and participation of the customer in the troubleshooting process and provides for restoration of the Operating System, application software and hardware drivers to the original default configuration as shipped from Dell, as well as the verification of appropriate functionality of the printer and all Dell-installed hardware. In addition to this technician assisted technical support, online technical support is available at Dell Support. Additional technical support options may be available for purchase.

Dell provides limited technical support for the printer and any Dell-installed software and peripherals. Support for third-party software and peripherals is provided by the original manufacturer, including those purchased and/or installed through Software & Peripherals (DellWare), ReadyWare, and Custom Factory Integration (CFI/DellPlus).

Contacting Dell

You can access Dell Support at support.dell.com. Select your region on the WELCOME TO DELL SUPPORT page, and fill in the requested details to access help tools and information.

You can contact Dell electronically using the following addresses:

- World Wide Web
www.dell.com/
www.dell.com/ap/ (for Asian/Pacific countries only)
www.euro.dell.com (for Europe only)
www.dell.com/la/ (for Latin American countries)
- Anonymous file transfer protocol (FTP)
[ftp.dell.com/](ftp://ftp.dell.com/)
Log in as user: anonymous, and use your email address as your password.
- Electronic Support Service
mobile_support@us.dell.com
support@us.dell.com
apsupport@dell.com (for Asian/Pacific countries only)
support.euro.dell.com (for Europe only)
- Electronic Quote Service
sales@dell.com
apmarketing@dell.com (for Asian/Pacific countries only)

- Electronic Information Service
info@dell.com
-

Warranty and Return Policy

Dell Computer Corporation ("Dell") manufactures its hardware products from parts and components that are new or equivalent to new in accordance with industry-standard practices. For information about the Dell warranty for your printer, refer to the *Owner's Manual*.

Licensing notice

The printer resident software contains:

- Software developed and copyrighted by Dell and/or third parties
- Dell modified software licensed under the provisions of the GNU General Public License version 2 and the GNU Lesser General Public License version 2.1
- Software licensed under the BSD license and warranty statements

Click the title of the document you want to review:

- [BSD License and Warranty statements](#)
- [GNU License](#)

The Dell modified GNU licensed software is free software; you can redistribute it and/or modify it under the terms of the licenses referenced above. These licenses do not provide you any rights to the Dell- or third-party-copyrighted software in this printer.

Since the GNU licensed software that the Dell modifications are based upon is supplied explicitly without warranty, use of the Dell modified version is similarly provided without warranty. See the warranty disclaimers in the referenced licenses for additional details.

To obtain source code files for the Dell modified GNU licensed software, launch the *Drivers and Utilities* CD that shipped with your printer and click Contact Dell.